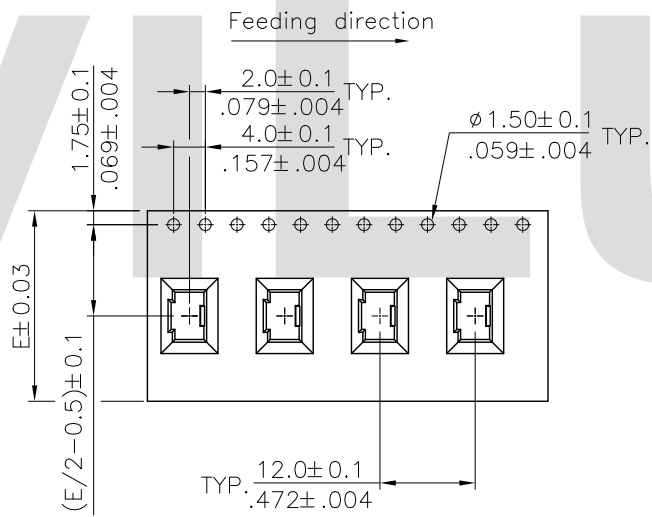
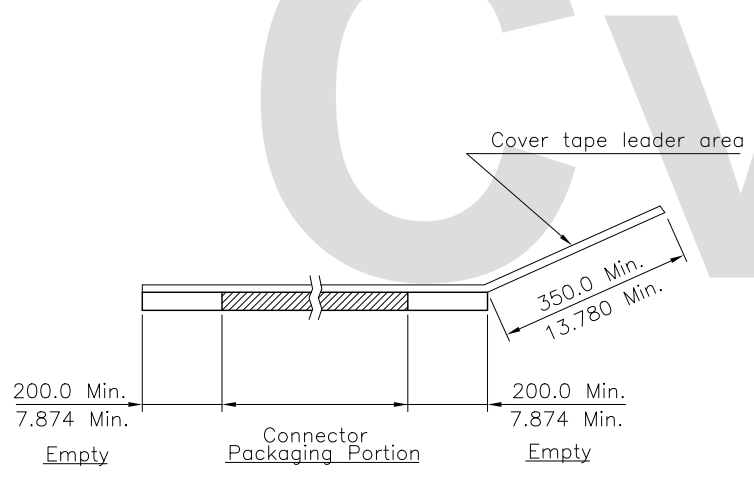
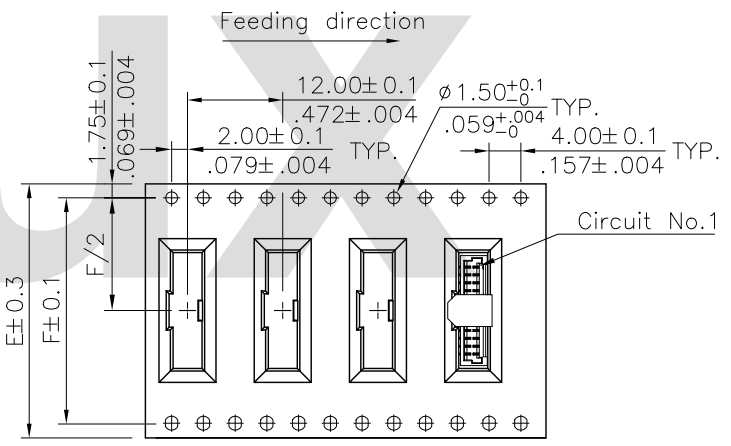


- NOTES:
1. 10 sprocket hole pitch cumulative tolerance ± 0.20
 2. Carrier camber is within 1 mm in 250 mm.
 3. Material :Transparent ps.
 4. All dimensions meet EIA-481-B requirements.
 5. Thickness : 0.35 ± 0.05 mm.
 6. Packing length per 22" Reel : 67.2 Meters.
 7. Component load per 13" Reel : 1000 pcs.

Circuits (0.5mm Pitch)	Dimension					Packing (Reel/Caton)
	E	F	W1	W2	W3	
2-5	16.0(.630)	—	16.5(.650)	22.5(.885)	16.5(.650)	11
6-13	24.0(.945)	—	24.5(.965)	30.5(1.200)	24.5(.965)	9
14-17	32.0(1.260)	28.4(1.118)	32.5(1.280)	38.5(1.516)	32.5(1.280)	7
18-20	44.0(1.732)	40.4(1.596)	44.5(1.752)	50.5(1.988)	44.5(1.751)	5



WIDTH : 16,24 mm Carrier



WIDTH : 32,44 mm Carrier

RoHS Compliant

4					DATE	UNIT: mm / inch	TITLE: 1.00MM(.039") WIRE TO BOARD CONNECTOR	瀚荃股份有限公司 CviLux Corporation			
3					DRAWN BY: Hank	TOLERANCE UNLESS OTHERWISE SPECIFIED	MATERIAL:				
2					ENGINEER: Easley	.X ± .X' ± ' "	CUSTOMER:	SCALE	SHEET 2 OF 2		
1					CHECKED BY: Easley	.XX ± .X' ±					
SYM	NAME	DATE	REVISIONS	APPROVED BY: David	8/22-13'	.XXX ± .X' ±					