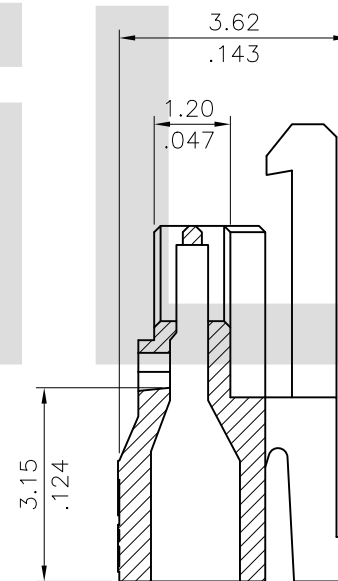
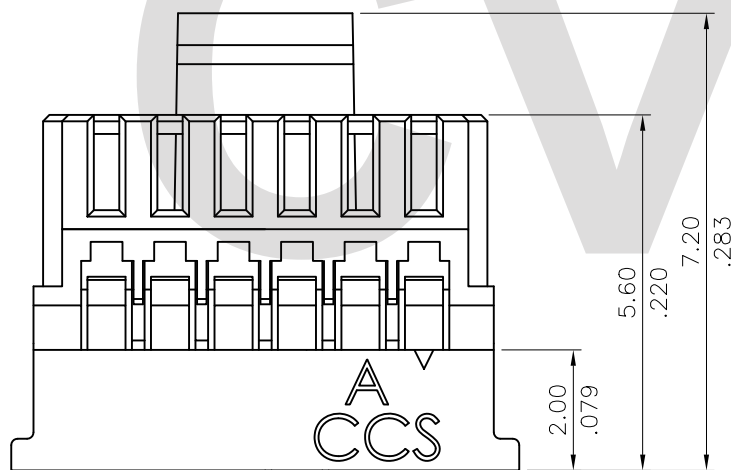


Material:
 NYLON 66 UL 94V-0,
 Color Nature

Ordering Code

$\frac{CI16}{①}$
 $\frac{**}{②}$
 $\frac{S}{③}$
 $\frac{L}{④}$
 $\frac{00A}{⑤}$
 $\frac{-NH}{⑥}$

- ① Series No.
- ② No. of Circuits: 2~20 Pin
- ③ S= Connector housing
- ④ L= With Locking Latch
- ⑤ Other option:
00A= TYPE 1
- ⑥ Other option:
-NH= Halogen-Free



DIM. A = 1.00 x NO. OF SPACES
 DIM. B = DIM. A + 2.20
 DIM. C = DIM. A + 1.50
 * AVAILABLE IN 2 THROUGH 20

Halogen-Free
 RoHS Compliant

CVILUX CORP
 2013.10.04
 ISSUED

④					DATE	UNIT: mm / inch	TITLE: CI16 SERIES HOUSING	 瀚荃股份有限公司 CviLux Corporation
③				DRAWN BY:	Hank	8/28-13'	MATERIAL:	
②				ENGINEER:	Eisley	8/29-13'		
①				CHECKED BY:	Eisley	8/29-13'	DRAWING NO. CI1605SA	
SYM	NAME	DATE	REVISIONS	APPROVED BY:	David	8/30-13'	SCALE 8 / 1	SHEET 1 OF 1

TOLERANCE UNLESS OTHERWISE SPECIFIED	
.X ± 0.25/.010	X' ± 1'
.XX ± 0.15/.006	.X' ±
.XXX ± 0.05/.002	.XX' ±