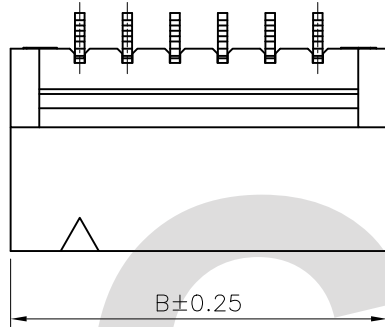
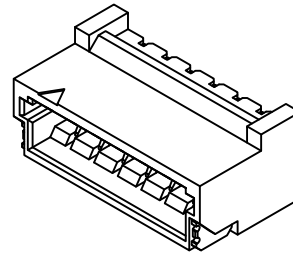


Material:

Base: High temperature plastic UL 94V-0, Color Nature

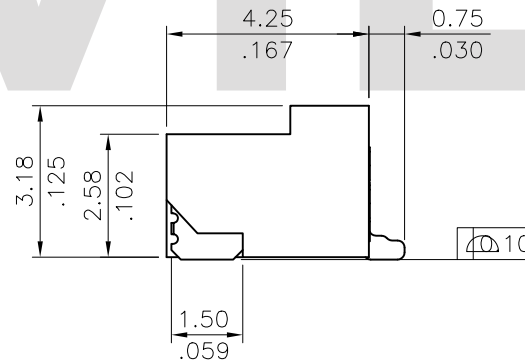
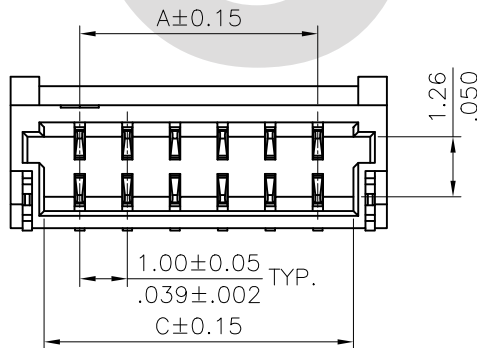
Contact: Copper alloy

Tab: Copper alloy with Matte Tin plated



DIM. A = 1.00 x NO. OF SPACES
 DIM. B = DIM. A + 2.90
 DIM. C = DIM. A + 1.55

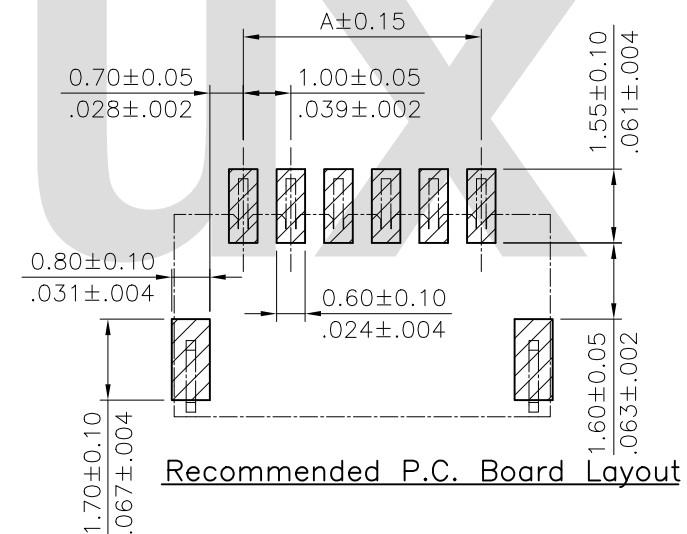
* AVAILABLE IN 2 THROUGH 20 CIRCUITS



Ordering Code:

CI16 ** M 1 H R 0 - NH
 ① ② ③ ④ ⑤ ⑥ ⑦ ⑧

- ① Series No.
- ② No. of Circuits: 02~20 Pin
- ③ M= SMT type header
- ④ Plating: 1= 3.05um(120u") ~ 4.88um(192u")
Matte Tin over 1.27um(50u") Nickel
- ⑤ Type: H= Side Entry
- ⑥ Packing Options: R= Tape & Reel packing
- ⑦ Option: 0 = Standard
- ⑧ Other option:
-NH= For Lead Free IR Processes and Halogen-Free



Halogen-Free

Lead Free Process

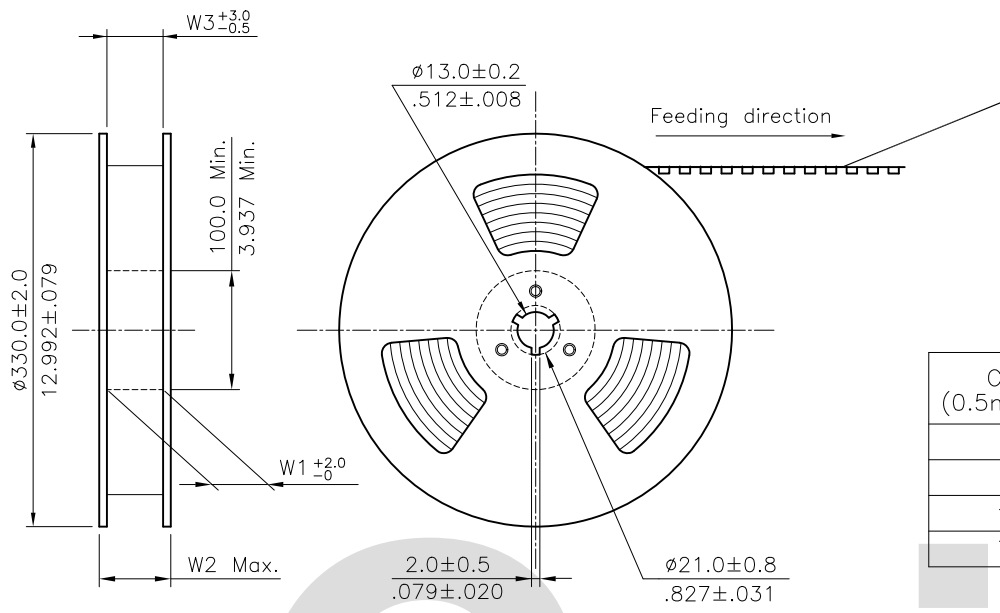
RoHS Compliant

④					DATE	UNIT: mm / inch	TITLE: 1.00MM(.039") WIRE TO BOARD CONNECTOR
③					DRAWN BY: Hank	8/26-13'	TOLERANCE UNLESS OTHERWISE SPECIFIED .X ± 0.25/.010 X' ± 1' .XX ± 0.15/.006 .X' ± .XXX ± 0.05/.002 .XX' ±
②					ENGINEER: Eisley	8/29-13'	
①					CHECKED BY: Eisley	8/29-13'	
SYM	NAME	DATE	REVISIONS	APPROVED BY: David	8/29-13'		



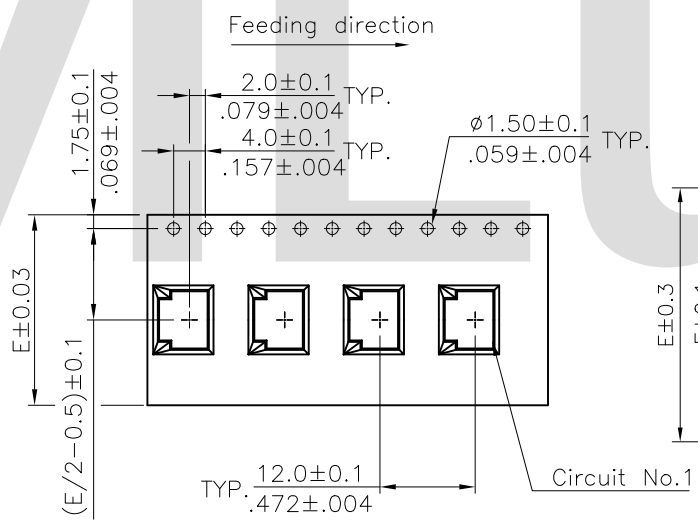
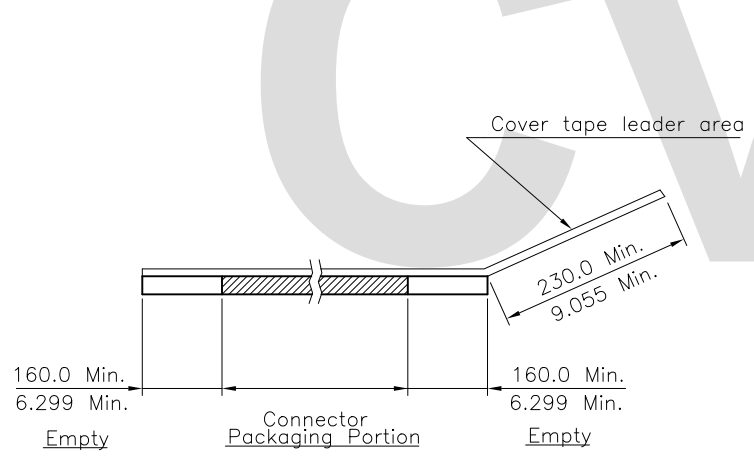
瀚荃股份有限公司
CviLux Corporation

DRAWING NO.	CI1603SA	PART NO.	CI16**M1HR0-NH
SCALE	6 / 1	SHEET	1 OF 2

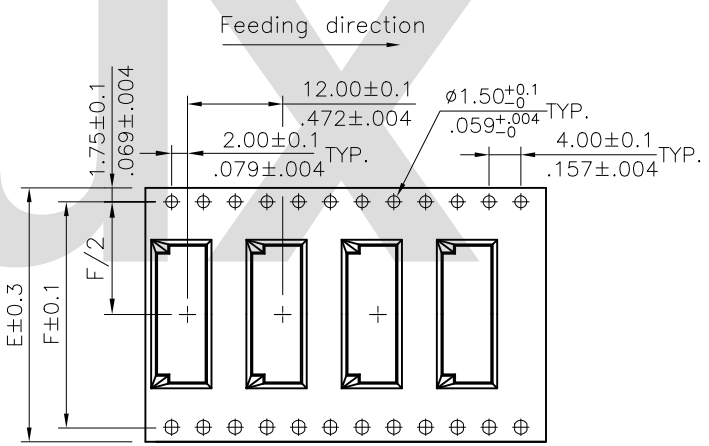


- NOTES:
1. 10 sprocket hole pitch cumulative tolerance ± 0.20
 2. Carrier camber is within 1 mm in 250 mm.
 3. Material :Transparent ps.
 4. All dimensions meet EIA-481-B requirements.
 5. Thickness : 0.35 ± 0.05 mm.
 6. Packing length per 22" Reel : 55.0 Meters.
 7. Component load per 13" Reel : 1600 pcs.

Circuits (0.5mm Pitch)	Dimension					Packing (Reel/Caton)
	E	F	W1	W2	W3	
2-5	16.0(.630)	—	16.5(.650)	22.5(.885)	16.5(.650)	11
6-13	24.0(.945)	—	24.5(.965)	30.5(1.200)	24.5(.965)	9
14-17	32.0(1.260)	28.4(1.118)	32.5(1.280)	38.5(1.516)	32.5(1.280)	7
18-20	44.0(1.732)	40.4(1.596)	44.5(1.752)	50.5(1.988)	44.5(1.751)	5



WIDTH : 16,24 mm Carrier



WIDTH : 32,44 mm Carrier

RoHS Compliant

4					DATE	UNIT: mm / inch	TITLE: 1.00MM(.039") WIRE TO BOARD CONNECTOR	 瀚荃股份有限公司 CviLux Corporation	
3				DRAWN BY: Hank	8/26-13'	TOLERANCE UNLESS OTHERWISE SPECIFIED			MATERIAL:
2				ENGINEER: Eisley	8/29-13'	.X ±	.X' ±		
1				CHECKED BY: Eisley	8/29-13'	.XX ±	.X ±		CUSTOMER:
SYM	NAME	DATE		APPROVED BY: David	8/29-13'	.XXX ±	.XX ±		
REVISIONS					SCALE	DRAWING NO. CI1603SA	PART NO. CI16**M1HR0-NH	SHEET 2 OF 2	