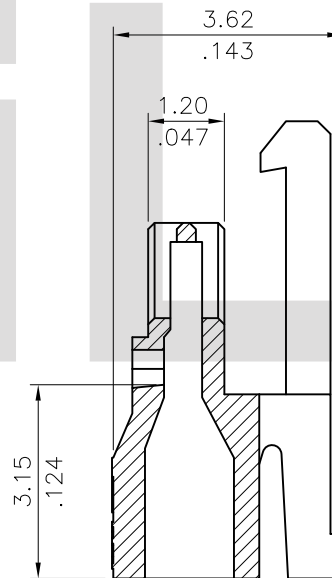
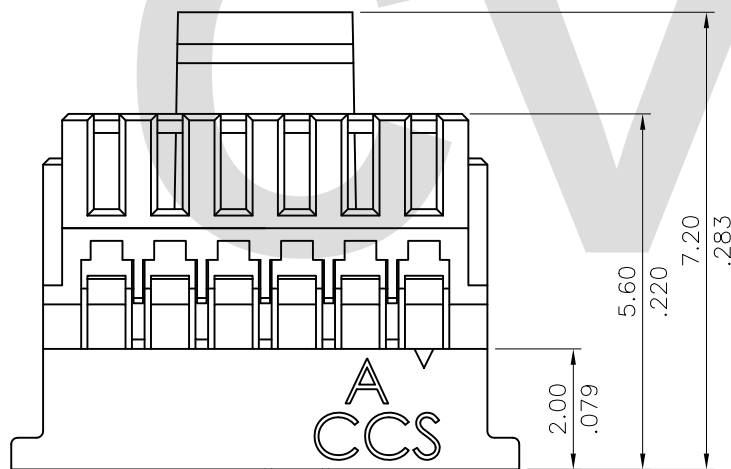


Material:
 NYLON 66 UL 94V-0,
 Color Nature

Ordering Code

$\frac{CI16}{①}$ $\frac{**}{②}$ $\frac{S}{③}$ $\frac{L000}{④}$ $\frac{-NH}{⑤}$

- ① Series No.
- ② No. of Circuits: 2~20 Pin
- ③ S= Connector housing
- ④ Other option:
L000= With Locking Latch
- ⑤ Other option:
-NH= Halogen-Free



DIM. A = 1.00 x NO. OF SPACES
 DIM. B = DIM. A + 2.00
 DIM. C = DIM. A + 1.50
 * AVAILABLE IN 2 THROUGH 20

Halogen-Free
 RoHS Compliant

CVILUX CORP
 2013.10.04
 ISSUED

④					DATE	UNIT: mm / inch	TITLE:	 瀚荃股份有限公司 CviLux Corporation	
③					DRAWN BY: Hank	8/28-13'	TOLERANCE UNLESS OTHERWISE SPECIFIED		C16 SERIES HOUSING
②					ENGINEER: Eisley	8/29-13'			
①					CHECKED BY: Eisley	8/29-13'	.XX ± 0.15/.006 .X' ±		DRAWING NO. CI1602SA PART NO. CI16**SL000-NH
SYM	NAME	DATE	REVISIONS	APPROVED BY: David	8/30-13'	.XXX ± 0.05/.002 .XX' ±	FINISH:		SCALE 8 / 1 SHEET 1 OF 1