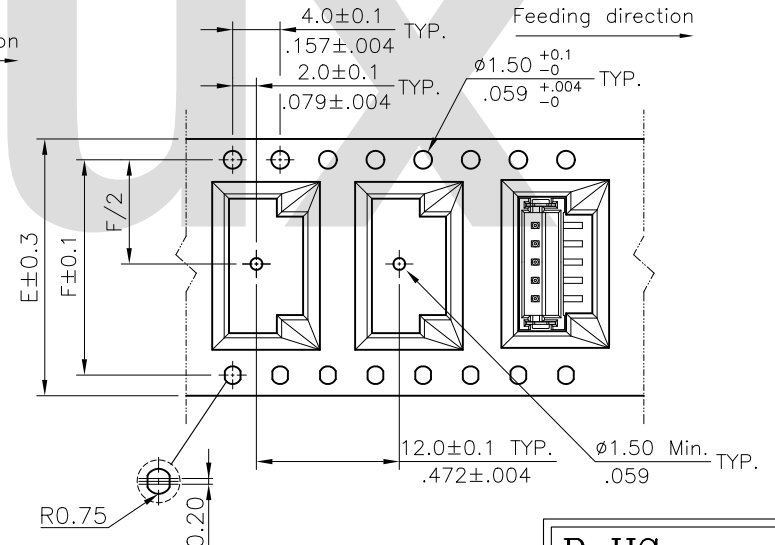
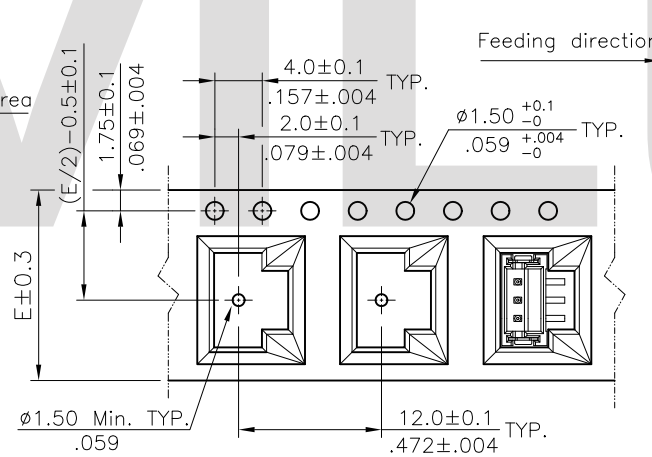
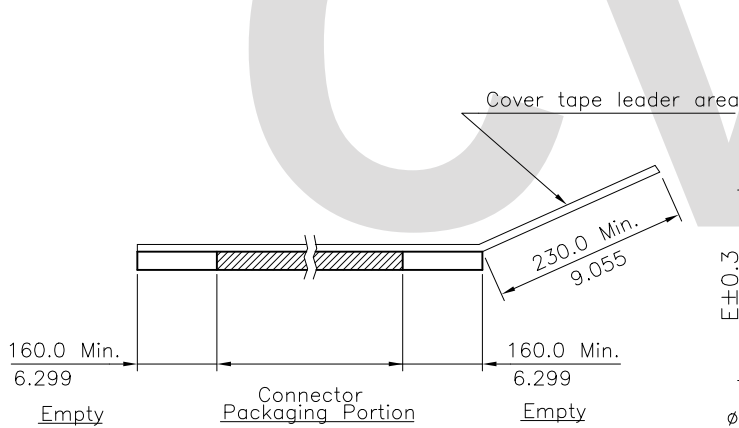


NOTE :

- △ * Reel Material : Corrugated Paper
- * Carrier Material : Clear, Conductive Polystyrene Alloy
- * Cover Tape Material : Polyester
- * Cover Tape Peel Strength : 0.1N – 1.3N
- * Carrier camber is within 1mm in 100mm
- * All dimensions meet EIA-481-2 & EIA-481-3 requirements.
- * Quantity : 900 PCS/Reel

Circuits	Dimension					Packing (Reel/Carton)
	E	F	W1	W2	W3	
2-3	16.0(.630)	-----	16.5(.650)	22.5(.886)	16.5(.650)	11
4-7	24.0(.945)	-----	24.5(.965)	30.5(1.201)	24.5(.965)	9
8-11	32.0(1.260)	28.4(1.118)	32.5(1.280)	38.5(1.516)	32.5(1.280)	7
12-15	44.0(1.732)	40.4(1.596)	44.5(1.752)	50.5(1.988)	44.5(1.752)	5



WIDTH : 16,24 mm Carrier

WIDTH : 32,44 mm Carrier

RoHS Compliant

REV	SYMBOL	DATE	DESCRIPTION	APPROVED BY	DATE	UNIT	TITLE	DRAWING NO.	PART NO.	SHEET	OF	PAGE		
4						mm / inch	1.50MM(.059") Sraight SMT Type Header						CI1529SC	CI15**M1V*0-NH
3						TOLERANCE UNLESS OTHERWISE SPECIFIED		SCALE	SHEET	2	OF	2		
2	Enya	9/11-13'	ECNT113054/ECRH113002	CVILUX CORP 2013.10.04 ISSUED	2013.10.04	.X ±	X' ± I'						FINISH:	SCALE
1	Sun	9/22-11'	ECR11039-2/ECN11060			.XX ±	.X' ±	FINISH:	SCALE	SHEET	2	OF		
						.XXX ±	.XX' ±							

