

ORDERING CODE

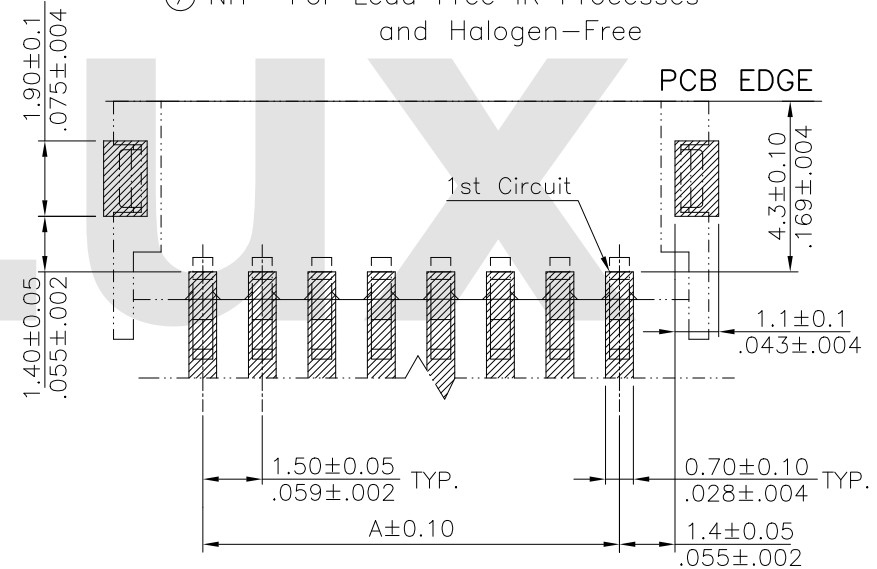
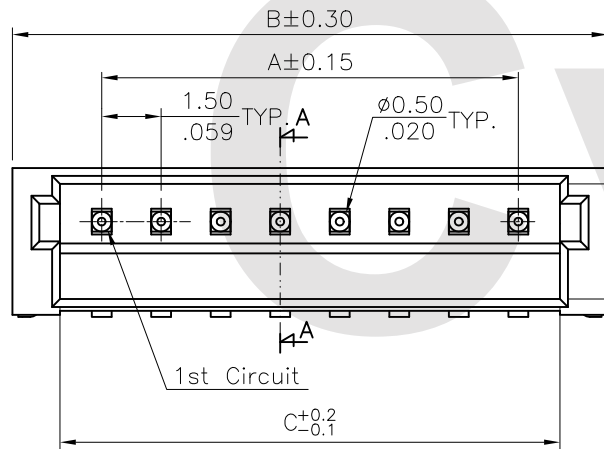
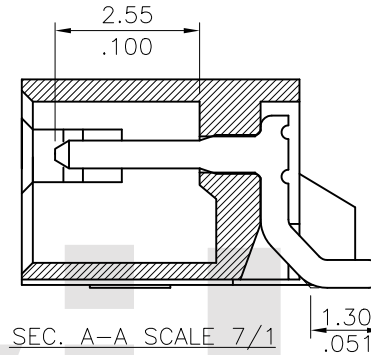
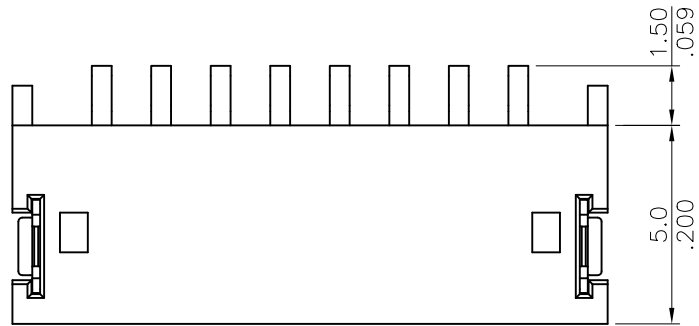
CI15 ** M 1 H R0 -NH
 ① ② ③ ④ ⑤ ⑥ ⑦

- ① Series No.
- ② Contacts: 02 to 15
- ③ M= SMT type header
- ④ Plating:
 1= 100μ" Min. Tin Plated
 over 50μ" Nickel (Matte Tin Finish)
- ⑤ Type: H= Right angle
- ⑥ Other option:
 R0= Tape & reel packing (Standard)
 T0= Tube packing
- ⑦ NH= For Lead Free IR Processes
 and Halogen-Free

Material:

Insulator: High temperature plastic
 UL 94V-0 ,Color Nature

Contact: Brass with Matte Tin plated
 Tab: Brass with Matte Tin plated



Recommended P.C. Board Layout


DIM. A = 1.50 x NO. OF SPACES
 DIM. B = DIM. A + 4.5
 DIM. C = DIM. A + 2.1

* AVAILABLE IN 2 THROUGH 15 CIRCUITS

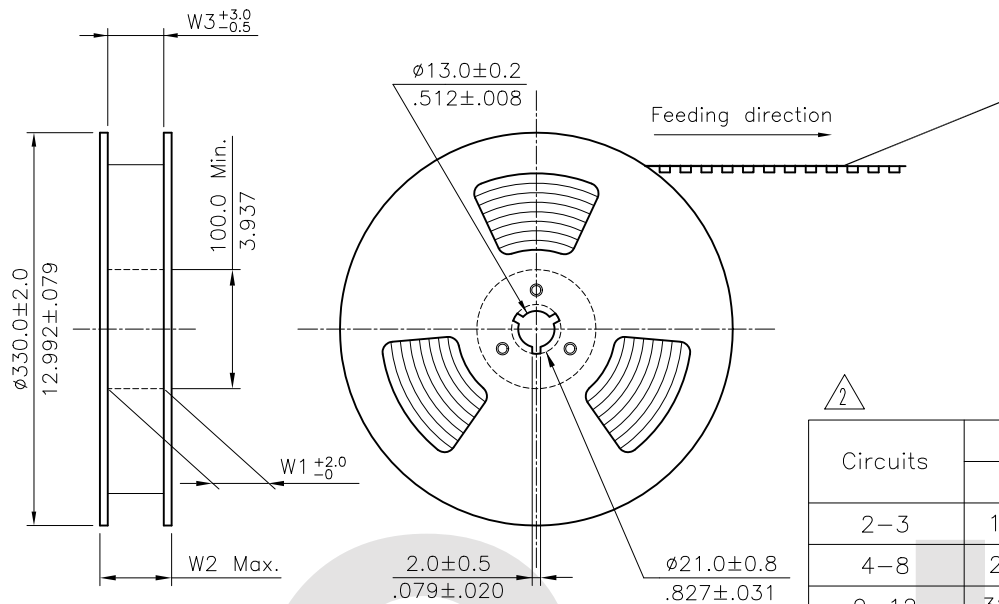
Halogen-Free

Lead Free Process

RoHS compliant

④					DATE	UNIT: mm / inch	TITLE: 1.50MM(.059") Right Angle SMT Type Header	 瀚荃股份有限公司 CviLux Corporation
③	Sun	7/05-16'	ECRH116023/ECNT116141	DRAWN BY: Sun	7/5-16'	TOLERANCE UNLESS OTHERWISE SPECIFIED	MATERIAL:	
②	Enya	9/11-13'	ECNT113054/ECRH113002	ENGINEER: Sun	7/5-16'	.X ± 0.30/.012 X' ± 1'	FINISH:	
①	Sun	9/22-11'	ECR11039-2/ECN11060	CHECKED BY: Eisley	7/6-16'	.XX ± 0.20/.008 X' ±	DRAWING NO. CI1527SD PART NO. CI15**M1H*0-NH	
SYM	NAME	DATE	REVISIONS	APPROVED BY: Eisley	7/6-16'	.XXX ± 0.10/.004 XX' ±	SCALE 5 / 1 SHEET 1 OF 2	

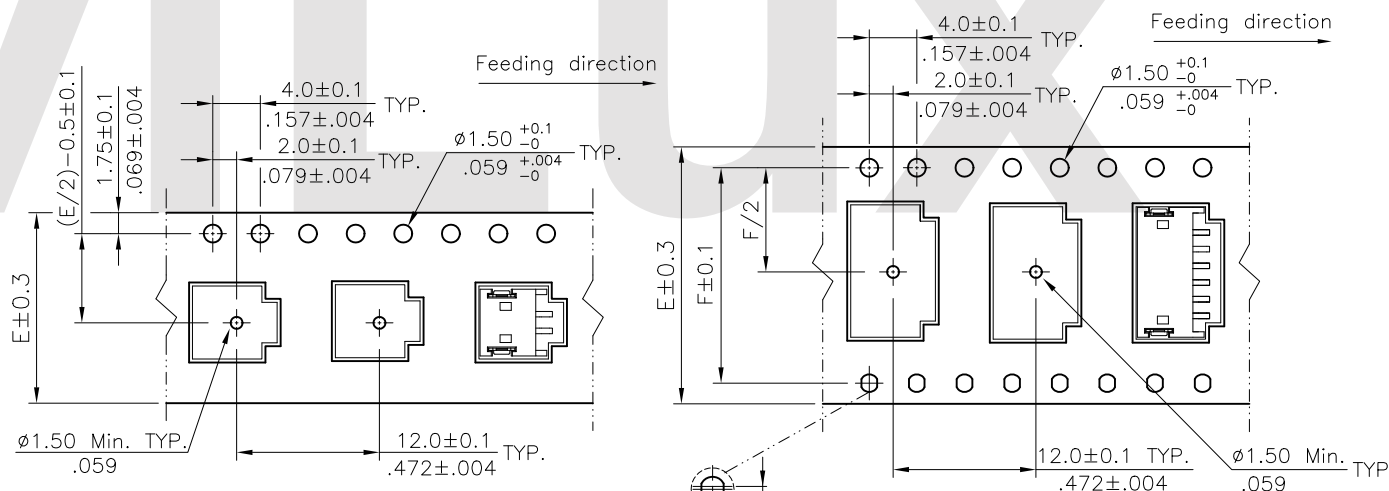
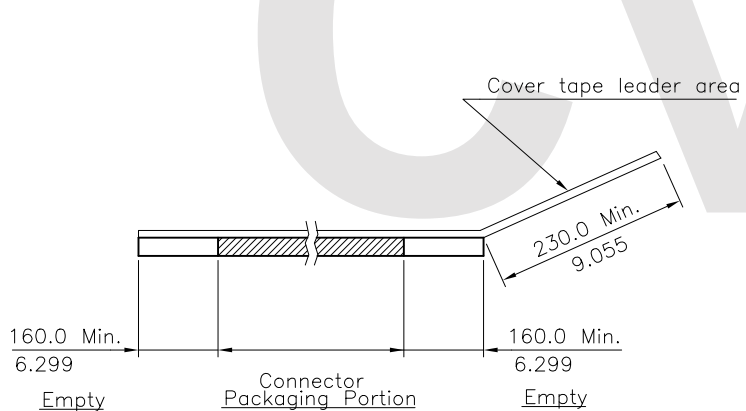
CVILUX CORP
 2016.07.07
 ISSUED



NOTE :

- * Reel Material : Corrugated Paper
- * Carrier Material : Clear, Conductive Polystyrene Alloy
- * Cover Tape Material : Polyester
- * Cover Tape Peel Strength : 0.1N – 1.3N
- * Carrier camber is within 1mm in 100mm
- * All dimensions meet EIA-481-2 & EIA-481-3 requirements.
- * Quantity : 1400 PCS/Reel

Circuits	Dimension					Packing (Reel/Carton)
	E	F	W1	W2	W3	
2-3	16.0(.630)	-----	16.5(.650)	22.5(.886)	16.5(.650)	11
4-8	24.0(.945)	-----	24.5(.965)	30.5(1.201)	24.5(.965)	9
9-12	32.0(1.260)	28.4(1.118)	32.5(1.280)	38.5(1.516)	32.5(1.280)	7
13-15	44.0(1.732)	40.4(1.596)	44.5(1.752)	50.5(1.988)	44.5(1.752)	5



WIDTH : 16.24 mm Carrier

R0.75
R.030

WIDTH : 32.44 mm Carrier

RoHS Compliant

SYM	NAME	DATE	REVISIONS	APPROVED BY:	DATE	UNIT: mm / inch	TITLE: 1.50MM(.059") Right Angle SMT Type Header	DRAWING NO. CI1527SD	PART NO. CI15**M1H*0-NH
4									
3	Sun	7/05-16'	ECRH116023/ECNT116141	DRAWN BY: Sun	7/5-16'	TOLERANCE UNLESS OTHERWISE SPECIFIED	MATERIAL:		
2	Enya	9/11-13'	ECNT113054/ECRH113002	ENGINEER: Sun	7/5-16'	X' ± I'	FINISH:	SCALE	SHEET 2 OF 2
1	Sun	9/22-11'	ECR11039-2/ECN11060	CHECKED BY: Eisley	7/6-16'	.X' ±			
				APPROVED BY: Eisley	7/6-16'	.XX' ±			

