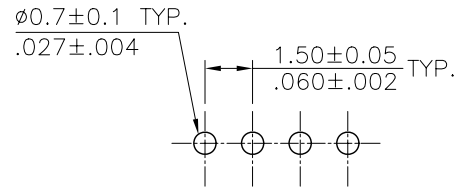


Material:

\* Insulation: Nylon 6T With 30% G.F.  
UL 94V-0, Color Nature

\* Contact: Brass

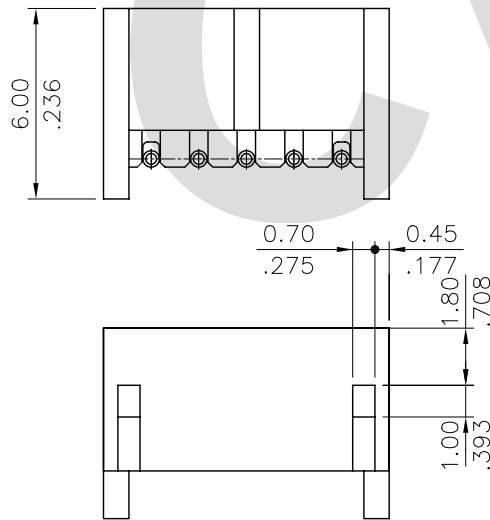


Recommended P.C. Board Layout

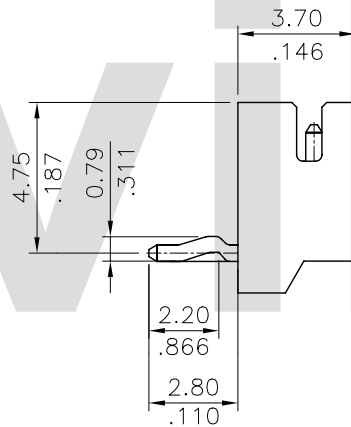
Ordering Code:

CI15 \*\* P 1 H K0 - NH  
① ② ③ ④ ⑤ ⑥ ⑦

- ① Series No.
- ② No. of Circuits: 02 To 15
- ③ P= Pin header
- ④ Plating: 1= 2.54μm(100μ") Min. Tin over 1.27μm(50μ") Nickel (Matte Tin Finish)
- ⑤ H= Right angle Type
- ⑥ Other option: K0= With Pin Kinked
- ⑦ -NH= For Lead Free IR Processes and Halogen-Free



BACK VIEW



Circuits	Dimension		
	A	B	C
2	1.50(.059)	4.50(.177)	3.60(.142)
3	3.00(.118)	6.00(.236)	5.10(.201)
4	4.50(.177)	7.50(.295)	6.60(.260)
5	6.00(.236)	9.00(.354)	8.10(.319)
6	7.50(.295)	10.50(.413)	9.60(.378)
7	9.00(.354)	12.00(.472)	11.10(.437)
8	10.50(.413)	13.50(.531)	12.60(.496)
9	12.00(.472)	15.00(.591)	14.10(.555)
10	13.50(.531)	16.50(.650)	15.60(.614)
11	15.00(.591)	18.00(.709)	17.10(.673)
12	16.50(.650)	19.50(.768)	18.60(.732)
13	18.00(.709)	21.00(.827)	20.10(.791)
14	19.50(.767)	22.50(.885)	21.60(.850)
15	21.00(.826)	24.00(.945)	23.10(.909)

Halogen-Free  
Lead Free Process  
RoHS Compliant

④					DATE	UNIT: mm / inch	TITLE: 1.50MM(.060") Right angle Type	瀚荃股份有限公司 CviLux Corporation
③					DRAWN BY: Karen	TOLERANCE UNLESS OTHERWISE SPECIFIED	MATERIAL:	
②					ENGINEER: Eisley	.X ± 0.30/.012 X' ± 1'	FINISH:	DRAWING NO. CI1522SA
①					CHECKED BY: David	.XX ± 0.20/.008 .X' ±		PART NO. CI15**P1HK0-NH
SYM	NAME	DATE	REVISIONS	APPROVED BY: Alex	11/07-08'	.XXX ± 0.10/.004 .XX' ±	SCALE 4 / 1	SHEET 1 OF 1

CVILUX.XORP  
 2008.11.18  
 ISSUED