

Material:

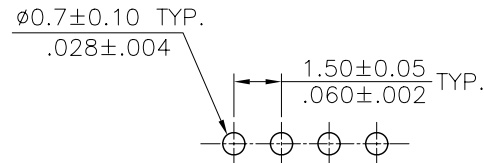
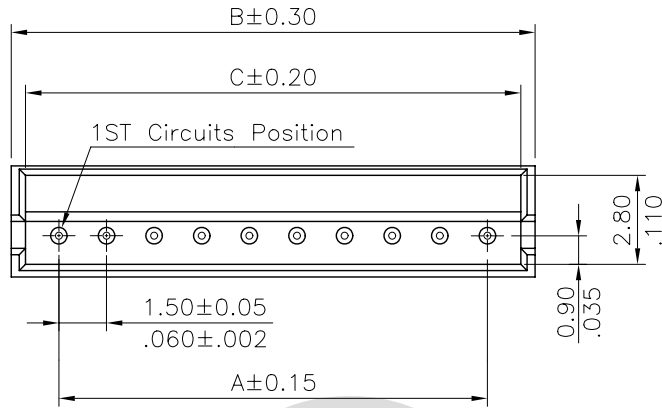
\* Insulation: Nylon 6T With 30% G.F.  
UL 94V-0, Color Nature

\* Contact: Brass

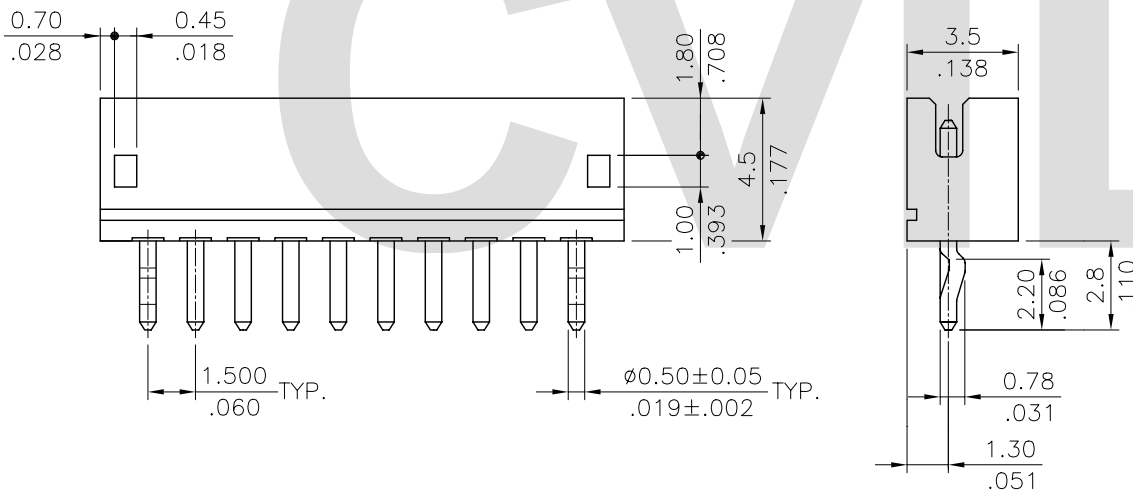
Ordering Code:

CI15 \*\* P 1 V K0 - NH  
① ② ③ ④ ⑤ ⑥ ⑦

- ① Series No.
- ② No. of Circuits: 02 To 15
- ③ P= Pin header
- ④ Plating: 1= 2.54μm(100μ") Min. Tin over  
1.27μm(50μ") Nickel  
(Matte Tin Finish)
- ⑤ V= Straight Type
- ⑥ Other option: K0= With Pin Kinked
- ⑦ -NH= For Lead Free IR Processes  
and Halogen-Free



Recommended P.C. Board Layout



Circuits	Dimension		
	A	B	C
2	1.50(.059)	4.50(.177)	3.60(.142)
3	3.00(.118)	6.00(.236)	5.10(.201)
4	4.50(.177)	7.50(.295)	6.60(.260)
5	6.00(.236)	9.00(.354)	8.10(.319)
6	7.50(.295)	10.50(.413)	9.60(.378)
7	9.00(.354)	12.00(.472)	11.10(.437)
8	10.50(.413)	13.50(.531)	12.60(.496)
9	12.00(.472)	15.00(.591)	14.10(.555)
10	13.50(.531)	16.50(.650)	15.60(.614)
11	15.00(.591)	18.00(.709)	17.10(.673)
12	16.50(.650)	19.50(.768)	18.60(.732)
13	18.00(.709)	21.00(.827)	20.10(.791)
14	19.50(.767)	22.50(.885)	21.60(.850)
15	21.00(.826)	24.00(.945)	23.10(.909)

Halogen-Free  
Lead Free Process  
RoHS Compliant

④					DATE	UNIT: mm / inch	TITLE: 1.50MM(.060") STRAIGHT HEADER	 瀚荃股份有限公司 CviLux Corporation
③		DRAWN BY: Karen		11/05-08'	TOLERANCE UNLESS OTHERWISE SPECIFIED		MATERIAL:	
②		ENGINEER: Eisley		11/07-08'	.X ± 0.30/.012 X' ± 1'			
①		CHECKED BY: David		11/07-08'	.XX ± 0.20/.008 .X' ±			
		APPROVED BY: Alex		11/07-08'	.XXX ± 0.10/.004 .XX' ±			
SYM	NAME	DATE	REVISIONS	APPROVED BY:			DRAWING NO. CI1505SA	PART NO. CI15**P1VK0-NH
							SCALE 4 / 1	SHEET 1 OF 1