

ORDERING CODE

C15 08 M 1 H R0 -LF
 ① ② ③ ④ ⑤ ⑥ ⑦

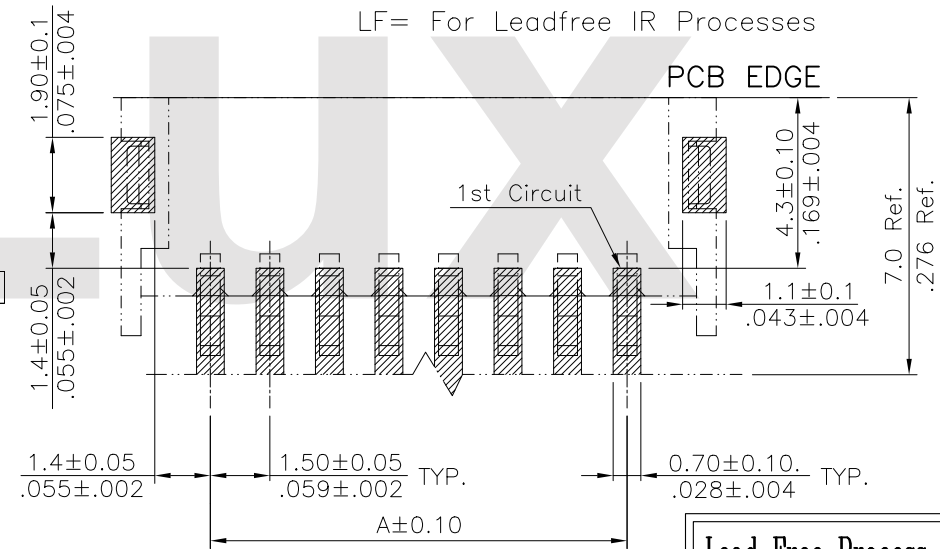
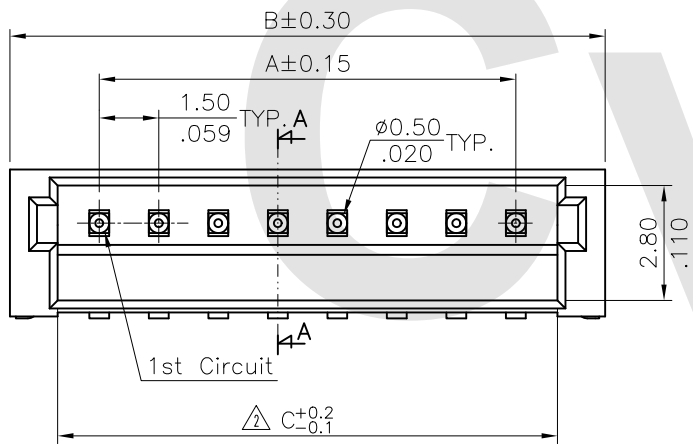
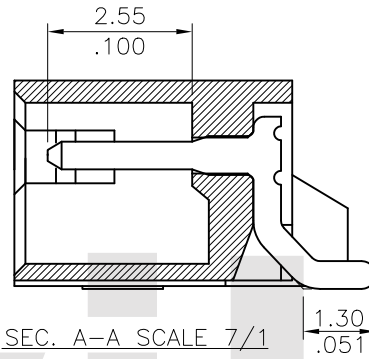
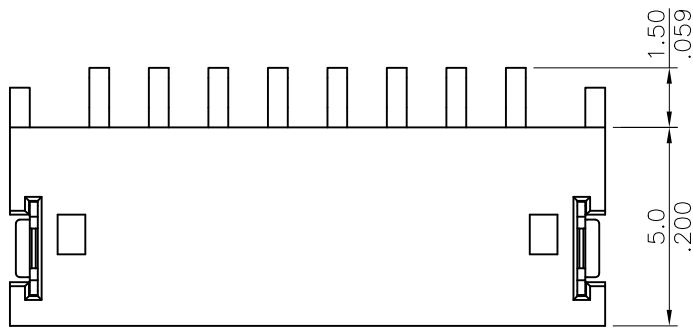
- ① Series No.
- ② Contacts: 02 to 15
- ③ M= SMT type header
- ④ Plating:
1 = 100μ" Min. Tin Plated
over 50μ" Nickel (Matte Tin Finish)
- ⑤ Type: H= Right angle
- ⑥ Other option:
R0= Tape & reel packing (Standard)
T0= Tube packing
- ⑦ OTHER OPTION:
LF= For Leadfree IR Processes

Material:

Base: Nylon 6T, UL 94V-0, Color Nature

Contact: Copper alloy with Matte Tin plated

Tab: Copper alloy with Matte Tin plated



DIM. A = 1.50 x NO. OF SPACES

DIM. B = DIM. A + 4.5


DIM. C = DIM. A + 2.1

△ * AVAILABLE IN 2 THROUGH 15 CIRCUITS

Lead Free Process

RoHS Compliant

Recommended P.C. Board Layout

⑥	Sun	7/05-16'	ECRH116023/ECNT116141		DATE	UNIT: mm / inch	TITLE: 1.50MM(.059") Right Angle SMT Type Header	 瀚荃股份有限公司 CviLux Corporation
⑤	Enya	9/11-13'	ECNT113054/ECRH113002	DRAWN BY: Sun	7/5-16'	TOLERANCE UNLESS OTHERWISE SPECIFIED	MATERIAL:	
④	Sun	9/22-11'	ECR11039-2/ECN11060	ENGINEER: Sun	7/5-16'	.X ± 0.30/.012 X' ± 1'	FINISH:	
③	Karen	12/17-09'	ECN09597	CHECKED BY: Eisley	7/6-16'	.XX ± 0.20/.008 X' ±	DRAWING NO. C11504SG PART NO. C115**M1H*0-LF	
SYM	NAME	DATE	REVISIONS	APPROVED BY: Eisley	7/6-16'	.XXX ± 0.10/.004 XX' ±	SCALE 5 / 1 SHEET 1 OF 2	

CVILUX CORP
 2016.07.07
 ISSUED

