

Note:

1. Material:

* Insulation: Nylon 6T With 30% GF. 94V-0 ,Color Nature(Halogen-Free)

* Contact: Brass with Matte Tin plated

* TAB: Brass with Matte Tin plated

△ 2. For Lead Free IR Reflow Process

Ordering Code:

CI06 ** M 1 H * 0 -NH
 ① ② ③ ④ ⑤ ⑥ ⑦ ⑧

| TOLERANCE | | | |
|-----------|----------|-------|-------|
| Dim | Circuits | 2~6P | 7~10P |
| A | | ±0.10 | ±0.15 |

① Series No.

② No. of Circuits:

③ Contacts Type: M= SMT

④ Plating: 1= 3.05μm(120u") Min. Matte Tin over 1.27μm(50u") Nickel

⑤ Type: H= Right angle

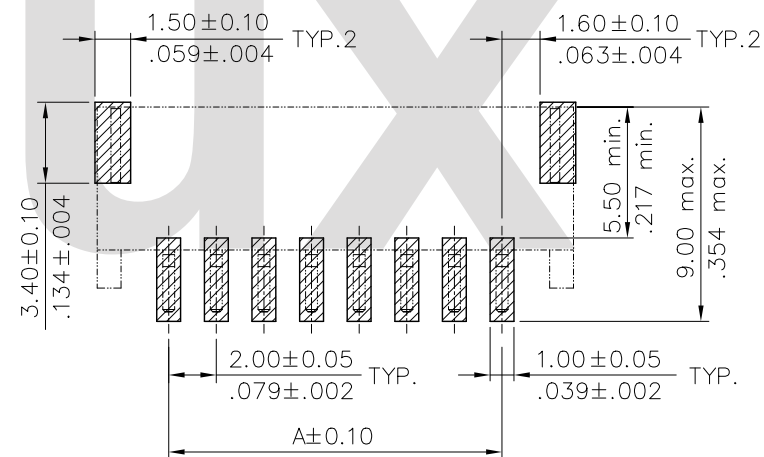
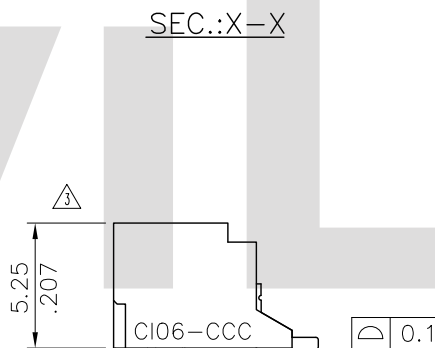
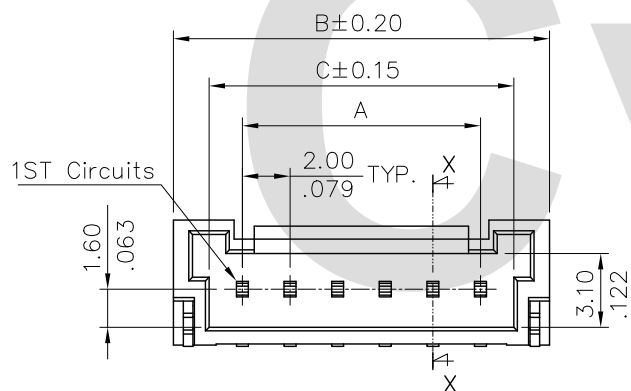
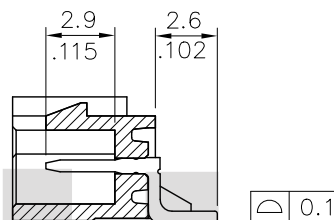
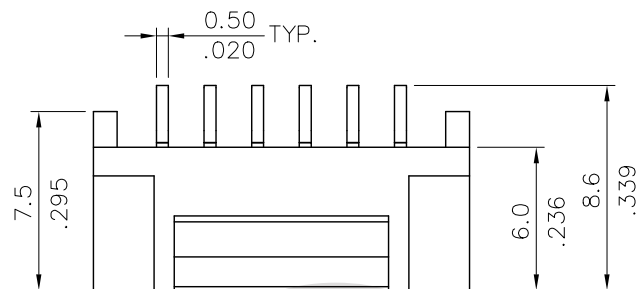
⑥ Packing Options:

R= Tape & Reel

T= Tube Packing

⑦ Option: 0= Standard

⑧ NH= For Lead Free IR Reflow Process and Halogen-Free



Sold Pad Pattern

A = 2.00 x No. of Spaces

△ B = A + 5.8


△ C = A + 2.8

△ * Available in 2 through 16 circuits

Halogen-Free

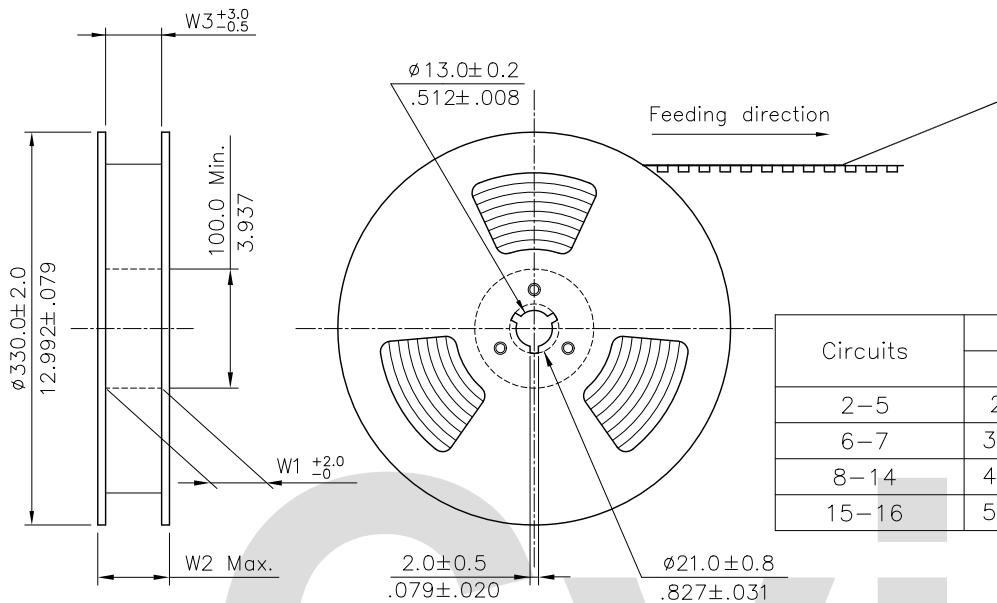
Lead Free Process

RoHS compliant

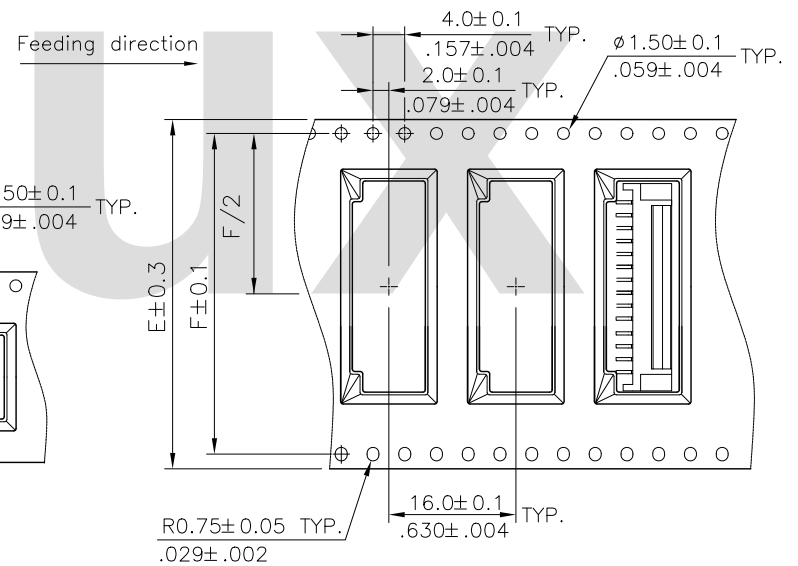
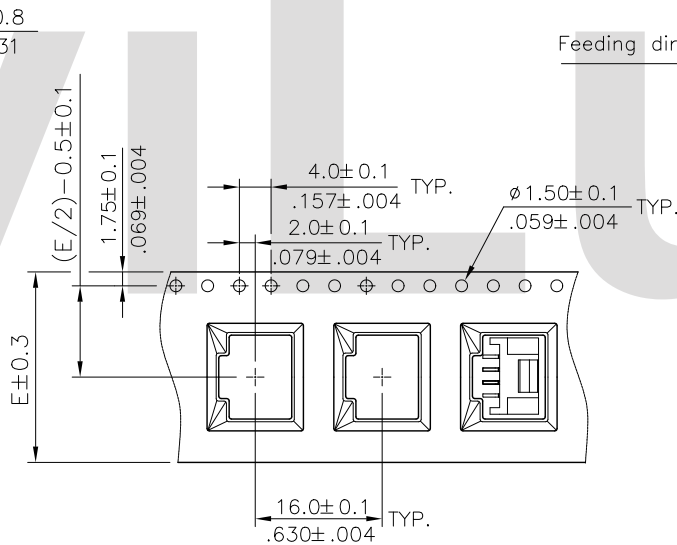
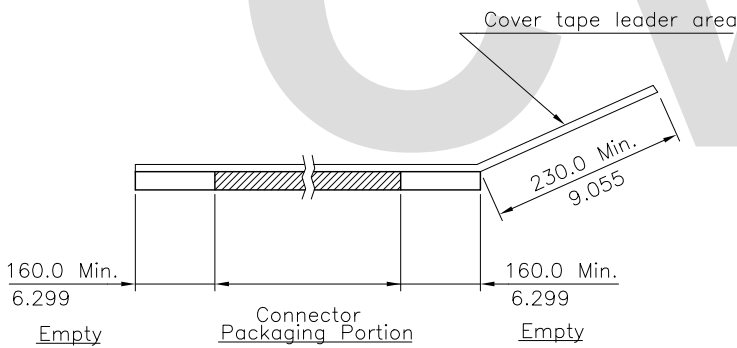
| SYM | NAME | DATE | REVISIONS | APPROVED BY: | DATE | UNIT: mm / inch | TITLE: 2.00mm PITCH SIDE ENTRY SMT HEADER |  瀚荃股份有限公司 CviLux Corporation |
|-----|-------|----------|-----------------------|--------------|--------|-----------------|---|--|
| △4 | Enya | 3/8-13' | ECN13056-0/ECR13007-1 | | | | | |
| △3 | Sandy | 6/18-10' | ECN10211 | DRAWN BY: | Enya | 3/08-13' | | |
| △2 | Una | 6/9-10' | ECN10194 | ENGINEER: | Eisley | 3/09-13' | | |
| △1 | Sun | 3/30-10' | ECN10088 | CHECKED BY: | Eisley | 3/09-13' | | |
| | | | | APPROVED BY: | David | 3/09-13' | | |
| | | | | | | | | |

CVILUX CORP
 2013.05.07
 ISSUED

| | | | |
|-------------|----------|----------|----------------|
| DRAWING NO. | CI0619SE | PART NO. | CI06**M1H*0-NH |
| SCALE | 3 / 1 | SHEET | 1 OF 2 |



| Circuits | Dimension | | | | | Packing (Reel/Carton) |
|----------|-------------|--------------|-------------|-------------|-------------|-----------------------|
| | E | F | W1 | W2 | W3 | |
| 2-5 | 24.0(.945) | - | 24.5(.965) | 30.5(1.200) | 24.5(.965) | 9 |
| 6-7 | 32.0(1.260) | 28.40(1.118) | 32.5(1.280) | 38.5(1.516) | 32.5(1.280) | 7 |
| 8-14 | 44.0(1.732) | 40.40(1.596) | 44.5(1.752) | 50.5(1.988) | 44.5(1.752) | 5 |
| 15-16 | 56.0(2.205) | 52.40(2.063) | 56.5(2.224) | 62.5(2.461) | 56.5(2.224) | 4 |



WIDTH : 24 mm Carrier

WIDTH : 32,44,56 mm Carrier

RoHS Compliant

NOTE :

- * Reel Material : Corrugated Paper
- * Carrier Material : Transparent Anti-static Polysyrene.
- * Cover Tape Material : Polyester
- * Cover Tape Peel Strength : 0.1N - 1.3N
- * Carrier camber is within 1mm in 100mm
- * All dimensions meet EIA-481-2 requirements.
- * Quantity : 700 PCS/Reel

| SYM | NAME | DATE | REVISIONS | APPROVED BY: | DATE | UNIT: mm / inch | TITLE: 2.00mm PITCH SIDE ENTRY SMT HEADER | CviLux Corporation | |
|-----|-------|----------|-----------------------|--------------|--------|-----------------|---|--------------------|-------------------------|
| 4 | Enya | 3/8-13' | ECN13056-0/ECR13007-1 | | DATE | UNIT: mm / inch | TITLE: 2.00mm PITCH SIDE ENTRY SMT HEADER | CviLux Corporation | |
| 3 | Sandy | 6/18-10' | ECN10211 | DRAWN BY: | Enya | 3/08-13' | TOLERANCE UNLESS OTHERWISE SPECIFIED | CviLux Corporation | |
| 2 | Una | 6/9-10' | ECN10194 | ENGINEER: | Eisley | 3/09-13' | MATERIAL: | CviLux Corporation | |
| 1 | Sun | 3/30-10' | ECN10088 | CHECKED BY: | Eisley | 3/09-13' | | FINISH: | CviLux Corporation |
| | | | | APPROVED BY: | David | 3/09-13' | .X ± | | X' ± |
| | | | | | | | .XX ± | .X' ± | PART NO. CIO6**M1H*O-NH |
| | | | | | | | .XXX ± | .XX' ± | SCALE |
| | | | | | | | | | SHEET 2 OF 2 |

CIVILUX CORP
 2013.05.07
 ISSUED



瀚荃股份有限公司
CviLux Corporation