

Note:

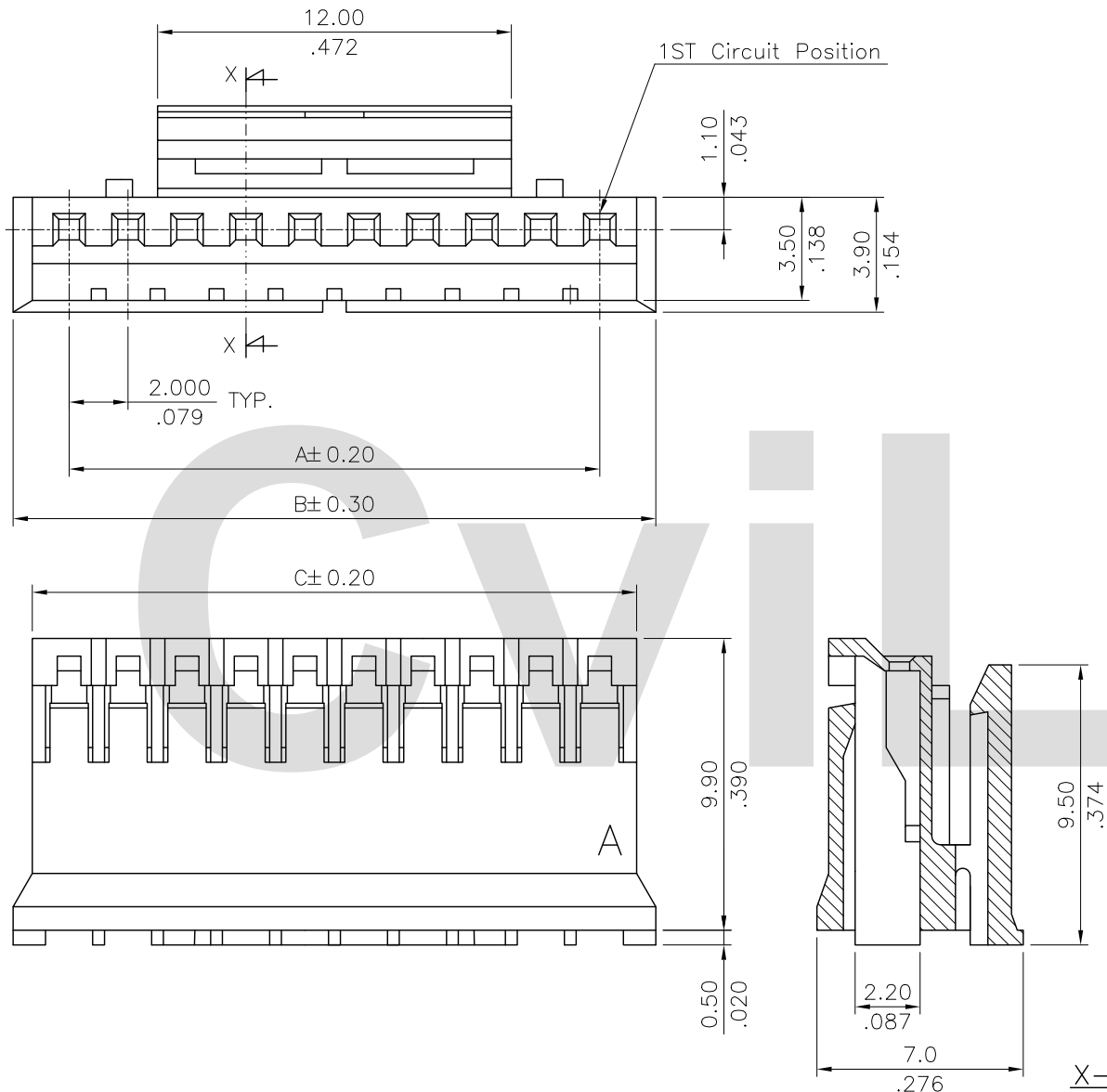
* Material: Nylon 66 UL 94V-0
(Halogen-Free)

Ordering Code


CI01 ** S 00L C
① ② ③ ④ ⑤

- ① Series No.
- ② No. of Circuits:
- ③ S= Connector housing
- ④ Other option: 00L= With Latch
- ⑤ C= Mate crimp terminal P/N: CI01T011PE0

Circuits	Dimension		
	A	B	C
10	18.00(.709)	21.8(.858)	20.50(.807)
12	22.00(.866)	25.8(1.016)	24.50(.965)
14	26.00(1.024)	29.8(1.173)	28.50(1.122)
16	30.00(1.181)	33.8(1.331)	32.50(1.280)



Halogen-Free
RoHS Compliant

④						DATE	UNIT: mm / inch	TITLE: 2.00MM(.079") CRIMP TERMINAL HOUSING	 瀚荃股份有限公司 CviLux Corporation
③						DRAWN BY: Clark	TOLERANCE UNLESS OTHERWISE SPECIFIED	MATERIAL:	
②						ENGINEER: Eisley	.X ± 0.30/.012 .X' ± 1'	FINISH:	DRAWING NO. CI0181BA PART NO. CI01**SOOLC
①	Clark	02/22-13	ECN13049-0			CHECKED BY: Eisley	.XX ± 0.20/.008 .X' ±		SCALE 4 / 1 SHEET 1 OF 1
SYM	NAME	DATE	REVISIONS			APPROVED BY: David	.XXX ± 0.10/.004 .XX' ±		