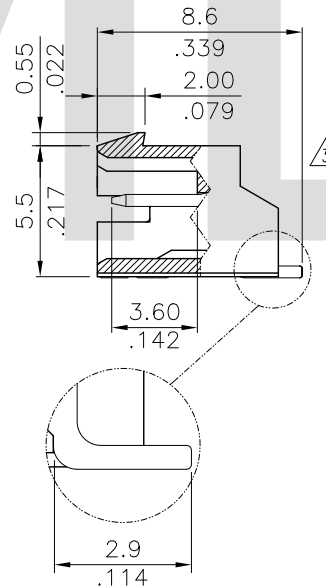
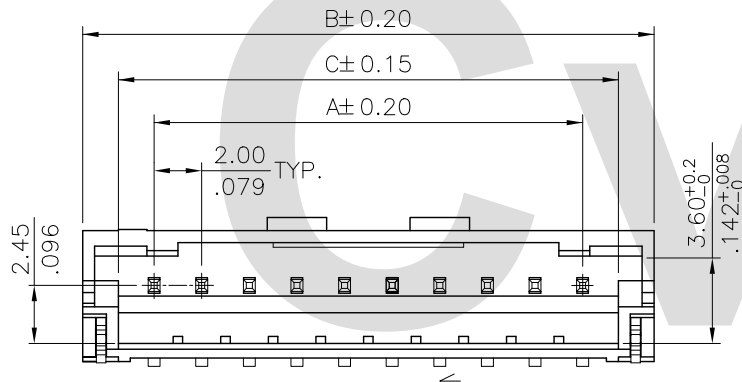
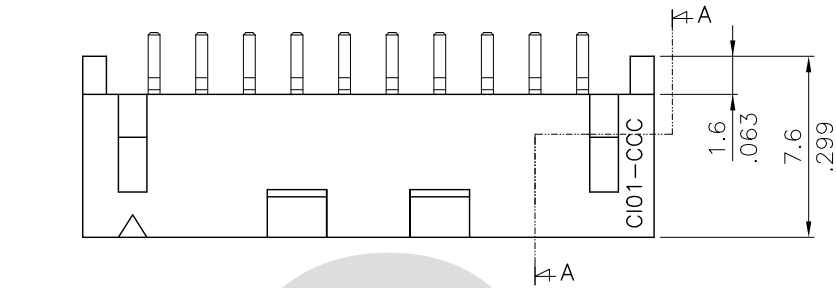


Note:

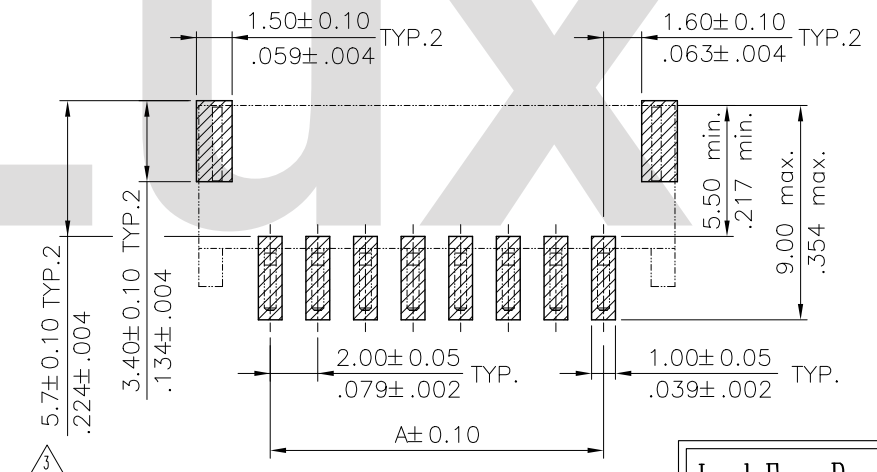
1. Material:

- * Insulation: Nylon 6T UL 94V-0, Color Nature
- * Contact: Brass
- * TAB: Brass with matte Tin plated

△ 2. For Lead-Free IR Reflow process



- Ordering Code:
- $\frac{C101}{①}$ $\frac{**}{②}$ $\frac{M}{③}$ $\frac{1}{④}$ $\frac{H}{⑤}$ $\frac{R}{⑥}$ $\frac{L}{⑦}$ $\frac{-LF}{⑧}$
- ① Series No.
 - ② No. of Circuits:
 - ③ Contacts Type: M= SMT
 - ④ Plating: 1= 3.05 μ m(120 μ ") Min. Tin over 1.27 μ m(50 μ ") Nickel(Matte Tin Finish)
 - ⑤ Type: H= Right angle
 - ⑥ Packing Options:
R= Tape & Reel
T= Tube Packing
 - ⑦ Option: L= With Locking Latch
 - ⑧ LF= For Lead Free IR Reflow Process




Sold Pad Pattern

Lead Free Process

RoHS Compliant

A = 2.00 x No. of Spaces
B = A + 6.0
C = A + 3.0

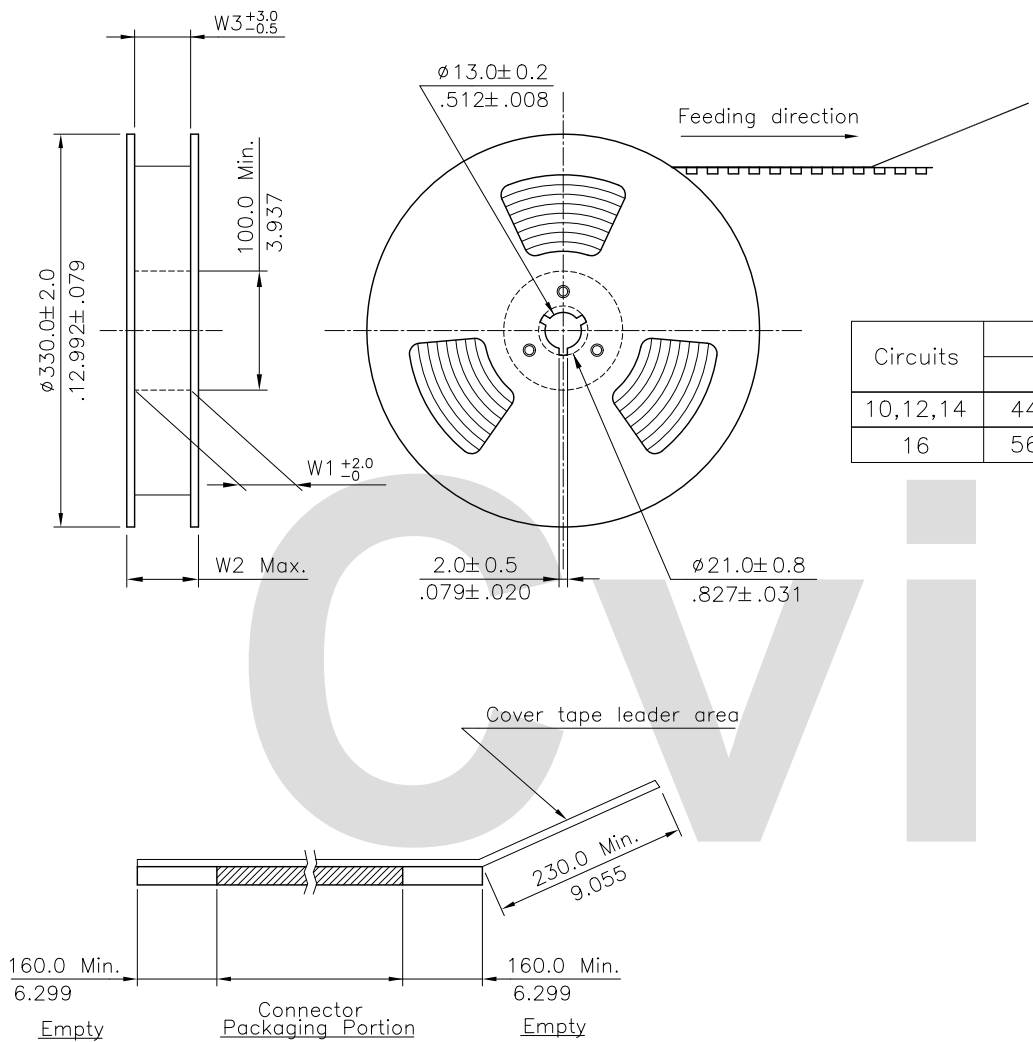
△ * Available in 10,12,14 & 16 circuits

⑤	Enya	3/5-13'	ECN13056-0/ECR13007-1		DATE	UNIT: mm / inch	TITLE: 2.00mm PITCH SIDE ENTRY	 瀚荃股份有限公司 CviLux Corporation
④	Sun	5/25-11'	ECR10039-2/ECN11060	DRAWN BY: Enya	3/05-13'	TOLERANCE UNLESS OTHERWISE SPECIFIED	SMT HEADER	
③	Sandy	3/07-08'	ECN08131	ENGINEER: Eisley	3/06-13'	.X ± 0.30/.012 X: ± 1'	MATERIAL:	
②	Sandy	4/29-07'	ECN07153	CHECKED BY: Eisley	3/06-13'	.XX ± 0.20/.008 .X: ±	FINISH:	
SYM	NAME	DATE	REVISIONS	APPROVED BY: David	3/06-13'	.XXX ± 0.10/.004 .XX: ±		DRAWING NO. C10169SG
								PART NO. C101**M1H*L-LF
								SCALE 3 / 1
								SHEET 1 OF 2

CIVILUX CORP

2013.05.16

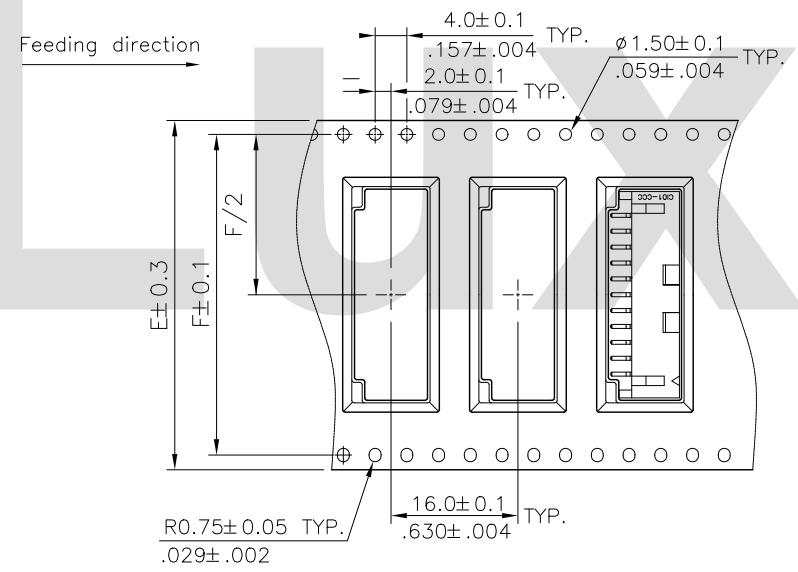
ISSUED



NOTE :

- * Reel Material : Corrugated Paper
- * Carrier Material : Transparent Anti-static Polysyrene.
- * Cover Tape Material : Polyester
- * Cover Tape Peel Strength : 0.1N – 1.3N
- * Carrier camber is within 1mm in 100mm
- * All dimensions meet EIA-481-2 requirements.
- * Quantity : 700 PCS/Reel

Circuits	Dimension					Packing (Reel/Caton)
	E	F	W1	W2	W3	
10,12,14	44.0(1.732)	40.40(1.596)	44.4(1.748)	50.4(1.984)	44.4(1.748)	5
16	56.0(2.205)	52.40(2.062)	56.5(2.224)	62.5(2.460)	56.5(2.224)	4



WIDTH : 44,56 mm Carrier

RoHS Compliant

SYM	NAME	DATE	REVISIONS	APPROVED BY:	DATE	UNIT: mm / inch	TITLE: 2.00mm PITCH SIDE ENTRY SMT HEADER	瀚荃股份有限公司 CviLux Corporation			
5	Enya	3/5-13'	ECN13056-0/ECR13007-1		DATE	UNIT: mm / inch	TITLE: 2.00mm PITCH SIDE ENTRY SMT HEADER	<div style="border: 2px solid red; border-radius: 50%; padding: 5px; display: inline-block; text-align: center;"> CVILUX CORP 2013.05.16 ISSUED </div>			
4	Sun	5/25-11'	ECR10039-2/ECN11060	DRAWN BY:	Enya	3/05-13'	TOLERANCE UNLESS OTHERWISE SPECIFIED				
3	Sandy	3/07-08'	ECN08131	ENGINEER:	Eisley	3/06-13'	.X ± X' ± "				
2	Sandy	4/29-07'	ECN07153	CHECKED BY:	Eisley	3/06-13'	.XX ± .X' ±				
				APPROVED BY:	David	3/06-13'	.XXX ± .XX' ±				
							MATERIAL:	DRAWING NO.	CI0169SG	PART NO.	CI01**M1H*L-LF
							FINISH:	SCALE		SHEET	2 OF 2