

Note:

1. Material:
 - △ * Insulation: High Temperature Plastic
UL 94V-0 Color Nature
 - * Contact: Brass
- △ 2. For Lead Free Wave flow Process

Ordering Code:

CI01 ** P 1 V KO -LF
 ① ② ③ ④ ⑤ ⑥ ⑦

① Series No.

② No. of Circuits:

③ P= Pin header

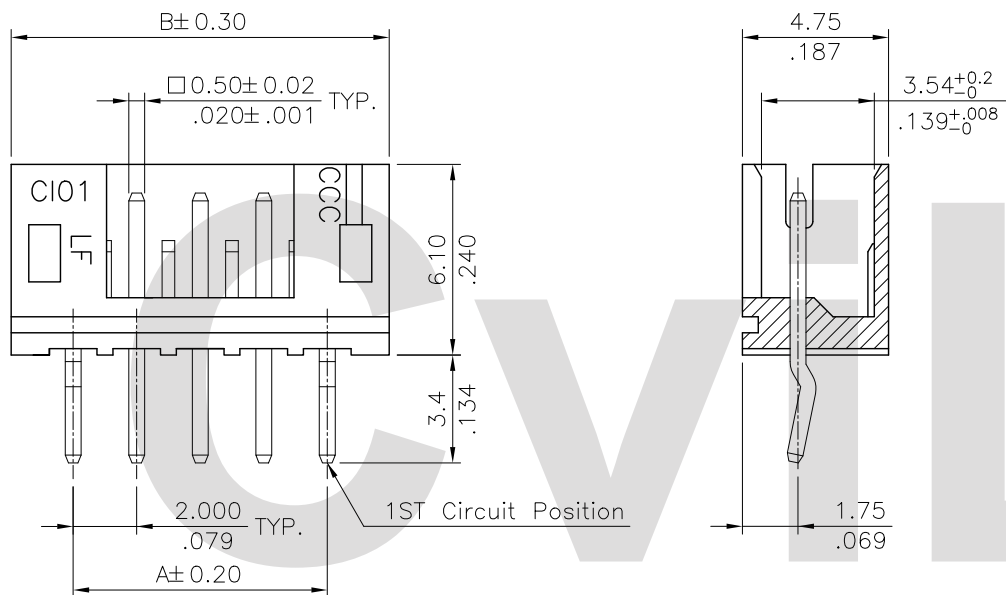
△△ ④ Plating:

- 1= 3.05μm(120μ") Min. Tin over
0.76μm(30μ") Nickel(Matte Tin Finish)
- 2= Gold Flash plated over
1.27μm(50μ") Nickel

⑤ Type:V= Straight

⑥ Other option: KO= With Pin Kinked

△ ⑦ -LF= For Lead Free Wave Flow Process




| Circuits | Dimension | | |
|----------|-------------|-------------|-------------|
| | A | B | C |
| 2 | 2.0(.079) | 6.0(.236) | 4.9(.193) |
| 3 | 4.0(.157) | 8.0(.315) | 6.9(.272) |
| 4 | 6.0(.236) | 10.0(.394) | 8.9(.350) |
| 5 | 8.0(.315) | 12.0(.472) | 10.9(.429) |
| 6 | 10.0(.393) | 14.0(.551) | 12.9(.508) |
| 7 | 12.0(.472) | 16.0(.630) | 14.9(.587) |
| 8 | 14.0(.551) | 18.0(.709) | 16.9(.665) |
| 9 | 16.0(.630) | 20.0(.787) | 18.9(.744) |
| 10 | 18.0(.709) | 22.0(.886) | 20.9(.823) |
| 11 | 20.0(.787) | 24.0(.945) | 22.9(.902) |
| 12 | 22.0(.886) | 26.0(1.024) | 24.9(.980) |
| 13 | 24.0(.945) | 28.0(1.102) | 26.9(1.059) |
| 14 | 26.0(1.024) | 30.0(1.181) | 28.9(1.138) |
| 15 | 28.0(1.102) | 32.0(1.256) | 30.9(1.217) |
| 16 | 30.0(1.181) | 34.0(1.339) | 32.9(1.295) |

Recommended P.C. Board Layout

Lead Free Process

RoHS Compliant

| | | | | | | | | | |
|-----|-------|----------|-----------------------|--------------------|----------|---|---|--|--------------|
| △5 | Enya | 4/12-13 | ECN13075-0/ECR13027-0 | | DATE | UNIT: mm / inch | TITLE: 2.00MM(.079") STRAIGHT HEADER |  瀚荃股份有限公司 CviLux Corporation | |
| △4 | Enya | 3/7-13' | ECN13056-0/ECR13007-1 | DRAWN BY: Enya | 4/12-13' | TOLERANCE UNLESS OTHERWISE SPECIFIED | MATERIAL: | | |
| △3 | Una | 8/10-11' | ECN11176 | ENGINEER: Easley | 4/15-13' | .X ± 0.30/.012 X' ± 1' | | | |
| △2 | Karen | 4/23-10' | ECN10126 | CHECKED BY: Easley | 4/15-13' | .XX ± 0.20/.008 .X' ± | FINISH: | | |
| SYM | NAME | DATE | REVISIONS | APPROVED BY: David | 4/15-13' | .XXX ± 0.10/.004 .XX' ± | DRAWING NO. CI0153SE | PART NO. CI01**P*VKO-LF | |
| | | | | | | | | SCALE 4 / 1 | SHEET 1 OF 1 |

