

Note:

1. Material:

\* Insulation: Nylon 6T+30% G.F.  
UL94V-0 (Halogen-Free)

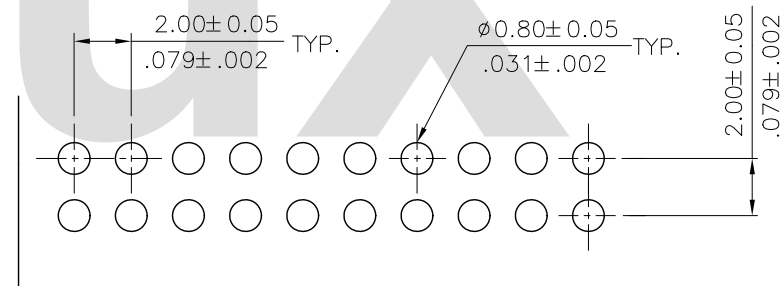
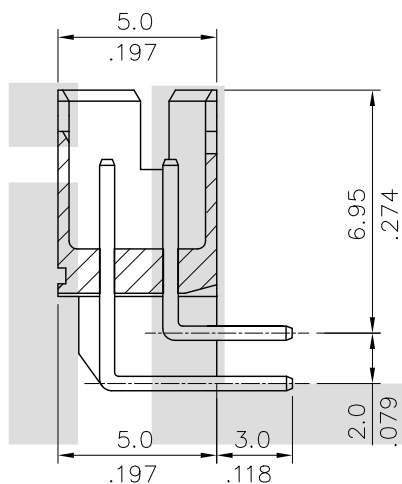
\* Contact: Brass

2. For Lead Free Wave flow Process

Ordering Code:

CI01 \*\* P \* H D 0 - NH  
① ② ③ ④ ⑤ ⑥ ⑦ ⑧

- ① Series No.
- ② No. of Circuits
- ③ Contact type: P= Pin Header
- ④ Plating option:  
1= 3.05μm (120μ") Matte Tin  
over 0.76μm(30μ") Nickel  
2= Gold Flash plated over  
1.27μm(50μ") Nickel
- ⑤ Type: H=Right angle
- ⑥ Other Option: D= Dual Row Type
- ⑦ Color: 0=Nature
- ⑧ -NH= For Lead Free Wave flow Process  
and Halogen-Free



Recommended P.C. Board Layout

A = 2.0 x (No. of Circuits/2-1)

B = A + 3.9

C = A + 2.7

\* Available in 6 through 34 circuits

Lead Free Process

Halogen-Free

RoHS compliant

④						DATE	UNIT: mm / inch	TITLE:		
③					DRAWN BY:	Enya	3/07-13'	TOLERANCE UNLESS OTHERWISE SPECIFIED		2.00mm PIN HEADER DIP TYPE
②					ENGINEER:	Eisley	3/12-13'	.X ± 0.30/.012 X' ± 1'		MATERIAL:
①	Enya	3/7-13'	ECN13056-0/ECR13007-1		CHECKED BY:	Eisley	3/12-13'	.XX ± 0.20/.008 .X' ±		FINISH:
SYM	NAME	DATE	REVISIONS		APPROVED BY:	David	3/12-13'	.XXX ± 0.10/.004 .XX' ±		
				DRAWING NO.	CI0128SB	PART NO.	CI01**P*HDO-NH			
				SCALE	3 / 1	SHEET	1 OF 1			