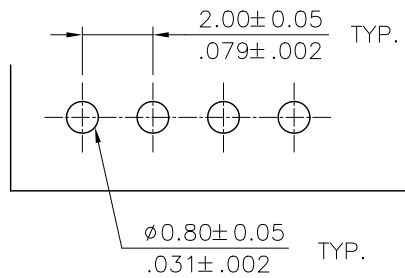
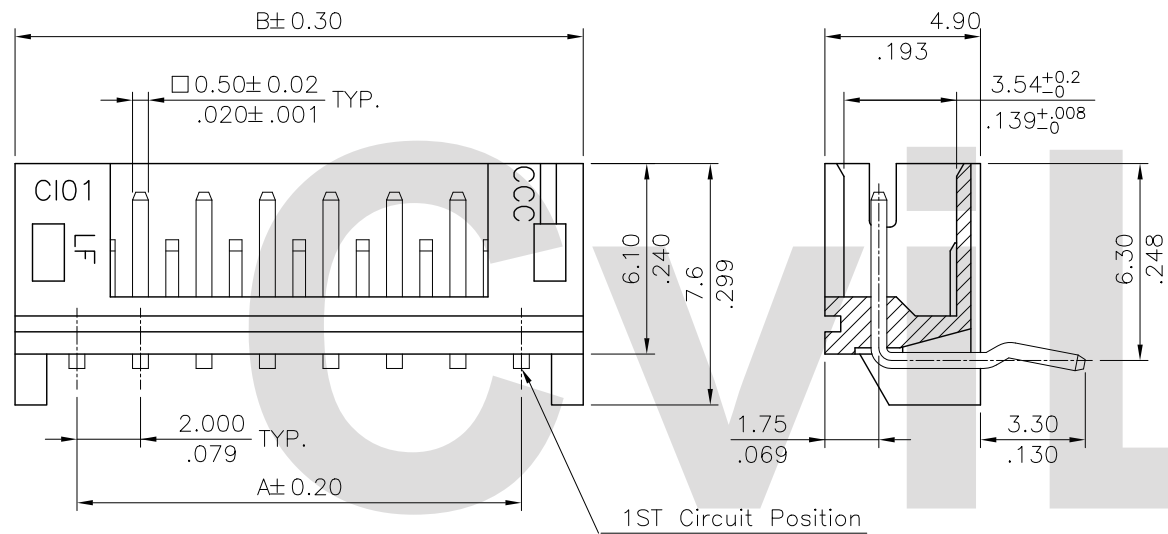


Note:
 1. Material:
 * Insulation: Nylon 6T UL 94V-0
 Color Nature(Halogen-Free)
 * Contact: Brass
 2. For Lead Free Wave flow Process

Ordering Code:

CI01 ** P 1 H K0 - NH
 ① ② ③ ④ ⑤ ⑥ ⑦

- ① Series No.
- ② No. of Circuits:
- ③ P= Pin header
- ④ Plating: 1= 3.05μm(120μ") Min. Tin over
0.76μm(30μ") Nickel (Matte Tin Finish)
- ⑤ Type:H= Right angle
- ⑥ Other option: K0= With Pin Kinked
- ⑦ -NH= For Lead Free Wave flow Process
and Halogen-Free



Recommended P.C. Board Layout

Circuits	Dimension		
	A	B	
2	2.00(.079)	6.0(.236)	4.90(.193)
3	4.00(.157)	8.0(.315)	6.90(.272)
4	6.00(.236)	10.0(.394)	8.90(.350)
5	8.00(.315)	12.0(.472)	10.90(.429)
6	10.00(.394)	14.0(.551)	12.90(.508)
7	12.00(.472)	16.0(.630)	14.90(.587)
8	14.00(.551)	18.0(.709)	16.90(.665)
9	16.00(.630)	20.0(.787)	18.90(.774)
10	18.00(.709)	22.0(.866)	20.90(.823)
11	20.00(.787)	24.0(.945)	22.90(.902)
12	22.00(.866)	26.0(1.024)	24.90(.980)
13	24.00(.945)	28.0(1.102)	26.90(1.059)
14	26.00(1.024)	30.0(1.181)	28.90(1.138)
15	28.00(1.102)	32.0(1.260)	30.90(1.217)
16	30.00(1.181)	34.0(1.338)	32.90(1.295)

Halogen-Free
 Lead Free Process
 RoHS Compliant

④					DATE	UNIT: mm / inch	TITLE: 2.00MM(.079") RIGHT ANGLE HEADER	瀚荃股份有限公司 CviLux Corporation
③					3/07-13'	TOLERANCE UNLESS OTHERWISE SPECIFIED	MATERIAL:	
②					3/12-13'	.X ± 0.30/012 X: ± 1'	FINISH:	DRAWING NO. CI0125AB PART NO. CI01**P1HK0-NH
①	Enya	3/7-13'	ECN13056-0/ECR13007-1	2013.05.16 ISSUED	3/12-13'	.XX ± 0.20/008 X: ±		SCALE 4 / 1 SHEET 1 OF 1
SYM	NAME	DATE	REVISIONS		APPROVED BY: David	.XXX ± 0.10/004 .XX ±		