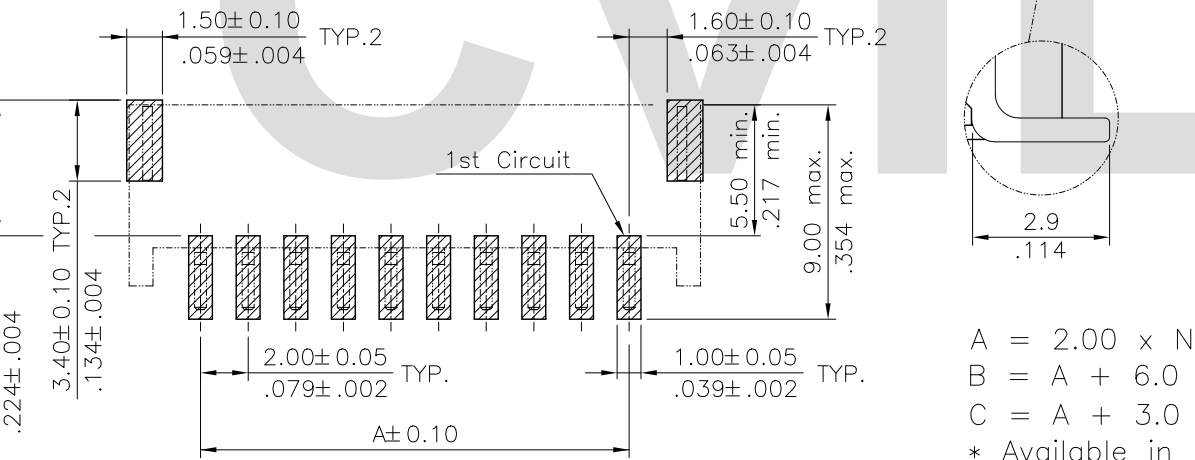
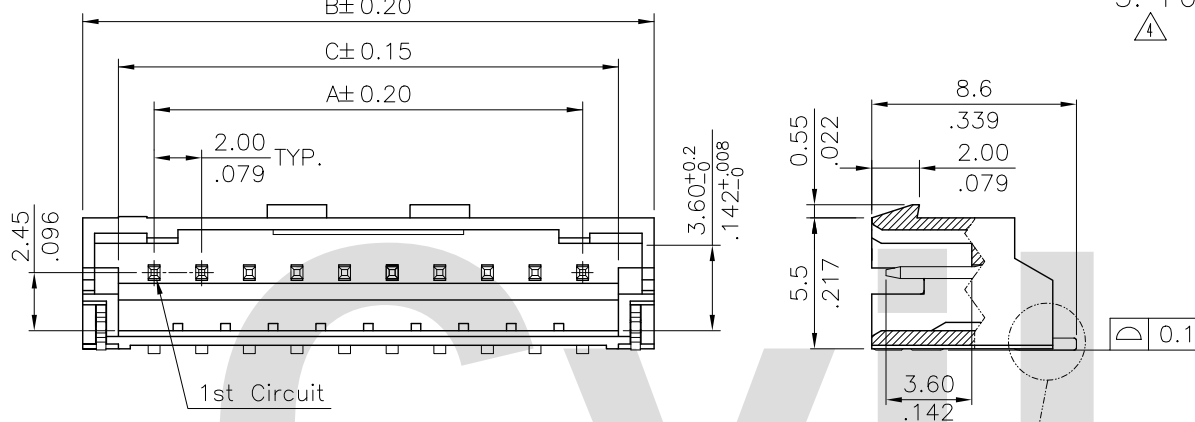


Note:

1. Material:
 - * Insulation: Nylon 6T UL 94V-0, Color Nature (Halogen-Free)
 - * Contact: Brass
 - * TAB: Brass with matte Tin plated
2. Plating:
 - * TAB: Matte Tin plated over Nickel
3. For Lead Free IR Reflow Process

Ordering Code:

$\frac{C101}{①}$
 $\frac{**}{②}$
 $\frac{M}{③}$
 $\frac{1}{④}$
 $\frac{H}{⑤}$
 $\frac{R}{⑥}$
 $\frac{L}{⑦}$
 $\frac{-NH}{⑧}$



Sold Pad Pattern

- ① Series No.
- ② No. of Circuits:
- ③ Contacts Type: M= SMT
- ④ Plating: 1= 3.05 μ m(120 μ ") Min. Tin over 1.27 μ m(50 μ ") Nickel(Matte Tin Finish)
- ⑤ Type: H= Right angle
- ⑥ Packing Options:
R= Tape & Reel
T= Tube Packing
- ⑦ Option: L= With Locking Latch
- ⑧ NH= For Lead Free IR Reflow Process and Halogen-Free

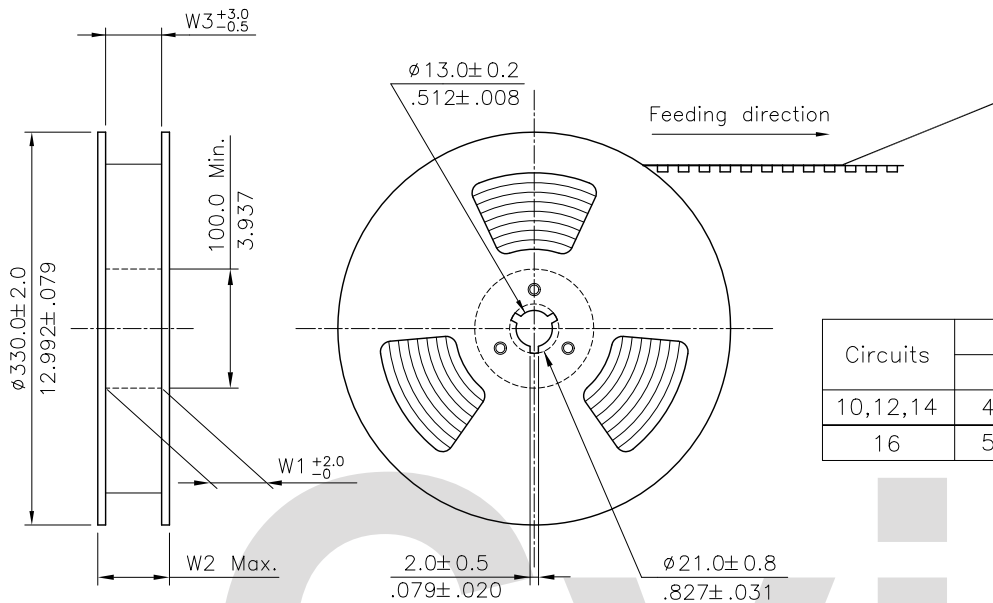
A = 2.00 x No. of Spaces
 B = A + 6.0
 C = A + 3.0
 * Available in 10,12,14 & 16 circuits

Halogen-Free
 Lead Free Process
 RoHS Compliant

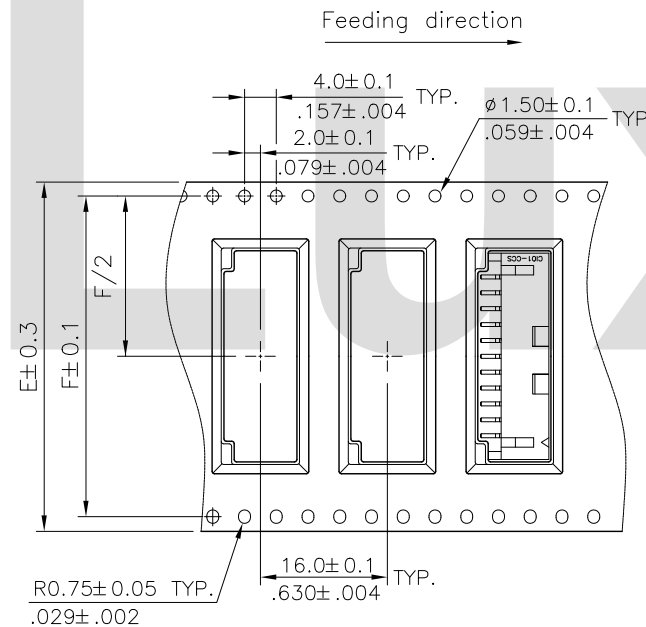
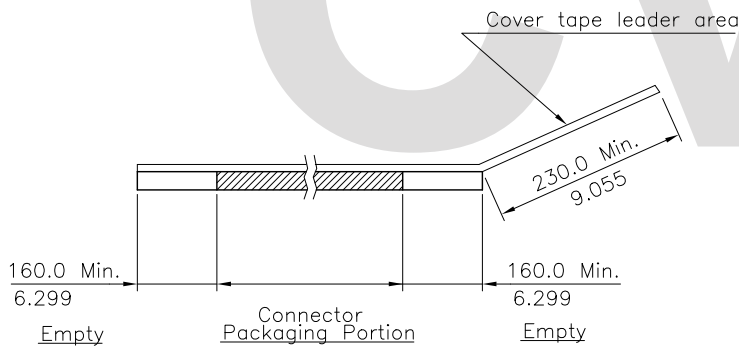
④	Enya	3/5-13'	ECN13056-0/ECR13007-1	 2013.05.16 ISSUED	DATE	UNIT: mm / inch	TITLE: 2.00mm PITCH SIDE ENTRY SMT HEADER	 瀚荃股份有限公司 CviLux Corporation			
③	Sun	9/21-11'	ECN11202		DRAWN BY: Enya	3/05-13'	TOLERANCE UNLESS OTHERWISE SPECIFIED		MATERIAL:		
②	Sun	5/25-11'	ECR10039-2/ECN11060		ENGINEER: Eisley	3/09-13'	.X ± 0.30/.012 X: ± 1'		FINISH:		
①	Sandy	3/07-08'	ECN08131		CHECKED BY: Eisley	3/09-13'	.XX ± 0.20/.008 .X: ±				
SYM	NAME	DATE	REVISIONS		APPROVED BY: David	3/09-13'	.XXX ± 0.10/.004 .XX ±				
DRAWING NO.		C10118AE		PART NO.		C101**M1H*L-NH		SCALE	3 / 1	SHEET	1 OF 2

NOTE :

- △ * Reel Material : CORRUGATED PAPER
- * Carrier Material : Transparent Anti-static Polysyrene.
- * Cover Tape Material : Polyester
- * Cover Tape Peel Strength : 0.1N – 1.3N
- * Carrier camber is within 1mm in 100mm
- * All dimensions meet EIA-481-2 requirements.
- * Quantity : 700 PCS/Reel



Circuits	Dimension					Packing (Reel/Caton)
	E	F	W1	W2	W3	
10,12,14	44.0(1.732)	40.40(1.596)	44.4(1.748)	50.4(1.984)	44.4(1.748)	5
16	56.0(2.205)	52.40(2.062)	56.5(2.224)	62.5(2.460)	56.5(2.224)	4



WIDTH : 44,56 mm Carrier

RoHS Compliant

4	Enya	3/5-13'	ECN13056-0/ECR13007-1		DATE	UNIT: mm / inch	TITLE: 2.00mm PITCH SIDE ENTRY SMT HEADER	 瀚荃股份有限公司 CviLux Corporation	
3	Sun	9/21-11'	ECN11202		DRAWN BY: Enya	3/05-13'	TOLERANCE UNLESS OTHERWISE SPECIFIED		MATERIAL:
2	Sun	5/25-11'	ECR10039-2/ECN11060		ENGINEER: Eisley	3/09-13'	.X ± X' ± 1'		FINISH:
1	Sandy	3/07-08'	ECN08131		CHECKED BY: Eisley	3/09-13'	.XX ± .X' ±	DRAWING NO. CIO118AE	PART NO. CIO1**M1H*L-NH
SYM	NAME	DATE	REVISIONS		APPROVED BY: David	3/09-13'	.XXX ± .XX' ±	SCALE	SHEET 2 OF 2