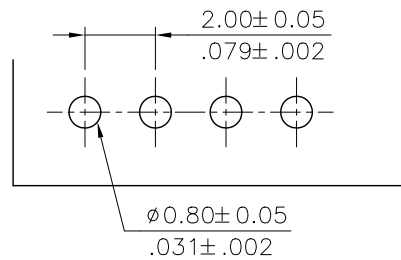
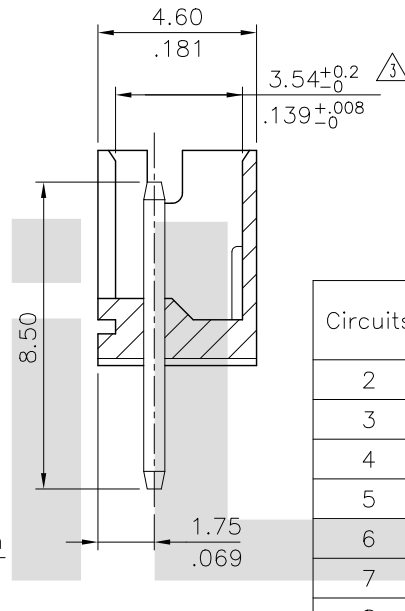


Note:

- 1. Material:
- \* Insulation: Nylon 66 UL 94V-0  
Color Nature
- \* Contact: Brass

⚠ 2. For Tin-Lead Wave Flow Process



Recommended P.C. Board Layout

Ordering Code:

CI01 04 P 1 V 0 0  
① ② ③ ④ ⑤ ⑥ ⑦

- ① Series No.
- ② No. of Circuits:
- ③ P= Pin header
- ④ Plating: 1= 2.54μm(100u") Min. Tin over  
1.27μm(50u") Nickel
- ⑤ Type:V= Straight
- ⑥ Other option: 0= Without Pin Kinked
- ⑦ Process option:
- ⚠ For Tin-Lead Wave Flow Process

Circuits	Dimension		
	A	B	C
2	2.00(.079)	6.0(.236)	4.90(.193)
3	4.00(.157)	8.0(.315)	6.90(.272)
4	6.00(.236)	10.0(.394)	8.90(.272)
5	8.00(.315)	12.0(.472)	10.90(.429)
6	10.00(.394)	14.0(.551)	12.90(.508)
7	12.00(.472)	16.0(.630)	14.90(.587)
8	14.00(.551)	18.0(.709)	16.90(.665)
9	16.00(.630)	20.0(.787)	18.90(.744)
10	18.00(.709)	22.0(.866)	20.90(.823)
11	20.00(.787)	24.0(.945)	22.90(.902)
12	22.00(.866)	26.0(1.024)	24.90(.980)
13	24.00(.945)	28.0(1.102)	26.90(1.059)
14	26.00(1.024)	30.0(1.181)	28.90(1.138)
15	28.00(1.102)	32.0(1.260)	30.90(1.217)
16	30.00(1.181)	34.0(1.338)	32.90(1.295)

Tin-Lead Process

RoHS Compliant

④	Enya	3/6-13'	ECN13056-0/ECR13007-1		DATE	UNIT: mm / inch	TITLE: 2.00MM(.079") STRAIGHT HEADER	瀚荃股份有限公司 CviLux Corporation
③	SUN	11/02/04	ECR04096-0/ECN04425	DRAWN BY: Enya	3/06-13'	TOLERANCE UNLESS OTHERWISE SPECIFIED	MATERIAL:	
②	SANDY	8/05/04	ECN04300	ENGINEER: Eisley	3/09-13'	.X ± 0.30/012 X: ± 1'	FINISH:	DRAWING NO. CI0109SF
①	Casey	5/20/04	ECN04202	CHECKED BY: Eisley	3/09-13'	.XX ± 0.20/008 .X ±		PART NO. CI01**P1V00
SYM	NAME	DATE	REVISIONS	APPROVED BY: David	3/09-13'	.XXX ± 0.10/004 .XX ±	SCALE 4 / 1	SHEET 1 OF 1

**CVILUX CORP**  
2013.05.07  
**ISSUED**