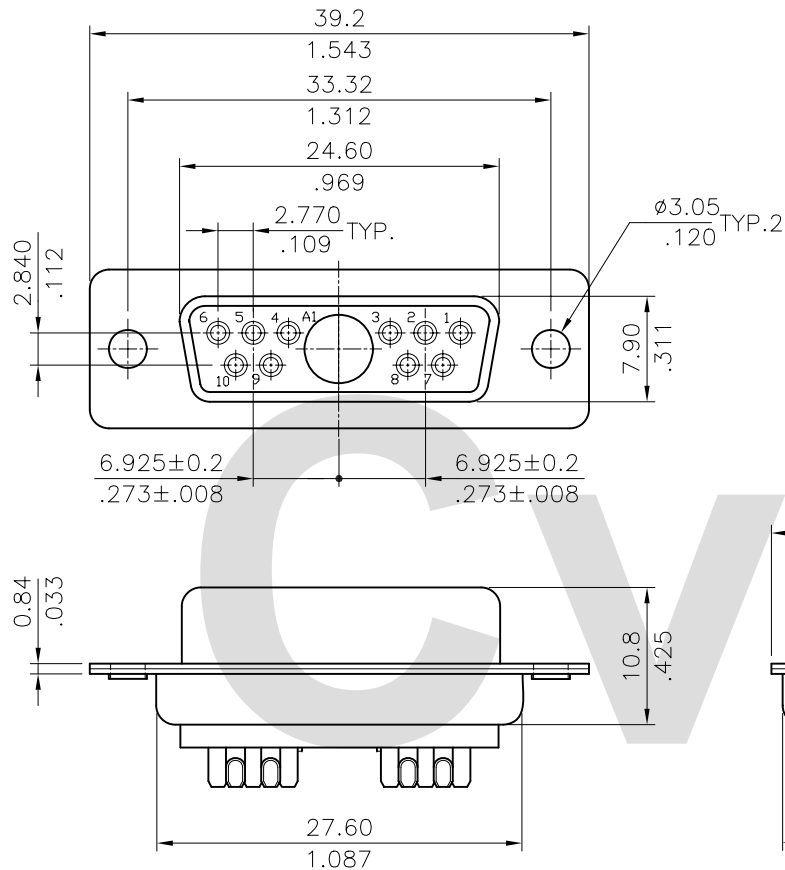


Material:  
 Insulator: Glass filled Polyester UL 94V-0  
 Contact: Copper alloy  
 Shell: Steel, Tin plated as standard

### Ordering Code

11W1 S0 S0 A 100 000  
 ① ② ③ ④ ⑤ ⑥

- ① Series No.
- ② Connector Type:  
S0= Receptacle
- ③ Contact tail Style:  
S0= Solder Cup type
- ④ Singal Contact Plating:  
A= Seletive Gold flash plated over Nickel  
B= Seletive 15 $\mu$ " Gold plated over Nickel  
C= Seletive 30 $\mu$ " Gold plated over Nickel
- ⑤ Insulator Color:  
100= Black  
600= Green
- ⑥ Mounting Style:  
000= With  $\phi$ 3.05mm holes on shell  
A00= Riveted #4-40 UNC close nuts on front shell  
B00= Riveted #4-40 UNC open nuts on front shell  
C00= Riveted #4-40 UNC open nuts on rear shell



### Mounting Style

RoHS Compliant

Code	000	Code	A00	Code	B00	Code	C00
			DIM. L= 5.8mm		DIM. L= 4.0mm		DIM. L= 4.0mm

4					DATE	UNIT: mm / inch	TITLE: 11W1 FEMALE COMBO D-SUB CONNECTOR (SOLDER CUP TYPE)	瀚荃股份有限公司 CviLux Corporation	
3				DRAWN BY: James	11/18-02'	TOLERANCE UNLESS OTHERWISE SPECIFIED	MATERIAL:		
2				ENGINEER: David	11/19-02'	.X ±0.30/012 X' ± 1'			
1				CHECKED BY: David	11/19-02'	.XX ±0.20/008 X' ±	FINISH:		
SYM	NAME	DATE	REVISIONS	APPROVED BY: Alex	11/19-02'	.XXX ±0.10/004 X' ±	DRAWING NO. 11W102SC	PART NO. 11W1S0S0**00*00	
							SCALE	2 / 1	SHEET 1 OF 1

CVILUX.CORP  
 2002.11.20  
 ISSUED