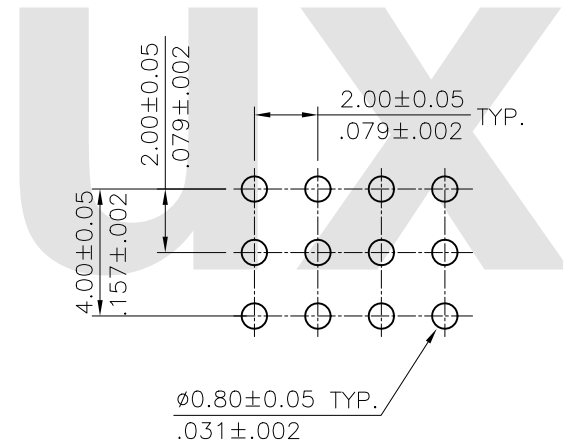
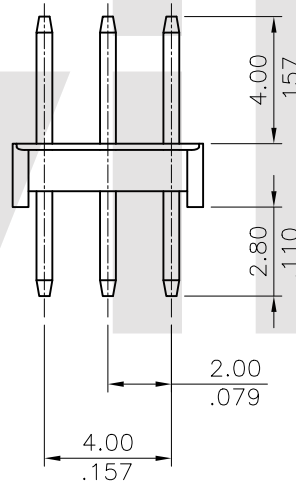
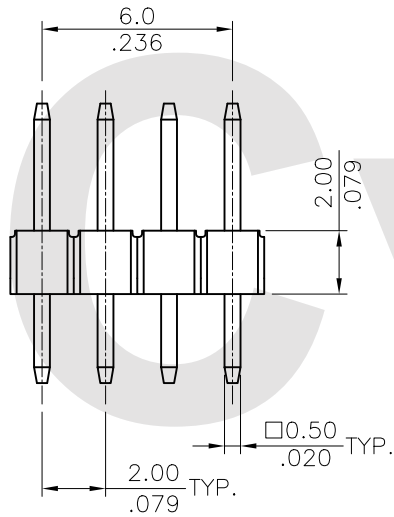


Material:  
 \* Contact: Brass  
 \* For Lead Free Wave Flow Process

### Ordering Code

CH95 12 2 V A 00  
 ① ② ③ ④ ⑤ ⑥

- ① Series No.
- ② No. of Circuits
- ③ Plating Code:  
 2= Gold flash plated  
 over 1.27 μm(50 μ") Nickel
- ④ V= Straight
- ⑤ Insulator:  
 A= Nylon 6T UL 94V-0, Color Black
- ⑥ Pin Length Option Code



Recommended P.C. Board Layout

Lead Free Process    RoHS Compliant

CIVILUX CORP  
 2016.02.18  
 ISSUED

④					DATE	UNIT: mm / inch	TITLE: 2.00MM(.079") TRIPLE ROW BOARD MOUNT PIN HEADER	 瀚荃股份有限公司 CviLux Corporation
③				DRAWN BY: Sandy	2/3-16'	TOLERANCE UNLESS OTHERWISE SPECIFIED	MATERIAL:	
②				ENGINEER: Sun	2/15-16'			
①				CHECKED BY: Eisley	2/16-16'	.XX ± 0.20/.008    .X* ±	CUSTOMER: TCF0061	
SYM	NAME	DATE	REVISIONS	APPROVED BY: Eisley	2/16-16'	.XXX ± 0.10/.004    .XX* ±		
								SCALE 4 / 1    SHEET 1 OF 1