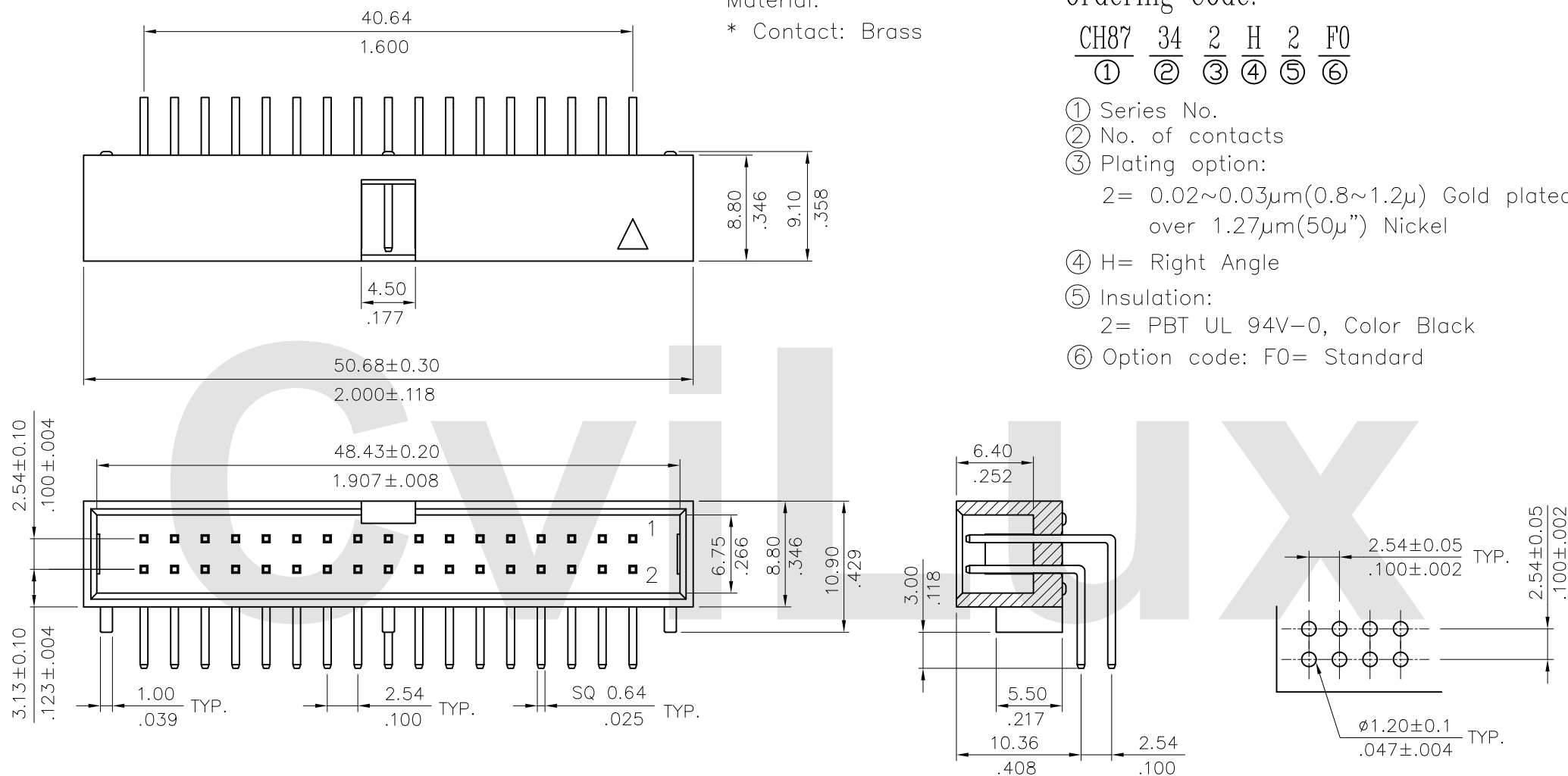


Material:  
\* Contact: Brass

Ordering Code:

$\frac{CH87}{①} \frac{34}{②} \frac{2}{③} \frac{H}{④} \frac{2}{⑤} \frac{F0}{⑥}$

- ① Series No.
- ② No. of contacts
- ③ Plating option:  
2= 0.02~0.03 $\mu$ m(0.8~1.2 $\mu$ ) Gold plated over 1.27 $\mu$ m(50 $\mu$ "") Nickel
- ④ H= Right Angle
- ⑤ Insulation:  
2= PBT UL 94V-0, Color Black
- ⑥ Option code: F0= Standard



Recommended P.C. Board Layout

Tin-Lead Process      RoHS Compliant

**CVILUX CORP**  
**2016.03.17**  
**ISSUED**

④				DATE	UNIT: mm / inch	TITLE: 2.54MM(.100") RIGHT ANGLE DUAL ROW BOX PIN HEADER
③				DRAWN BY: Sandy	TOLERANCE UNLESS OTHERWISE SPECIFIED	MATERIAL:
②				ENGINEER: Sun		
①				CHECKED BY: Eisley	.X ± 0.30/012    X' ± 1'	FINISH:
				APPROVED BY: Eisley	.XX ± 0.20/008    .X' ±	
SYM	NAME	DATE	REVISIONS	APPROVED BY: Eisley	3/14-16'	.XXX ± 0.10/004    .XX' ±

**瀚荃股份有限公司**  
**CviLux Corporation**

DRAWING NO.	<b>CH8786SA</b>	PART NO.	<b>CH87342H2F0</b>
SCALE	2 / 1	SHEET	1 OF 1