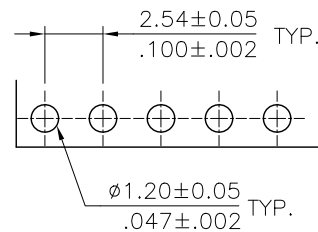
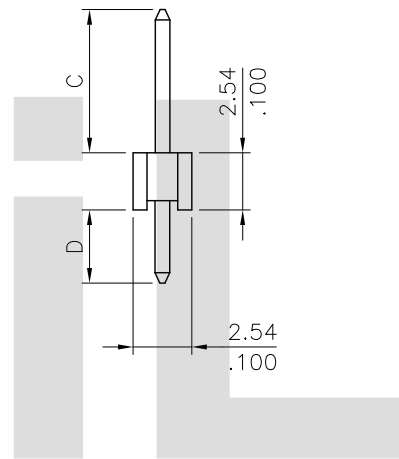


A = 2.54 x No. of Spaces

B = A + 2.36

\* Available in 2 through 40 circuits



Recommended P.C. Board Layout

Notes:

\* Material:

Contact: Brass

△\* Pin overall Length 30.0mm Max.

### Ordering Code

CH31 \*\* \* V A \*\* -NH  
 ① ② ③ ④ ⑤ ⑥ ⑦

① Series No.

② No. of Circuits

③ Plating code:

1= Matte Tin plated over Nickel

2= Gold flash plated over

1.27μm(50μ") Nickel

④ V= Straight

⑤ Insulator: A= Nylon 6T UL 94V-0, Color Black

△⑥ Pin Length Option Code:

See Table PDF. File No. CH3101T

⑦ -NH= For Lead Free IR Processes and Halogen-Free

Halogen-Free

Lead Free Process

RoHS Compliant

④						DATE	UNIT: mm / inch	TITLE: 2.54MM(.100") STRAIGHT BOARD MOUNT PIN HEADER	 瀚荃股份有限公司 CviLux Corporation	
③					DRAWN BY: Karen	11/20-10'	TOLERANCE UNLESS OTHERWISE SPECIFIED	MATERIAL:		
②	Karen	11/20-10'	ECN10378	ENGINEER: Clark	11/22-10'	.X ± 0.30/.012	X* ± 1"	FINISH:	DRAWING NO. CH3152SC	PART NO. CH31***VA**-NH
①	Sun	10/6-08'	ECN08478/ECR08118-1	CHECKED BY: David	11/22-10'	.XX ± 0.20/.008	.X* ±		SCALE 3 / 1	SHEET 1 OF 1
SYM	NAME	DATE	REVISIONS	APPROVED BY: David	11/22-10'	.XXX ± 0.10/.004	.XX* ±			