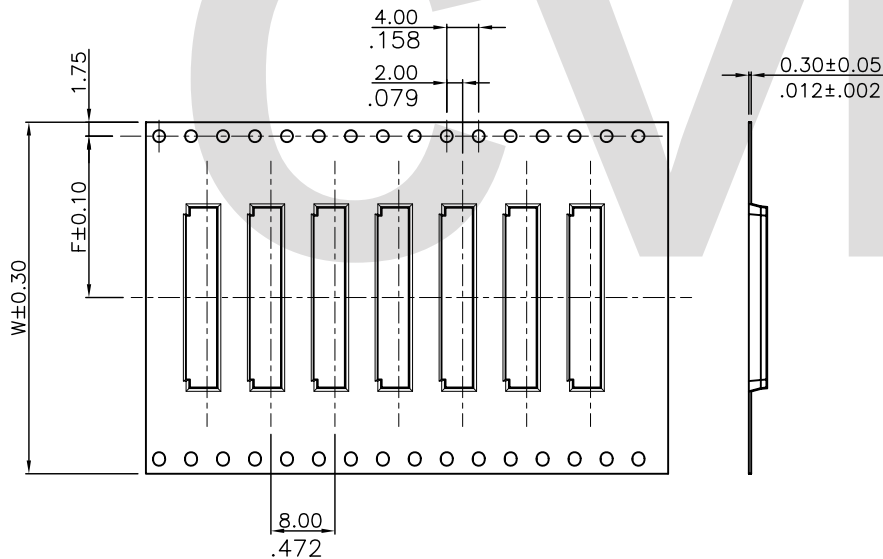
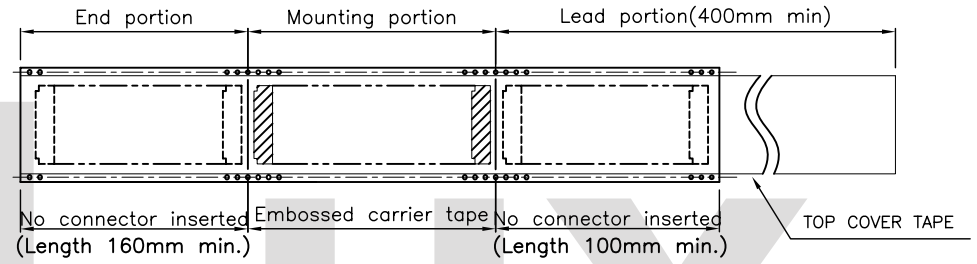


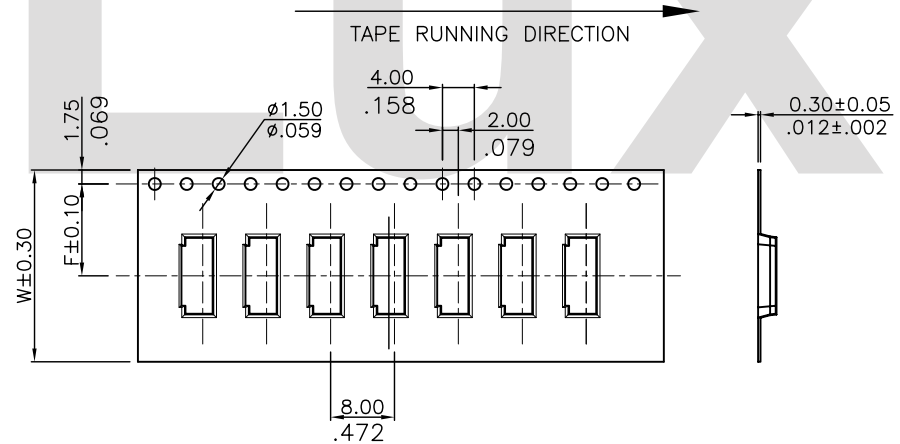
Notes:

1. 10 sprocket hole pitch cumulative tolerance ± 0.2
2. Camber not to exceed 1mm in 100mm.
3. Material: Polystyrene.
4. Pocket position relative to sprocket hole measured as true position of pocket, not pocket hole.
5. All dimensions meet EIA-481-B requirements.
6. Quantity: 3500 PCS/REEL

Circuits	Dimension					Packing (Reel/Caton)
	W	F	W1	W2	W3	
4-11	16.0(.630)	7.50(.295)	16.5(.650)	22.5(.885)	16.5(.650)	11
12-27	24.0(.945)	11.50(.453)	24.5(.965)	30.5(1.200)	24.5(.965)	9
28-39	32.0(1.260)	14.20(.559)	32.5(1.280)	38.5(1.516)	32.5(1.280)	7
40~50	44.0(1.732)	20.20(.795)	44.5(1.752)	50.5(1.988)	44.5(1.752)	5



WIDTH : 32, 44, 56 mm Carrier
(SCALE 1:8)



WIDTH : 16, 24 mm Carrier
(SCALE 1:8)

RoHS Compliant

4					DATE	UNIT: mm / inch	TITLE: 0.50mm(.020") ZIF FFC/FPC BACK FLIP CONNECTOR	瀚荃股份有限公司 CviLux Corporation	DRAWING NO. CF4201SA	PART NO. CF42***H0R0-05-NH
3					3/17-14'	TOLERANCE UNLESS OTHERWISE SPECIFIED	MATERIAL:			
2					3/17-14'	.X ± 0.15/.006 X.* ±	FINISH:			
1					3/17-14'	.XX ± 0.10/.004 X.* ± 1'				
SYM	NAME	DATE	REVISIONS	APPROVED BY:	3/17-14'	.XXX ± .XX ±				

DRAWN BY: Claire
 ENGINEER: Francis
 CHECKED BY: Jerry
 APPROVED BY: Scott