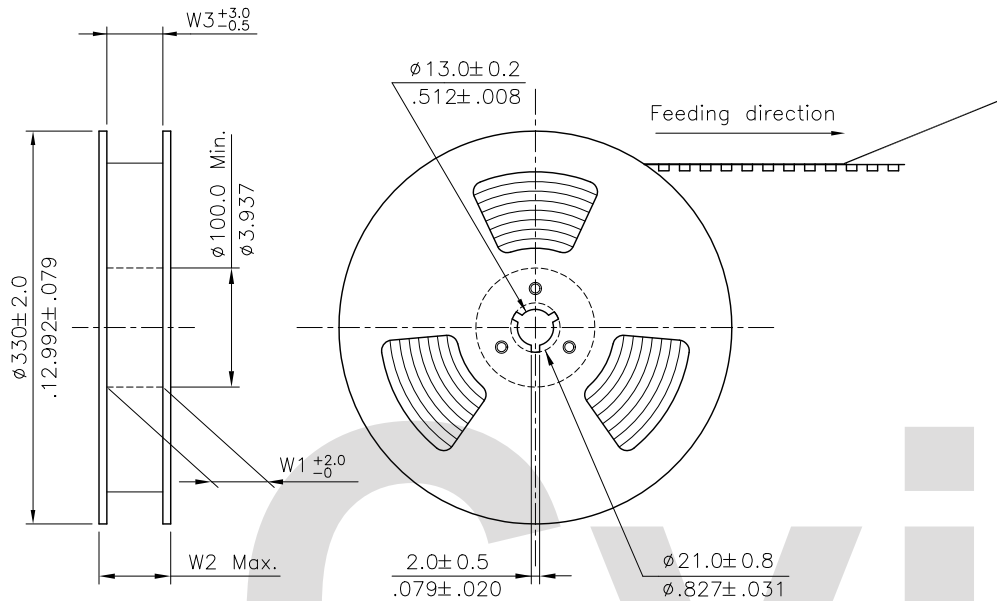
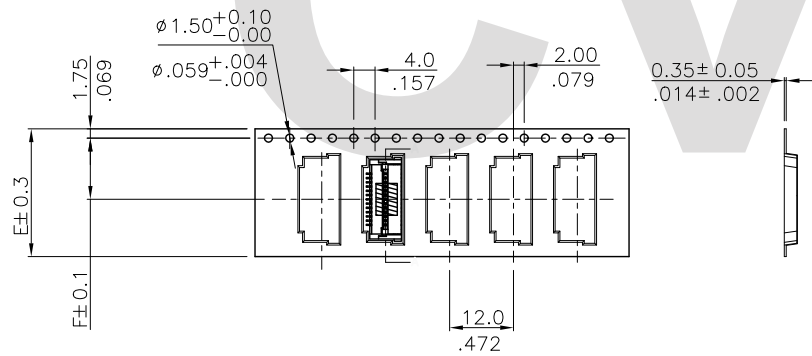
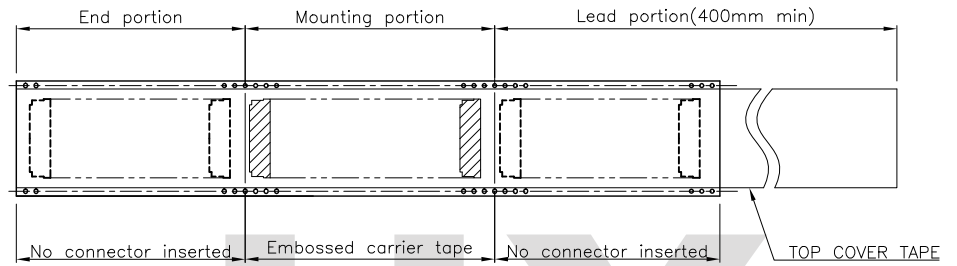


Notes:

1. 10 sprocket hole pitch cumulative tolerance  $\pm 0.2$
2. Camber not to exceed 1mm in 100mm.
3. Material: Black Advantek Polystyrene.
4. Pocket position relative to sprocket hole measured as true position of pocket, not pocket hole.
5. All dimensions meet EIA-481-B requirements.
6. Quantity: 2000 PCS/REEL

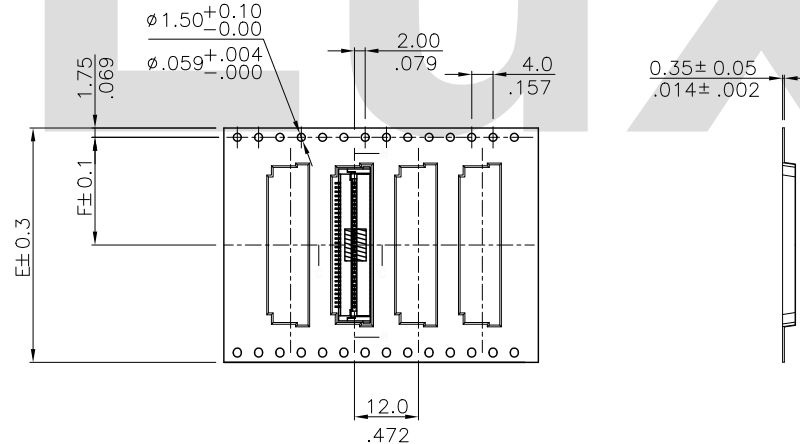


Circuits	Dimension					Packing (Reel/Caton)
	E	F	W1	W2	W3	
4-13	24.0(.945)	11.50(.453)	24.5(.965)	30.5(1.200)	24.5(.965)	9
14-20	32.0(1.260)	14.20(.559)	32.5(1.280)	38.5(1.516)	32.5(1.280)	7
21-35	44.0(1.732)	20.20(.795)	44.5(1.752)	50.5(1.988)	44.5(1.752)	5
36-40	56.0(2.205)	26.2(1.031)	56.5(2.224)	62.5(2.460)	56.5(2.224)	4




WIDTH : 24 mm Carrier

(SCALE 1:1)



WIDTH : 32, 44, 56 mm Carrier

RoHS Compliant

4					DATE	UNIT: mm / inch	TITLE: 0.80mm(.031") ZIF FFC/FPC ONE-TOUCH CONNECTOR	 瀚荃股份有限公司 CviLux Corporation
3					DATE	TOLERANCE UNLESS OTHERWISE SPECIFIED	MATERIAL:	
2					DATE	.X $\pm 0.20/.008$	FINISH:	DRAWING NO. CF3201SA
1					DATE	.XX $\pm 0.15/.006$		PART NO. CF32***D0**-NH
SYM	NAME	DATE	REVISIONS	APPROVED BY:	DATE	.XXX $\pm$		SCALE 6 / 1
				SCOTT	4/26-12'	.XX $\pm$		SHEET 3 OF 3

  
 CIVILUX CORP  
 2012.05.02  
 ISSUED

DRAWN BY: Clarie  
 ENGINEER: Francis  
 CHECKED BY: Jerry  
 APPROVED BY: Scott