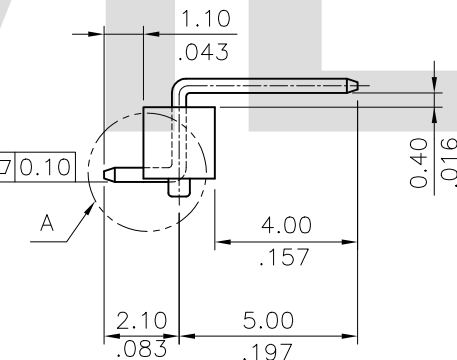
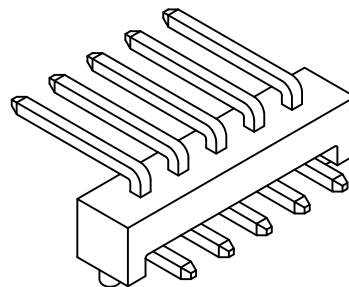


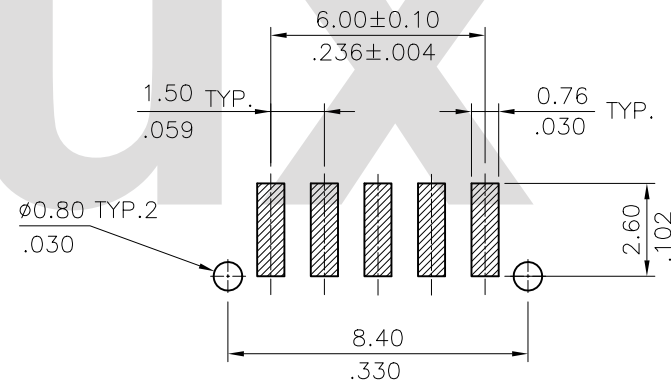
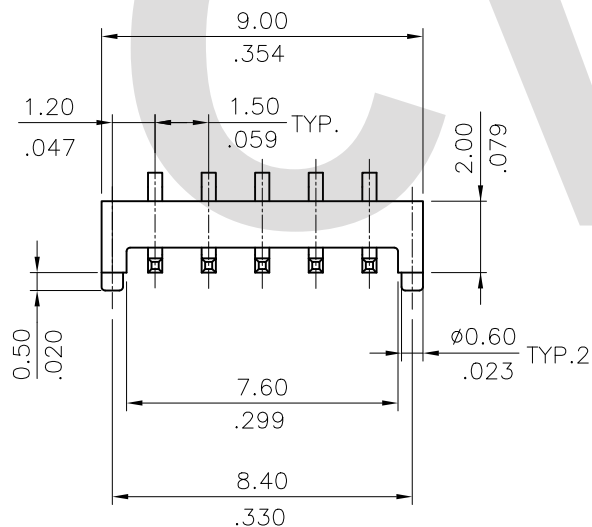
DETAIL "A" S:2/1



Ordering Code:

CH17 05 2 M A 00 -NH
 ① ② ③ ④ ⑤ ⑥ ⑦

- ① Series No.
- ② NO. of Circuits:
- ③ Plating code:
2= Gold flash plated over 1.27μm(50μ") Nickel
- ④ Tail Style: M= Side Entry SMT
- ⑤ Color: A= Color Black
- ⑥ Pin Length options:
- ⑦ -NH= For Lead Free IR Processes and Halogen-Free



Recommended P.C. Board Layout
 GENERAL TOLERANCE ±0.05

Halogen-Free Lead Free Process RoHS Compliant

④					DATE	UNIT: mm / inch	TITLE: 1.50MM(.059") SINGLE ROW BOARD MOUNT CONNECTOR	瀚荃股份有限公司 CviLux Corporation
③				DRAWN BY: Sandy	4/15-15'	TOLERANCE UNLESS OTHERWISE SPECIFIED	MATERIAL:	
②				ENGINEER: Sun	4/15-15'	.X ± 0.30/.012 X: ±	FINISH:	
①				CHECKED BY: Eisley	4/15-15'	.XX ± 0.20/.008 .X: ±	DRAWING NO. CH1701SA PART NO. CH17052MA00-NH	
	NAME	DATE	REVISIONS	APPROVED BY: Eisley	4/15-15'	.XXX ± 0.10/.004 .XX: ±	SCALE 4.5 / 1	SHEET 1 OF 1

CVILUX CORP
 2015.04.16
 ISSUED