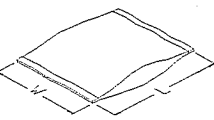




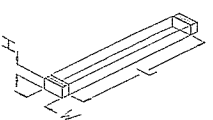
SERIES OR P/N	CIRCUITS	PACKING METHOD CODE	INNER PACKING NO.	INNER PACKING SIZE (CM)			INNER PACKING QTY	INSIDE CARTON NO.	INSIDE CARTON SIZE (CM)			PCS / INSIDE CARTON	CARTON NO.	CARTON SIZE (CM)			PCS / CARTON	G.W REF. (KG)
				L	W	H			L	W	H			L	W	H		
CB74042M100	4	C					1000											
CB74062M100	6	C					500											
CB74082M100	8	B					77											
CB74102M100	10	B					62											
CB74122M100	12	B					51											
CB74142M100	14	B					44											
CB74162M100	16	B					38											
CB74182M100	18	B					34											
CB74202M100	20	B					30											
CB74222M100	22	B					28											
CB74242M100	24	B					25											
CB74262M100	26	B					23											
CB74282M100	28	B					22											
CB74302M100	30	B					20											
CB74322M100	32	B					19											
CB74342M100	34	B					18											
CB74362M100	36	B					17											
CB74382M100	38	B					16											
CB74402M100	40	B					15											
CB74422M100	42	B					14											
CB74442M100	44	B					14											
CB74462M100	46	B					13											
CB74482M100	48	B					12											
CB74502M100	50	B					12											
CB74522M100	52	B					11											
CB74542M100	54	B					11											
CB74562M100	56	B					11											
CB74582M100	58	B					10											

PACKING METHOD (包裝方式) :

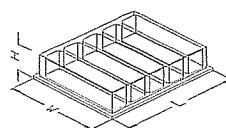
1 PVC BAG (塑膠袋)
SIZE = L * W



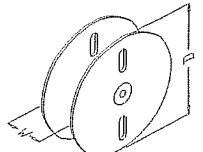
2 TUBE (塑膠管)
SIZE = L * W * H



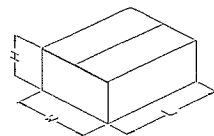
3 PVC TRAY (塑膠盒)
SIZE = L * W * H



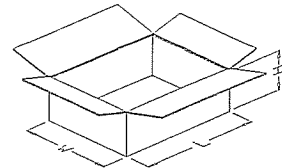
4 REEL (盤)
SIZE = D * W



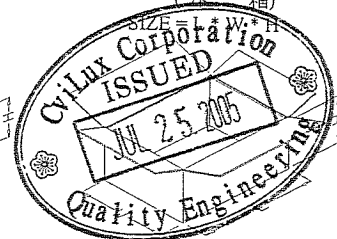
5 BOX (內紙盒)
SIZE = L * W * H



6 INSIDE CARTON (內箱)
SIZE = L * W * H



7 OUTSIDE CARTON (外箱)

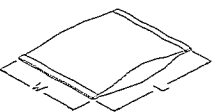
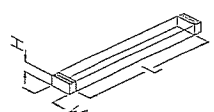
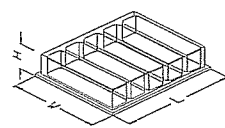
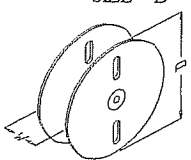
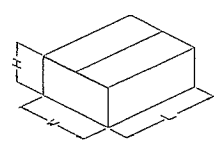
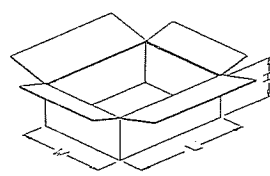
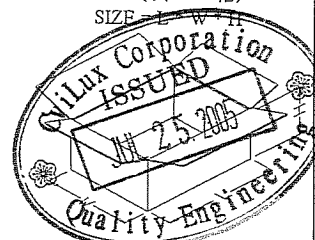


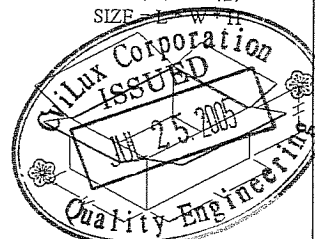
PACKING METHOD CODE (包裝方式代碼):
 A = 1 → 7
 B = 2 → 7
 C = 3 → 7
 D = 4 → 7
 E = 5 → 7
 F = 1 → 6 → 7
 G = 2 → 6 → 7
 H = 3 → 6 → 7



SERIES OR P/N	CIRCUITS	PACKING METHOD CODE	INNER PACKING NO.	INNER PACKING SIZE (CM)			INNER PACKING QTY	INSIDE CARTON SIZE (CM)			PCS / INSIDE CARTON	CARTON NO.	CARTON SIZE (CM)			PCS / CARTON	G.W REF. (KG)
				L	W	H		L	W	H			L	W	H		
CB74602M100	60	B					10										
CB74622M100	62	B					10										
CB74642M100	64	B					9										
CB74662M100	66	B					9										
CB74682M100	68	B					9										
CB74702M100	70	B					8										
CB74722M100	72	B					8										
CB74742M100	74	B					8										
CB74762M100	76	B					8										
CB74782M100	78	B					7										
CB74802M100	80	B					7										

PACKING METHOD (包裝方式) :

<p>1 PVC BAG (塑膠袋) SIZE = L * W</p> 	<p>2 TUBE (塑膠管) SIZE = L * W * H</p> 	<p>3 PVC TRAY (塑膠盒) SIZE = L * W * H</p> 	<p>4 REEL (盤) SIZE = D * W</p> 	<p>5 BOX (內紙盒) SIZE = L * W * H</p> 	<p>6 INSIDE CARTON (內箱) SIZE = L * W * H</p> 	<p>7 OUTSIDE CARTON (外箱) SIZE = L * W * H</p> 	<p>PACKING METHOD CODE (包裝方式代碼):</p> <ul style="list-style-type: none"> <input type="checkbox"/> A = 1 → 7 <input checked="" type="checkbox"/> B = 2 → 7 <input type="checkbox"/> C = 3 → 7 <input type="checkbox"/> D = 4 → 7 <input type="checkbox"/> E = 5 → 7 <input type="checkbox"/> F = 1 → 6 → 7 <input type="checkbox"/> G = 2 → 6 → 7 <input type="checkbox"/> H = 3 → 6 → 7
---	--	--	---	---	--	---	--



核准：Smith

審核：Jackal

製訂：Rita