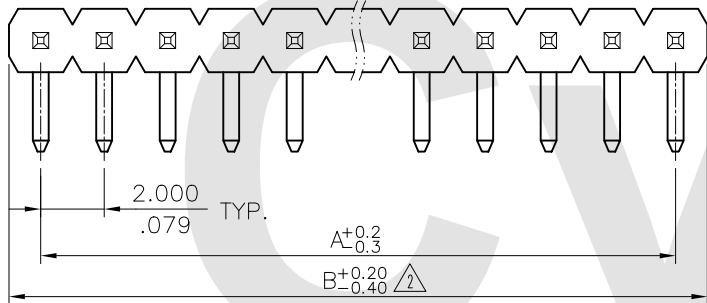


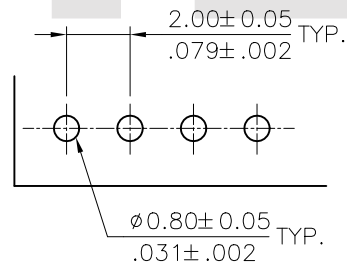
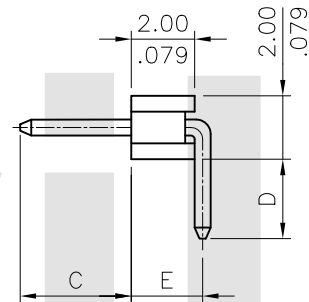
0.50
.020 TYP.



A = 2.0 * No. of Spaces

B = A + 2.0

* Available in 2 through 40 circuits



Recommended P.C. Board Layout

Notes:

* Material:

Contact: Brass

△ * Pin overall Length 30.0mm Max.

* For Lead Free Wave Flow Process

Ordering Code

CH11 ** * H A ** -NH
① ② ③ ④ ⑤ ⑥ ⑦

① Series No.

② No. of Circuits

③ Plating Code:

1= 2.54μm(100μ") Min. Tin Plated
over 1.27μm(50μ") Nickel(Matte Tin Plated)

2= Gold flash plated
over 1.27μm(50μ") Nickel

④ H= Right angle

⑤ Insulation: A= Nylon 6T UL 94V-0, Color Black

⑥ Pin Length Option cord:



See Table PDF. File No. CH1103T

⑦ -NH= For Lead Free Wave Processes and
Halogen-Free

Halogen-Free

Lead Free Process

RoHS Compliant

△4					DATE	UNIT: mm / inch	TITLE: 2.00MM(.079") RIGHT ANGLE	 瀚荃股份有限公司 CviLux Corporation
△3					DRAWN BY: Aaron	TOLERANCE UNLESS OTHERWISE SPECIFIED	SINGLE ROW BOARD MOUNT PIN HEADER	
△2	Aaron	10/21-16'	ECNT116250/ECRB116072		ENGINEER: Sun	.X ± 0.30 / .012	X' ± 1'	DRAWING NO. CH1155SC PART NO. CH11***HA**-NH
△1	Sun	10/6-08'	ECN08478/ECR08118-1		CHECKED BY: Eisley	12/06-16'	.XX ± 0.20 / .008	
SYM	NAME	DATE	REVISIONS		APPROVED BY: Eisley	12/16-16'	.XXX ± 0.10 / .004	.XX' ±