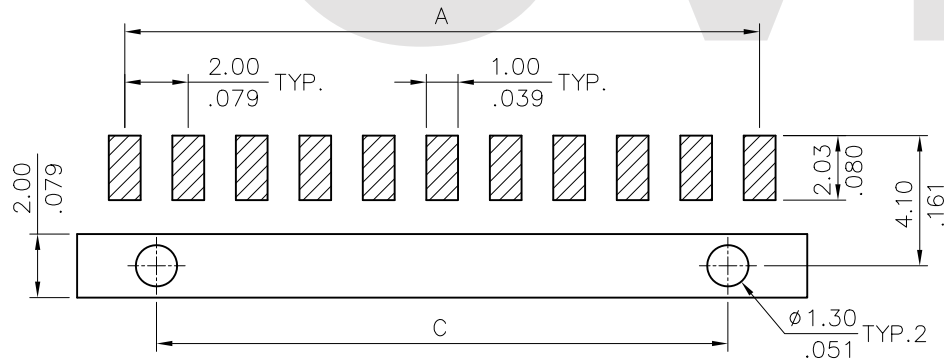
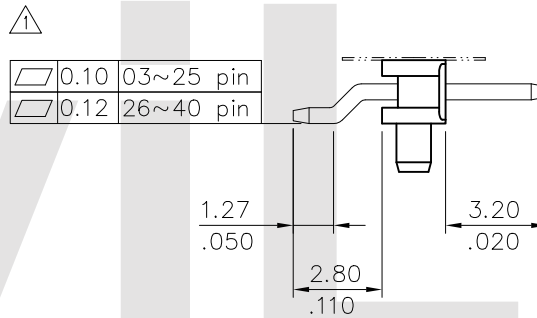
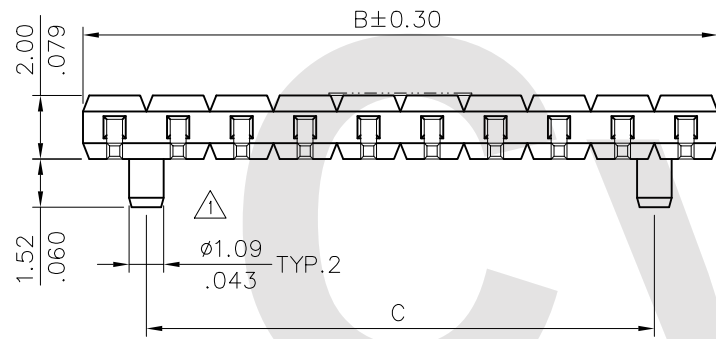


Material:
* Contact: Brass

Ordering Code

CH11 ** 1 N B 00 -0M
① ② ③ ④ ⑤ ⑥ ⑦

- ① Series No.
- ② No. of Circuits
- ③ Plating Code:
1=3.05 μ m(120 μ "") Min. Matte Tin
over 0.79 μ m(30 μ "") Nickel
- ④ Tail Style: N= Side entry SMT Type
- ⑤ Insulation:
B= Nylon 9T UL 94V-0, Color Black
- ⑥ 00= Pin Length
- ⑦ OM=With Mylar
Tape & Reel packing (2~37 Pin)
TM=With Mylar
Tube Packing (2~40 Pin)



Recommended P.C. Board Layout

DIM. A=2.00 X NO. OF SPACES

DIM. B=A + 2.0

DIM. C=A - 2.0

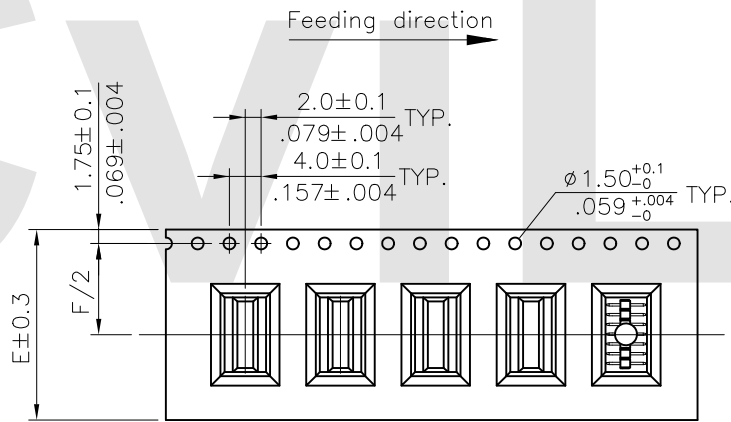
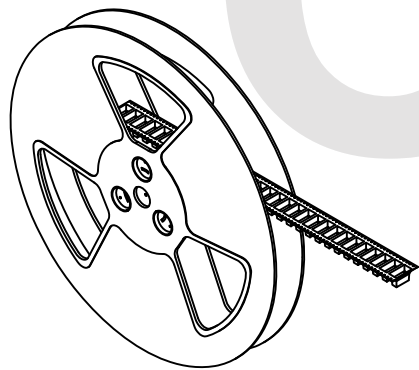
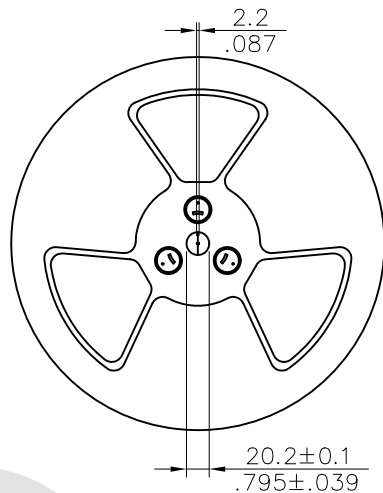
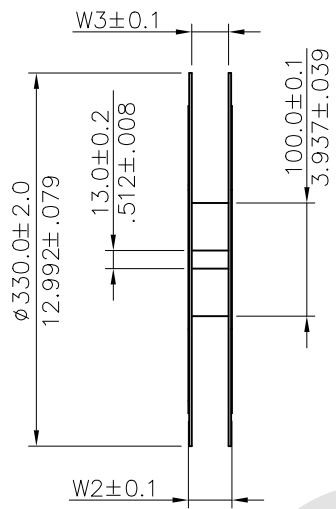
* Available in 2 through 40 circuits

Lead Free Process

RoHS Compliant

④					DATE	UNIT: mm / inch	TITLE: 2.00MM(.079") SIDE ENTRY SINGLE ROW BORAD MOUNT PIN HEADER	瀚荃股份有限公司 CviLux Corporation
③					DRAWN BY: Sandy 8/10-16'	TOLERANCE UNLESS OTHERWISE SPECIFIED	MATERIAL:	
②					ENGINEER: Sun 8/12-16'	.X ± 0.30 / .012 X' ± 1'	FINISH:	DRAWING NO. CH11173SB PART NO. CH11**1NB00-0M CH11**1NB00-TM
①	Sandy	8/10-16'	ECNT116176		CHECKED BY: Eisley 8/15-16'	.XX ± 0.20 / .008 X' ±		SCALE 4 / 1 SHEET 1 OF 2
SYM	NAME	DATE	REVISIONS		APPROVED BY: Eisley 8/15-16'	.XXX ± 0.10 / .004 .XX ±		

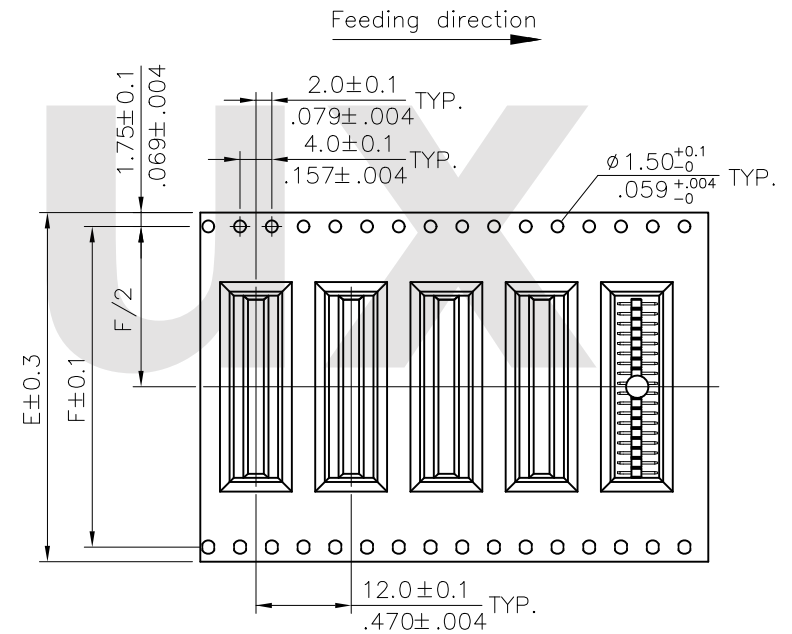
2016.08.18
 ISSUED




WIDTH : 24 mm Carrier

- NOTE:
1. 10 sprocket hole pitch cumulative tolerance ± 0.2
 2. Carrier camber is 1mm in 100mm
 3. All dimensions meet EIA-481-2 requirements
 4. Quantity : 1000 PCS/Reel

Circuits	Dimension			
	E	F	W2	W3
3-6	24.0(0.944)	23.00(0.906)	29.1(1.146)	24.5(0.965)
7-9	32.0(1.260)	28.40(1.118)	37.0(1.457)	32.5(1.280)
10-15	44.0(1.732)	40.40(1.591)	49.1(1.933)	44.5(1.752)
16-21	56.0(2.205)	52.40(2.063)	61.1(2.406)	56.5(2.224)
22-29	72.0(2.835)	68.40(2.693)	77.1(3.035)	72.5(2.854)
30-37	88.0(3.465)	84.40(3.323)	93.1(3.665)	88.5(3.484)



WIDTH : 32, 44, 56, 72, 88 mm Carrier

4					DATE	UNIT: mm / inch	TITLE: 2.00MM(.079") SIDE ENTRY	 瀚荃股份有限公司 CviLux Corporation	
3					DRAWN BY: Sandy 8/10-16'	TOLERANCE UNLESS OTHERWISE SPECIFIED	SINGLE ROW BORAD MOUNT PIN HEADER		
2					ENGINEER: Sun 8/12-16'	.X ±	MATERIAL:	DRAWING NO. CH11173SB PART NO. CH11**1NB00-OM	
1	Sandy	8/10-16'	ECNT116176		CHECKED BY: Eisley 8/15-16'	.XX ±	FINISH:		CH11**1NB00-TM
SYM	NAME	DATE	REVISIONS		APPROVED BY: Eisley 8/15-16'	.XXX ±		SCALE	SHEET 2 OF 2

