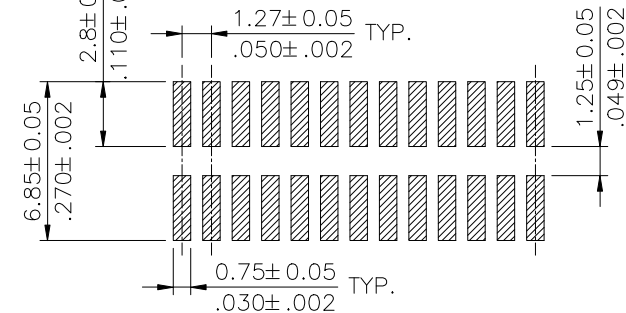
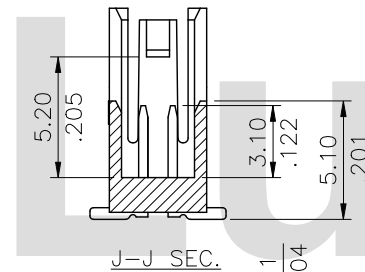
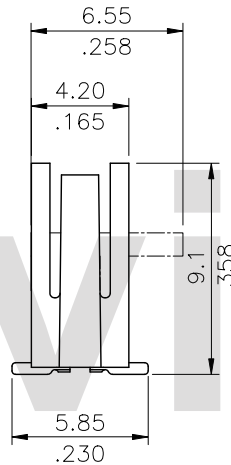
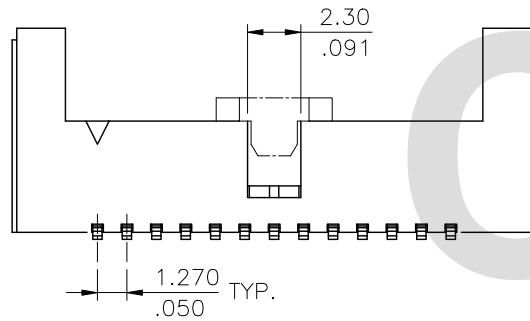


Note:
 * Insulation: Nylon 6T UL 94V-0
 Color Black
 * Contact: Brass
 * For Lead Free IR Reflow process

Ordering Code:

CH06 ** 2 M A L0 - NH
 ① ② ③ ④ ⑤ ⑥ ⑦

- ① Series No.
- ② No. of contacts
- ③ Plating option:
 2= Gold flash plated over 1.27μm(50u") Nickel
- ④ Tail style: M = SMT TYPE
- ⑤ Color: A= Black
- ⑥ Option: L0= Latch Type
- ⑦ -NH= For Lead Free IR Processes and Halogen-Free

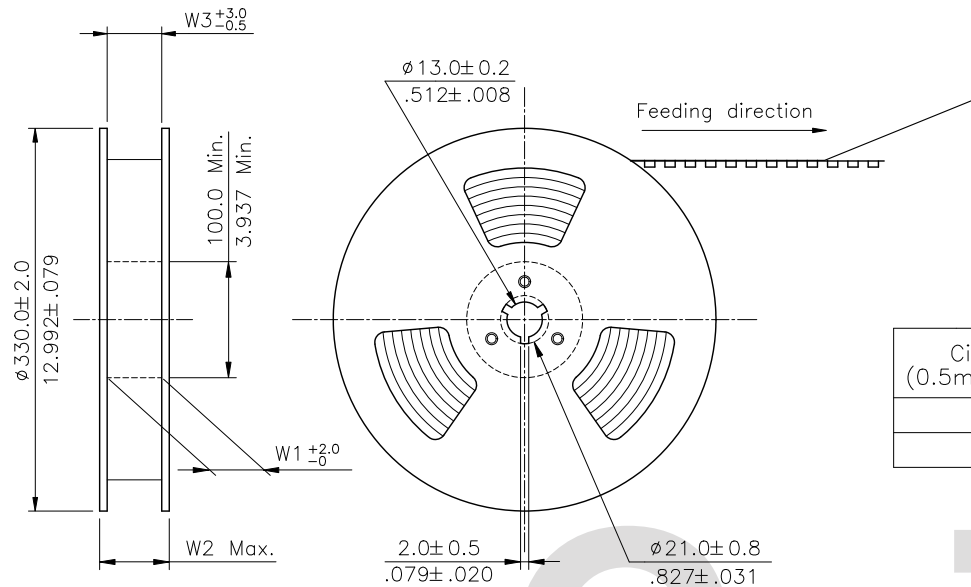


Circuits	Dimension		
	A	B	C
6	2.54(.100)	9.91(.390)	8.40(.331)
14	7.62(.300)	14.99(.590)	13.48(.531)
26	15.24(.600)	22.61(.890)	21.10(.831)

Halogen-Free
 Lead Free Process
 RoHS Compliant

Recommended P.C. Board Layout

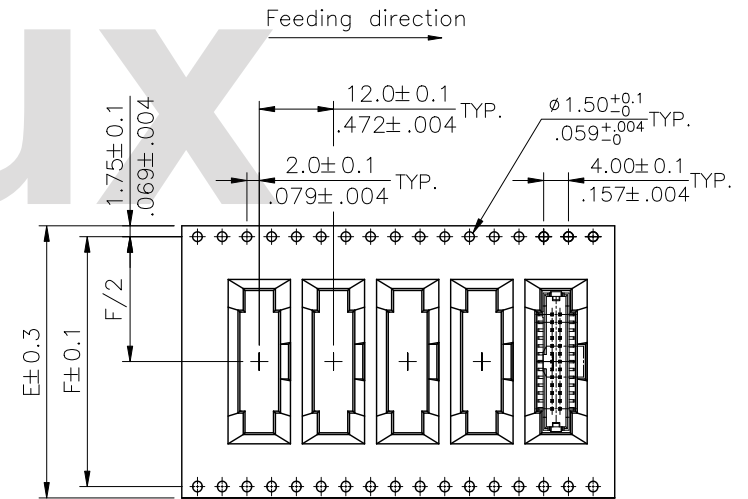
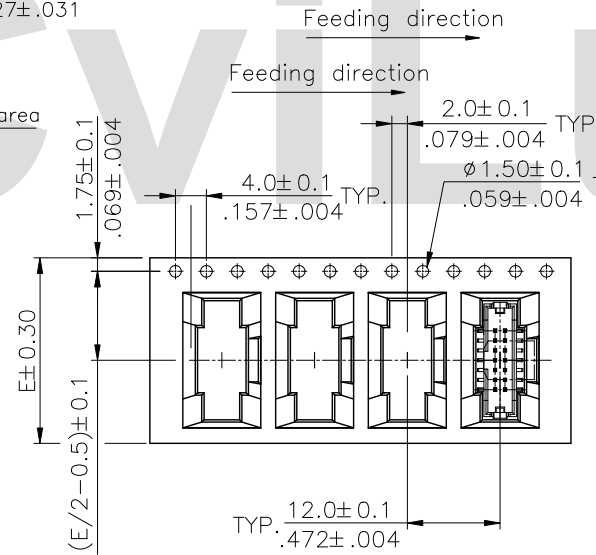
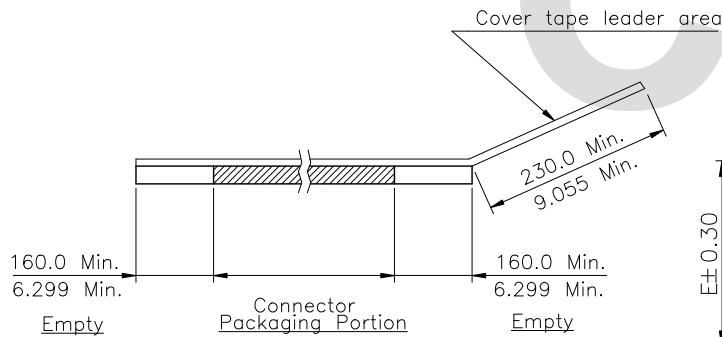
④					DATE	UNIT: mm / inch	TITLE: 1.27MM(.050") STRAIGHT DUAL ROW BORAD MOUNT PIN HEADER	瀚荃股份有限公司 CviLux Corporation
③				DRAWN BY: Hank	4/11-14'	TOLERANCE UNLESS OTHERWISE SPECIFIED	MATERIAL:	
②				ENGINEER: Eisley	4/11-14'	.X ± 0.30/.012 X* ± 1"	FINISH:	PART NO. CH06***MAL0-NH
①				CHECKED BY: Eisley	4/11-14'	.XX ± 0.20/.008 X* ±		SCALE 3 / 1
SYM	NAME	DATE	REVISIONS	APPROVED BY: David	4/11-14'	.XX ± 0.10/.004 XX* ±		



NOTES:

1. 10 sprocket hole pitch cumulative tolerance ± 0.20
2. Carrier camber is within 1 mm in 250 mm.
3. Material :Transparent ps.
4. All dimensions meet EIA-481-B requirements.
5. Thickness : 0.50 ± 0.05 mm.
6. Packing length per 22" Reel : 21.6 Meters.
7. Component load per 13" Reel : 550 pcs.

Circuits (0.5mm Pitch)	Dimension					Packing (Reel/Caton)
	E	F	W1	W2	W3	
6,14	24.0(.945)	—	24.5(.965)	30.5(1.200)	24.5(.965)	9
26	44.0(1.732)	40.4(1.596)	44.5(1.752)	50.5(1.988)	44.5(1.751)	5



WIDTH : 24 mm Carrier

WIDTH : 44 mm Carrier

RoHS Compliant

4					DATE	UNIT: mm / inch	TITLE: 1.27MM(.050") STRAIGHT DUAL ROW BORAD MOUNT PIN HEADER	瀚荃股份有限公司 CviLux Corporation		
3					DRAWN BY: Hank	4/11-14'	TOLERANCE UNLESS OTHERWISE SPECIFIED			MATERIAL:
2					ENGINEER: Eisley	4/11-14'	.X ±	.X' ± 1'	DRAWING NO. CH0601S2	
1					CHECKED BY: Eisley	4/11-14'	.XX ±	.X' ±	PART NO. CH06***MALO-NH	
SYM	NAME	DATE	REVISIONS		APPROVED BY: David	4/11-14'	.XXX ±	.XX ±	CUSTOMER:	
									SCALE	SHEET 2 OF 2

CIVILUX CORP.
 2014.04.11
 ISSUED