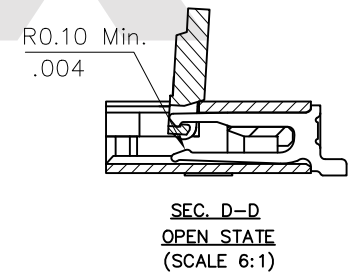
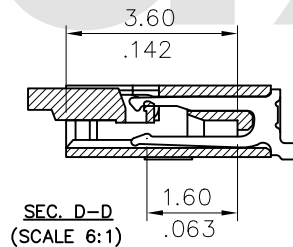
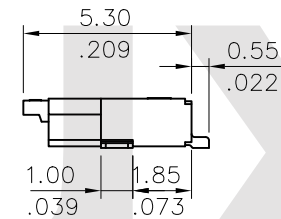


Ordering Code:

CF50 ** * D 0 RF - 10 -NH
 ① ② ③ ④ ⑤ ⑥ ⑦ ⑧

- ① Series No.
- ② No. of Circuits:
- ③ Plating code:
 1= 3.05um(120u") Min. Matte Tin over 0.76um(30u") Nickel
 F= 0.02 um(0.8u") Min. Gold Flash Plating on Contact area and Solderails, 1.27um(50u") Nickel Underplating over all and Solderails, 1.27um(50u") Nickel Underplating over all
- ④ Contact style: D= Downside contact
- ⑤ 0= Color Nature
- ⑥ Packing: RF= Tape & Reel ,Without Mylar
 TF= Tube Packing
- ⑦ -10= 1.0 Pitch
- ⑧ -NH= For Lead Free IR Processed and Halogen Free



Material :

- * Body: High temperature plastic UL 94V-0, Color Nature
- * Cover: High temperature plastic UL 94V-0, Color Black
- * Contact: Phosphor Bronze, Thickness 0.15±0.01
- * Fixed tab: Brass with Matte Tin Plated over Nickel, Thickness 0.15±0.01

A = 1.0 x No. of Spaces

B = A + 6.1

C = A + 2.07

* Available in 4 through 33 circuits

Halogen-Free

Lead Free Process

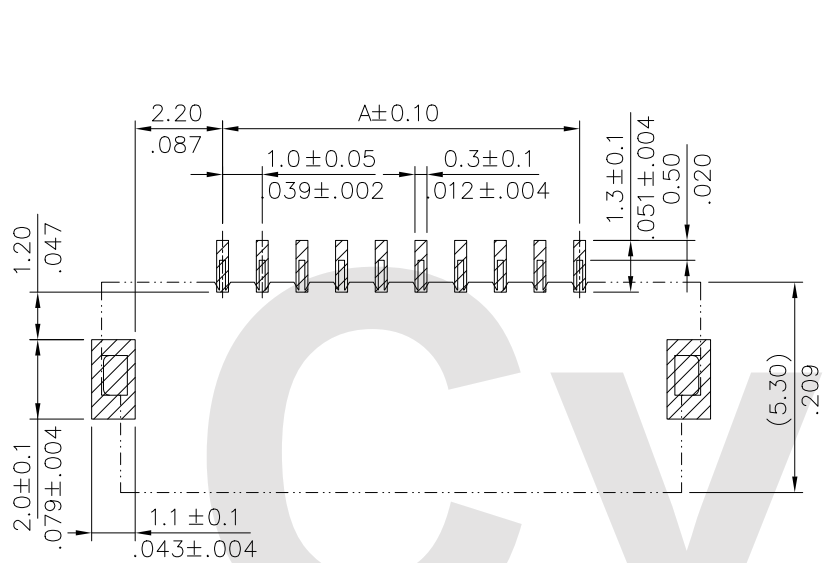
RoHS compliant

④						DATE	UNIT: mm / inch	TITLE: 1.00mm(.039") ZIF FFC/FPC ONE-TOUCH CONNECTOR MATERIAL: FINISH:	
③					DRAWN BY: Hark	3/10-16'	TOLERANCE UNLESS OTHERWISE SPECIFIED		
②					ENGINEER: Eisley	3/11-16'	.X ± 0.25/.010		X' ± 1'
①					CHECKED BY: Eisley	3/14-16'	.XX ± 0.15/.006		.X' ±
SYM	NAME	DATE	REVISIONS		APPROVED BY: David	3/14-16'	.XXX ± 0.05/.002		.XX' ±

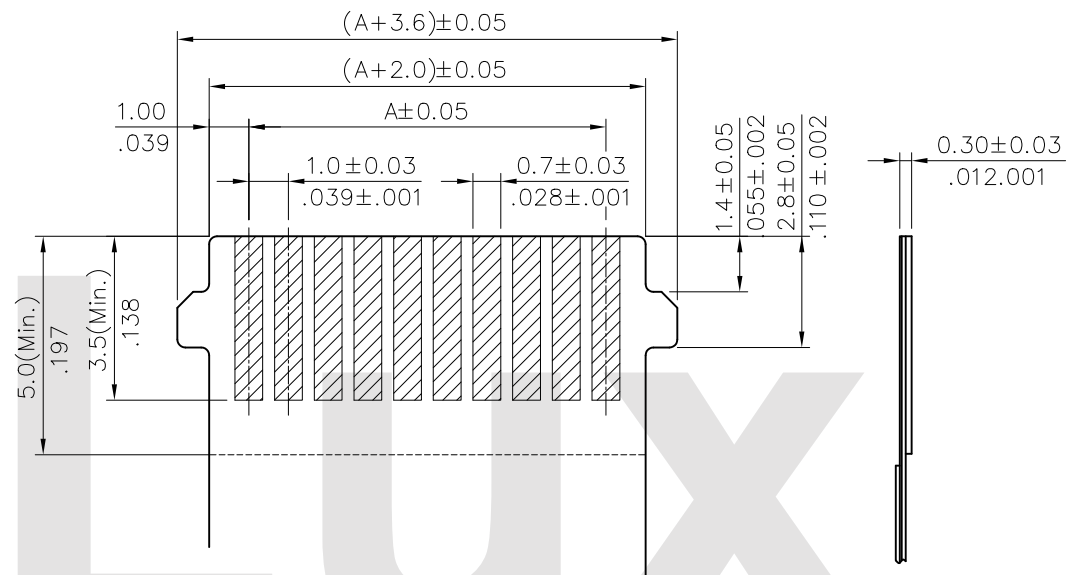


瀚荃股份有限公司
 CviLux Corporation

DRAWING NO.	CF5013SA	PART NO.	CF50***DORF-10-NH
SCALE	4 / 1	SHEET	1 OF 3



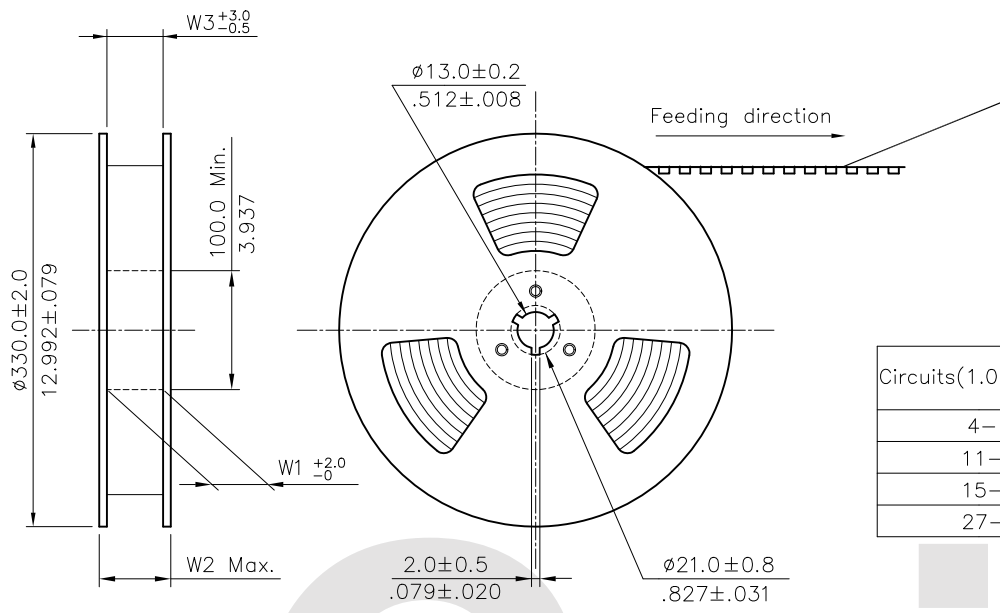
Recommended P.C. Board Layout



Accommodated FFC/FPC

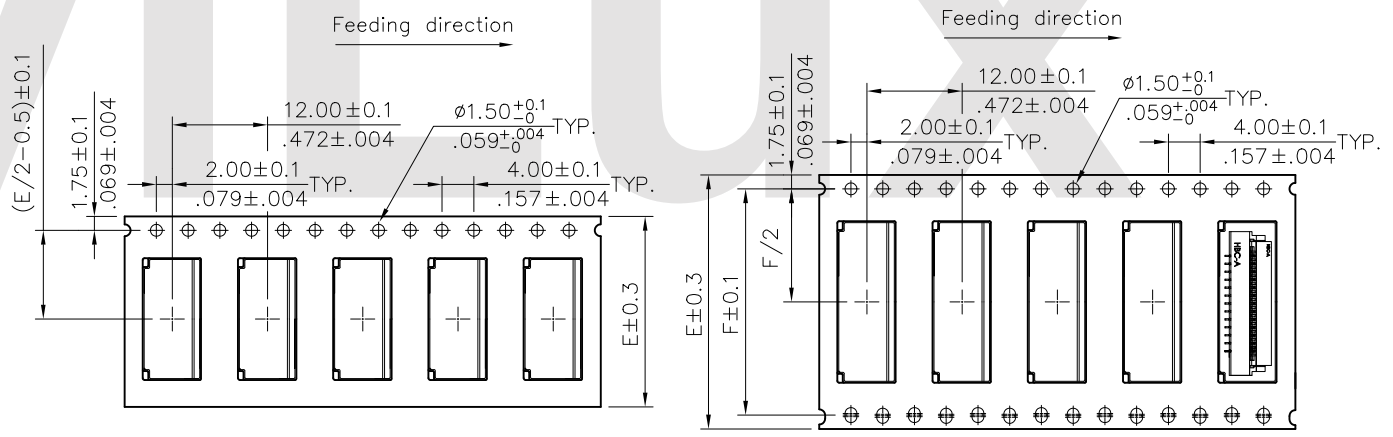
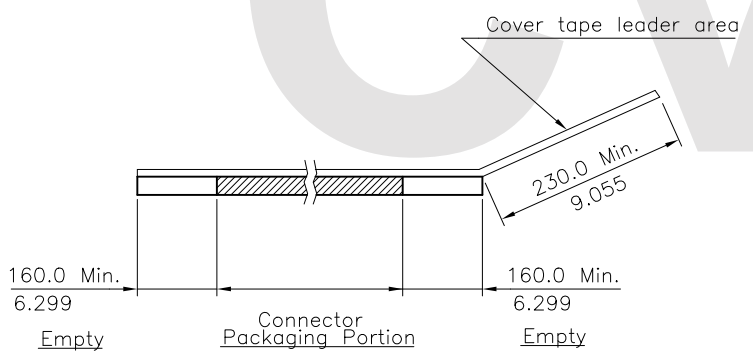
Halogen-Free Lead Free Process RoHS Compliant

4						DATE	UNIT: mm / inch	TITLE: 4.00MM(.157") WIRE TO BOARD CONNECTOR	 瀚荃股份有限公司 CviLux Corporation	
3			DRAWN BY: Hark		3/10-16'	TOLERANCE UNLESS OTHERWISE SPECIFIED		MATERIAL:		
2			ENGINEER: Eisley		3/11-16'	.X ± 0.25/.010	.X' ± 1"			
1			CHECKED BY: Eisley		3/14-16'	.XX ± 0.15/.006	.X' ±	FINISH:	DRAWING NO. CF5013SA	PART NO. CF50***DORF-10-NH
SYM	NAME	DATE	REVISIONS		APPROVED BY: David	3/14-16'	.XXX ± 0.05/.002	.XX' ±	SCALE 6 / 1	SHEET 2 OF 3



- NOTES:
1. 10 sprocket hole pitch cumulative tolerance ± 0.20
 2. Carrier camber is within 1 mm in 250 mm.
 3. Material :Transparent Anti-static Polysyrene.
 4. All dimensions meet EIA-481-2 requirements.
 5. Thickness : 0.30 ± 0.05 mm.
 6. Packing length per 22" Reel : 56 Meters.
 7. Component load per 13" Reel : 2500 pcs.

Circuits(1.0mm Pitch)	Dimension					Packing (Reel/Caton)
	E	F	W1	W2	W3	
4-10	24.0(.945)	—	24.5(.965)	30.5(1.200)	24.5(.965)	8
11-14	32.0(1.260)	28.40(1.118)	32.5(1.280)	38.5(1.516)	32.5(1.280)	6
15-26	44.0(1.732)	40.40(1.596)	44.5(1.752)	50.5(1.988)	44.5(1.752)	5
27-33	56.0(2.204)	52.50(2.067)	56.5(2.224)	62.5(2.460)	56.5(2.224)	4



WIDTH : 24 mm Carrier

WIDTH : 32,44,56 mm Carrier

RoHS Compliant

4					DATE	UNIT: mm / inch	TITLE: 4.00MM(.157") WIRE TO BOARD CONNECTOR	瀚荃股份有限公司 CviLux Corporation	
3				DRAWN BY: Hark	3/10-16'	TOLERANCE UNLESS OTHERWISE SPECIFIED	MATERIAL:		
2				ENGINEER: Eisley	3/11-16'	.X ± .X' ± 1'			
1				CHECKED BY: Eisley	3/14-16'	.XX ± .X' ±	FINISH:		
SYM	NAME	DATE	REVISIONS	APPROVED BY: David	3/14-16'	.XXX ± .XX' ±			
								DRAWING NO. CF5013SA	PART NO. CF50***DORF-10-NH
								SCALE	SHEET 3 OF 3

CVILUX CORP
2016.03.17
ISSUED