

Material :

- \* Base: Heat Resistance Plastic, UL 94V-0, Color Nature
- \* Cover: Heat Resistance Plastic, UL 94V-0, Color Black
- \* Contact: Phosphor Bronze
- \* Fixed tab: Brass with 2.54μm(100μ")Matte Tin Plated over 1.27μm(50μ")Nickel

## Ordering Code

CF50 \*\* \* D 0 R\* -05 -NH  
 ① ② ③ ④ ⑤ ⑥ ⑦ ⑧

① Series No.

② No. of Circuits:

③ Plating code:

- 1 = 2.50μm(100μ") Min. Matte Tin Plating on Contact area and Solderails, 1.27μm(50μ") Nickel Underplating over all
- F = 0.02μm(0.8μ") Min. Gold Flash Plating on Contact area and Solderails, 1.27μm(50μ") Nickel Underplating over all

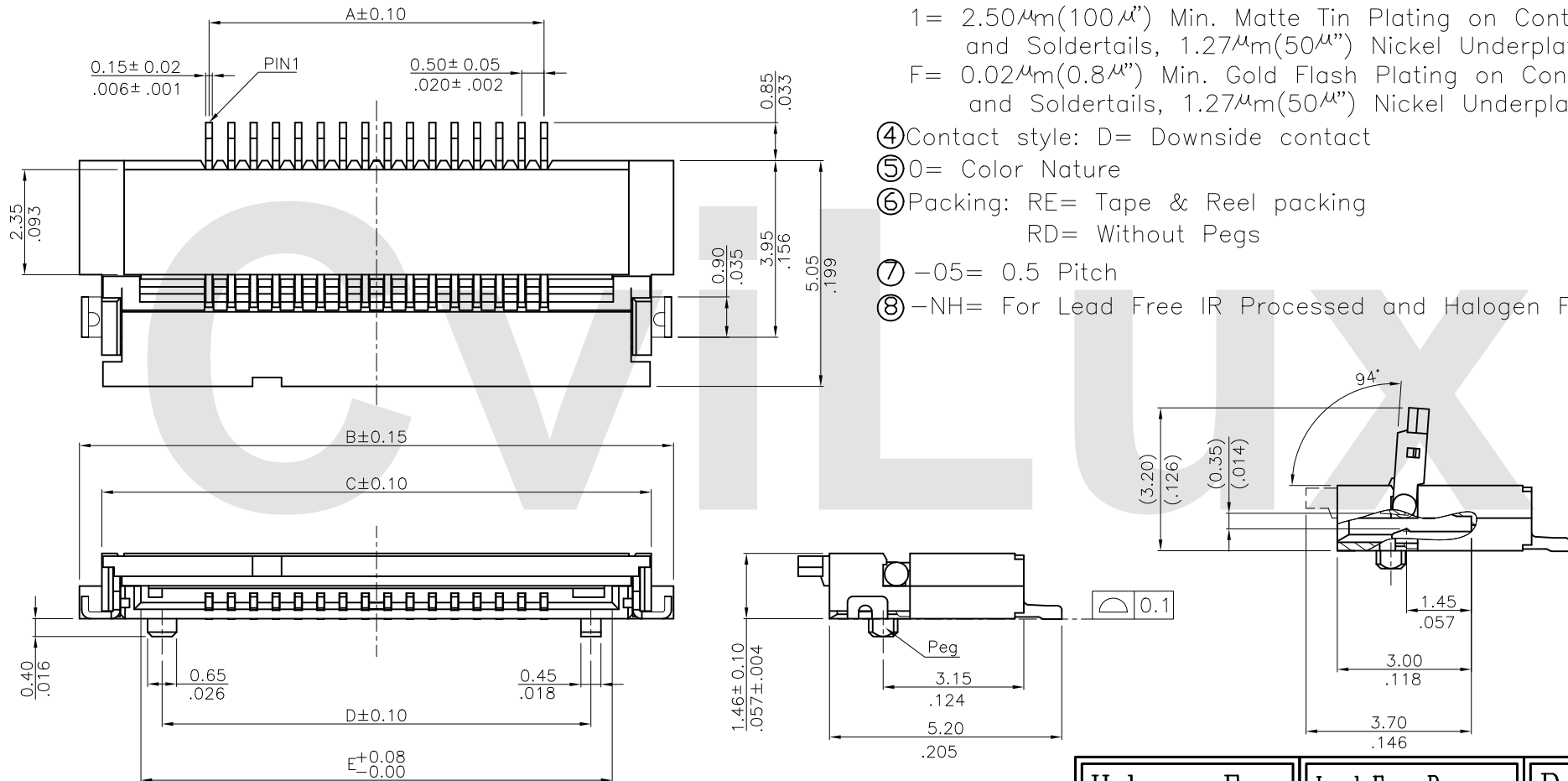
④ Contact style: D= Downside contact

⑤ 0= Color Nature

⑥ Packing: RE= Tape & Reel packing  
RD= Without Pegs

⑦ -05= 0.5 Pitch

⑧ -NH= For Lead Free IR Processed and Halogen Free



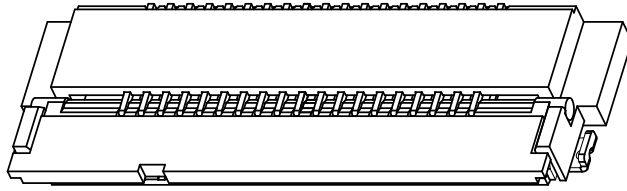
Halogen-Free    Lead Free Process    RoHS Compliant

④					DATE	UNIT: mm / inch	TITLE: 0.50mm(.020") ZIF FFC/FPC ONE-TOUCH CONNECTOR
③				DRAWN BY: Hank	3/28-16'	TOLERANCE UNLESS OTHERWISE SPECIFIED	MATERIAL: FINISH:
②				ENGINEER: Easley	3/31-16'	.X ± 0.25/.010    X: ±	
①				CHECKED BY: Easley	3/31-16'	.XX ± 0.15/.006    .X: ± 1'	
SYM	NAME	DATE	REVISIONS	APPROVED BY: David	3/31-16'	.XXX ±    .XX: ±	

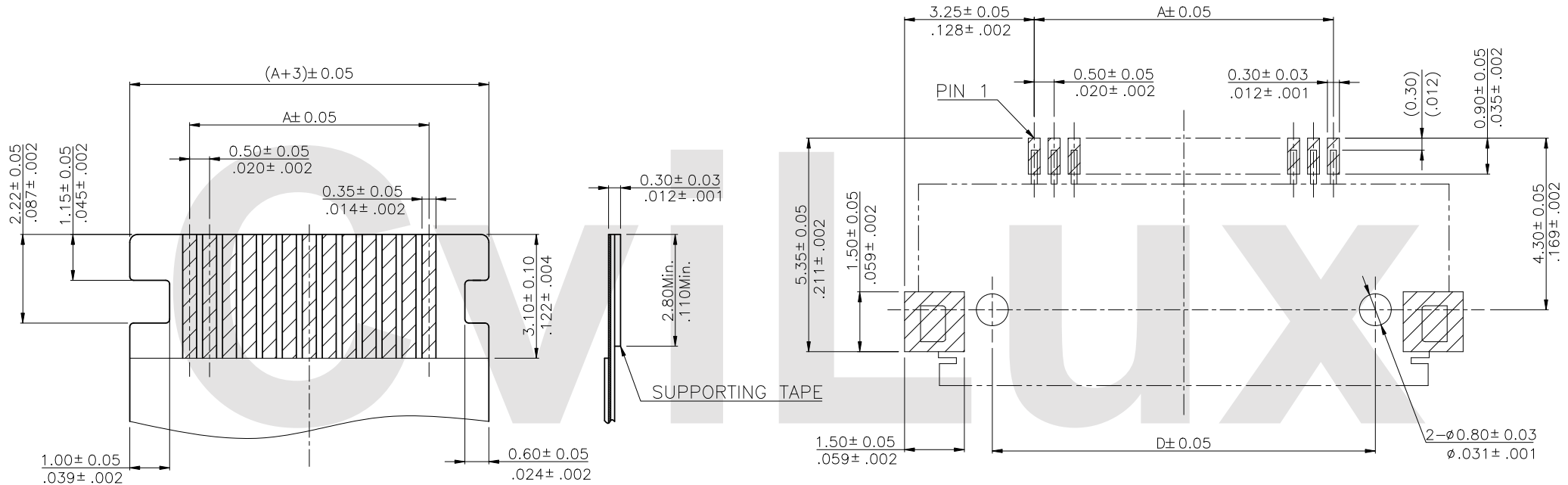
CVILUX CORP  
 2016.04.07  
 ISSUED

**瀚荃股份有限公司**  
CviLux Corporation

DRAWING NO.	CF5011SA	PART NO.	CF50***DOR*-05-NH
SCALE	10 / 1	SHEET	1 OF 3



(N)	A	B	C	D	E
6	2.50 (.098)	8.30 (.327)	7.30 (.287)	4.60 (.181)	5.55 (.219)
8	3.50 (.138)	9.30 (.366)	8.30 (.327)	5.60 (.220)	6.55 (.258)
12	5.50 (.217)	11.30 (.445)	10.30 (.406)	7.60 (.299)	8.55 (.337)
20	9.50 (.374)	15.30 (.602)	14.30 (.563)	11.60 (.457)	12.55 (.494)
24	11.50 (.453)	17.30 (.681)	16.30 (.642)	13.60 (.535)	14.55 (.573)
26	12.50 (.492)	18.30 (.720)	17.30 (.681)	14.60 (.575)	15.55 (.612)
32	15.50 (.610)	21.30 (.839)	20.30 (.799)	17.60 (.693)	18.55 (.730)
36	17.50 (.689)	23.30 (.917)	22.30 (.878)	19.60 (.772)	20.55 (.809)



Recommended PCB Layout

Accommodated FFC/FPC

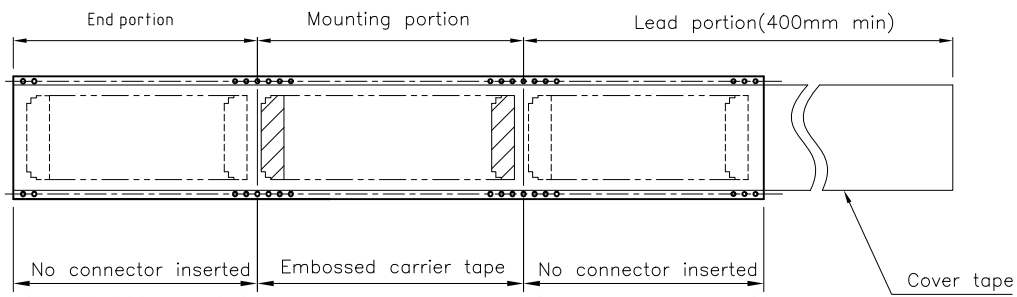
Halogen-Free    Lead Free Process    RoHS Compliant

SYM	NAME	DATE	REVISIONS	APPROVED BY:	DATE	UNIT:	TITLE:	DRAWING NO.	PART NO.	SHEET	OF	SHEET
4						mm / inch	0.50mm(.020") ZIF FFC/FPC ONE-TOUCH CONNECTOR	CF5011SA	CF50***DOR*-05-NH	2	OF	3
3						TOLERANCE UNLESS OTHERWISE SPECIFIED						
2						.X ± 0.25/.010    .X' ±						
1						.XX ± 0.15/.006    .X' ± 1'						
						.XXX ±						

CVILUX CORP  
2016.04.07  
ISSUED

瀚荃股份有限公司  
CviLux Corporation

DRAWING NO. CF5011SA    PART NO. CF50\*\*\*DOR\*-05-NH  
SCALE 10 / 1    SHEET 2 OF 3

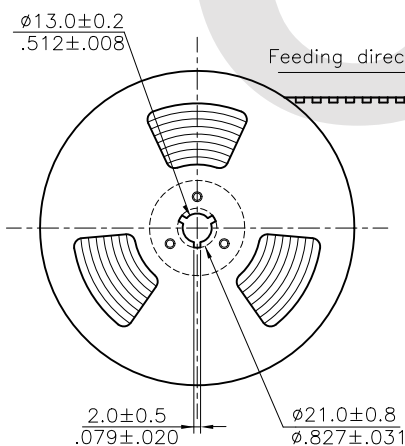
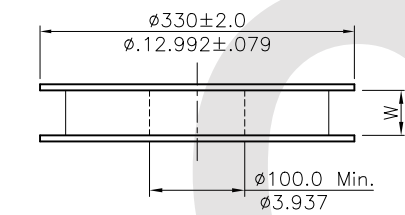


TAPE RUNNING DIRECTION

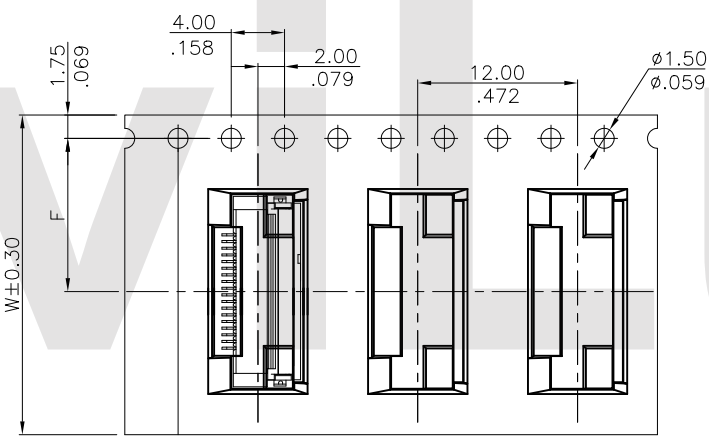
Notes:

1. 10 sprocket hole pitch cumulative tolerance  $\pm 0.2$
2. Material: Polystyrene.
3. Quantity: 2000 Pcs/Reel

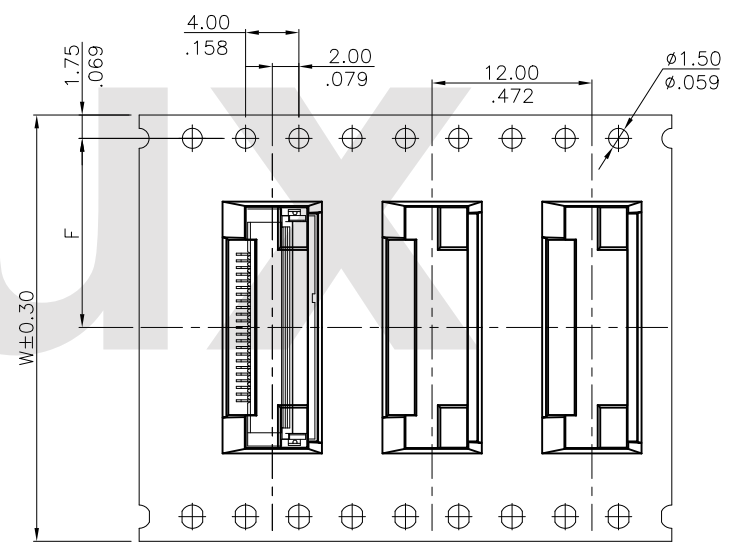
Circuits	Dimension		Packing (Reel/Caton)
	W	F	
6-24	24.0(.945)	14.20(.559)	9
25-32	32.0(1.260)	14.20(.559)	7
36	44.0(1.732)	20.20(.795)	5



REEL DIMENSIONS




WIDTH : 24 mm Carrier



WIDTH : 32,44,56 mm Carrier

RoHS Compliant

4					DATE	UNIT: mm / inch	TITLE: 0.50mm(.020") ZIF FFC/FPC ONE-TOUCH CONNECTOR	 <b>瀚荃股份有限公司</b> <b>CviLux Corporation</b>	
3				DRAWN BY: Hank	3/28-16'	TOLERANCE UNLESS OTHERWISE SPECIFIED	MATERIAL:		
2				ENGINEER: Eisley	3/31-16'	.X $\pm 0.25/010$ X: $\pm$	FINISH:		
1				CHECKED BY: Eisley	3/31-16'	.XX $\pm 0.15/006$ .X: $\pm 1'$	DRAWING NO. CF5011SA		PART NO. CF50***DOR*-05-NH
SYM	NAME	DATE	REVISIONS	APPROVED BY: David	3/31-16'	.XXX $\pm$ .XX: $\pm$	SCALE 10 / 1		SHEET 3 OF 3

CVILUX CORP  
 2016.04.07  
 ISSUED