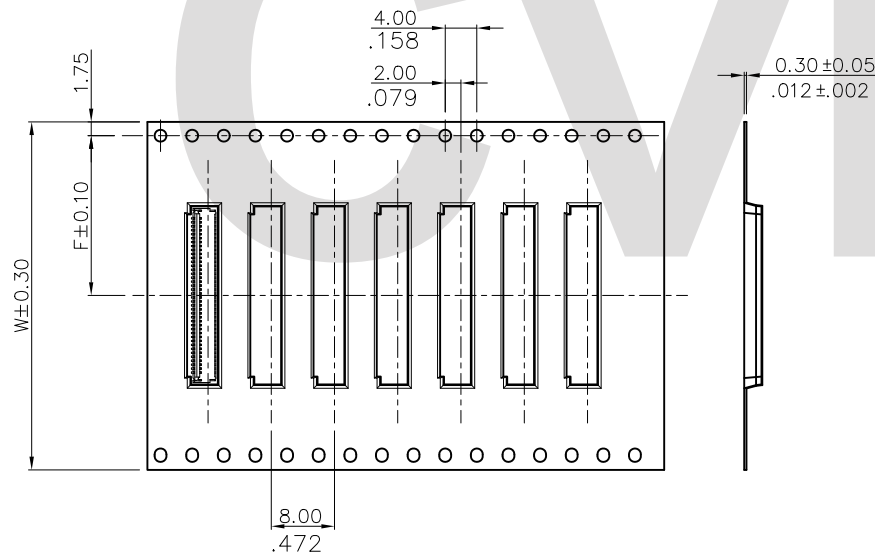
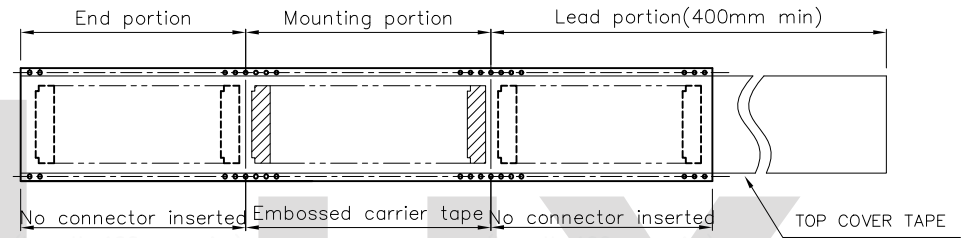


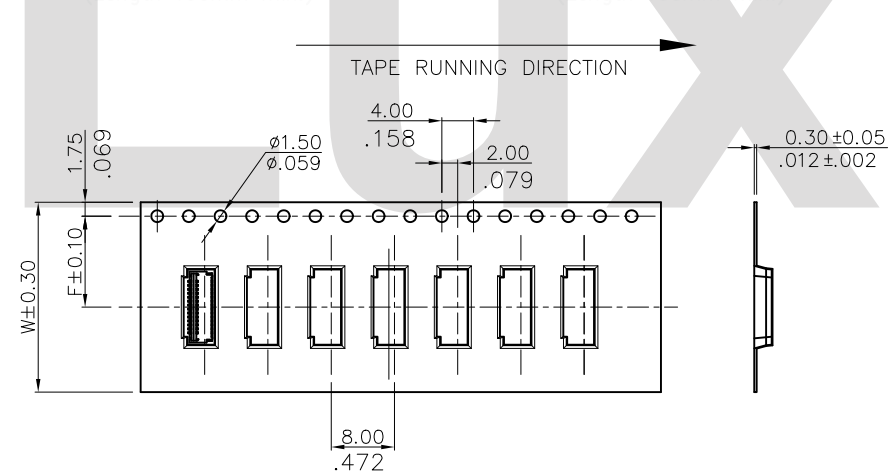
Notes:

1. 10 sprocket hole pitch cumulative tolerance  $\pm 0.2$
2. Camber not to exceed 1mm in 100mm.
3. Material: Polystyrene.
4. Pocket position relative to sprocket hole measured as true position of pocket, not pocket hole.
5. All dimensions meet EIA-481-B requirements.
6. Quantity: 3500 PCS/REEL

Circuits	Dimension					Packing (Reel/Caton)
	W	F	W1	W2	W3	
4-11	16.0(.630)	7.50(.295)	16.5(.650)	22.5(.885)	16.5(.650)	11
12-27	24.0(.945)	11.50(.453)	24.5(.965)	30.5(1.200)	24.5(.965)	9
28-39	32.0(1.260)	14.20(.559)	32.5(1.280)	38.5(1.516)	32.5(1.280)	7
40~50	44.0(1.732)	20.20(.795)	44.5(1.752)	50.5(1.988)	44.5(1.752)	5



WIDTH : 32, 44, 56 mm Carrier



WIDTH : 16, 24 mm Carrier

RoHS Compliant

4					DATE	UNIT: mm / inch	TITLE: 0.50mm(.020") ZIF FFC/FPC BACK FLIP CONNECTOR	瀚荃股份有限公司 CviLux Corporation
3					DRAWN BY: Sun	TOLERANCE UNLESS OTHERWISE SPECIFIED	MATERIAL:	
2					ENGINEER: Sun	.X $\pm 0.15/006$ X' $\pm$	FINISH:	
1	Sun	2/02-15'	ECRT214084/ECNT115024	CHECKED BY: Eisley	2/2-15'	.XX $\pm 0.10/004$ X' $\pm$ 1'		
SYM	NAME	DATE	REVISIONS	APPROVED BY: David	2/2-15'	.XXX $\pm$	SCALE	DRAWING NO. CF4201SB PART NO. CF42***HORO-05-NH SHEET 2 OF 2

CVILUX CORP  
 2015.02.05  
 ISSUED