

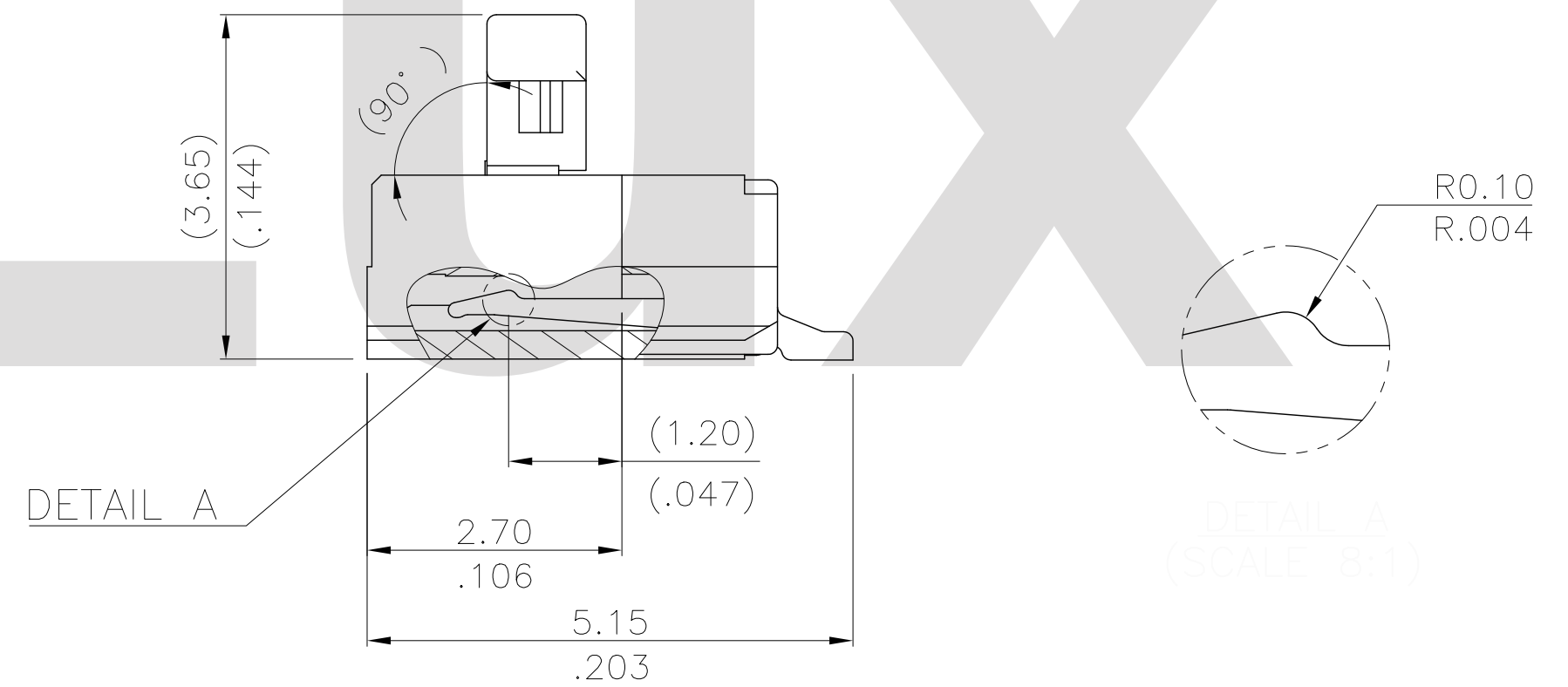
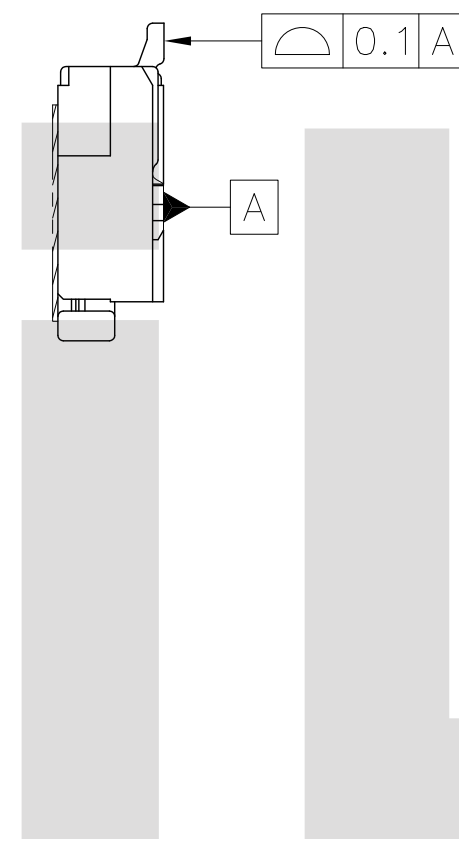
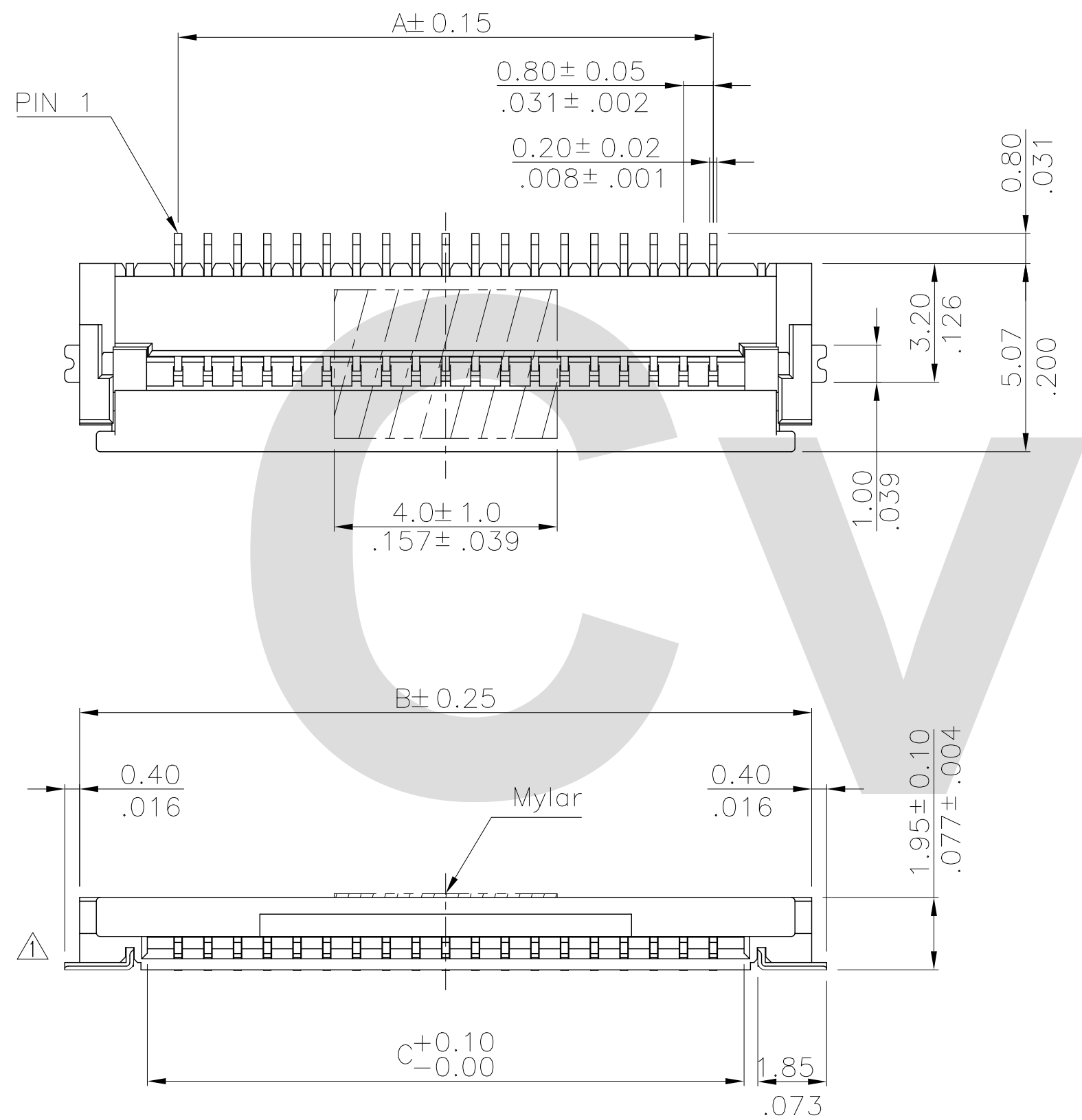
Material :

- * Base: High temperature plastic UL 94V-0, Color Nature
- * Cover: High temperature plastic UL 94V-0, Color Black
- * Contact: Phosphor Bronze
- * Fixed tab: Brass with Matte Tin Plated over Nickel

Ordering Code

CF37 ** * D 0 * * -NH
 ① ② ③ ④ ⑤ ⑥ ⑦ ⑧

- ① Series No.
- ② No. of Circuits
- ③ Plating code: 1= 2.03 μ m(80 μ ") Min. Matte Tin plated over 1.27 μ m(50 μ ") Min. Nickel
 2= 0.02 μ m(0.8 μ ") Min. Gold flash over 1.27 μ m(50 μ ") Min. Nickel
- ④ Contact style: D= Downside contact
- ⑤ 0= Color Nature
- ⑥ Packing: R= Tape & Reel
 T= Tube Packing
- ⑦ Other option: 0= Without Mylar
 M= With Mylar
- ⑧ -NH= For Lead Free IR Processed and Halogen Free



COVER OPEN STATE
(SCALE: 2:1)

Halogen-Free Lead Free Process RoHS Compliant

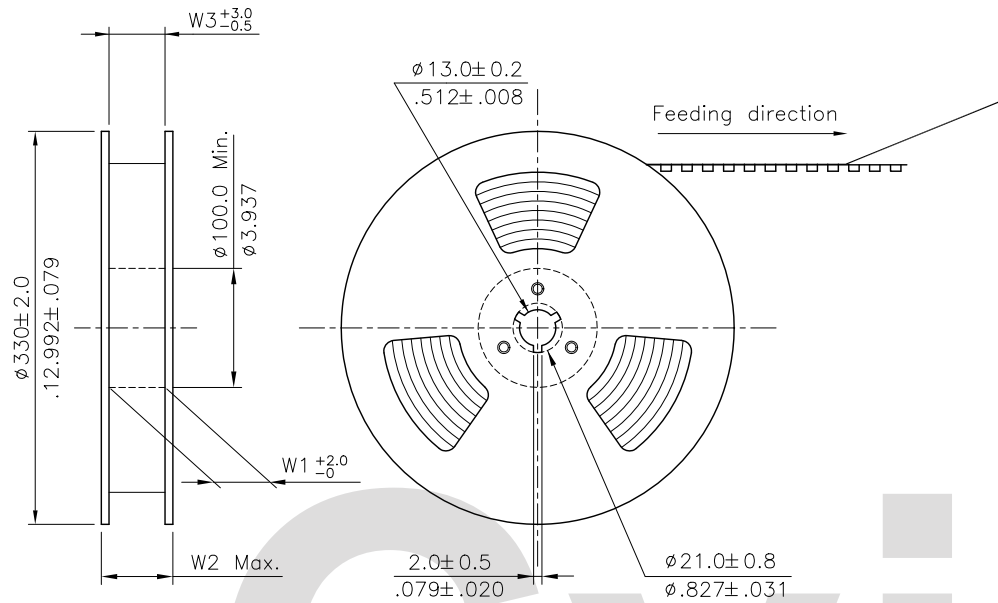
CVILUX CORP
2012.07.12
ISSUED

④					DATE	UNIT: mm / inch	TITLE: 0.80mm(.031") ZIF FFC/FPC ONE-TOUCH CONNECTOR
③				DRAWN BY: Claire	7/6-12'	TOLERANCE UNLESS OTHERWISE SPECIFIED	MATERIAL:
②				ENGINEER: Francis	7/6-12'		
①	Claire	7/6-12'	ECR12043-5/ECN12037-5/ECR12048-5	CHECKED BY: Jerry	7/9-12'	.X ± 0.25/.010	.X* ±
SYM	NAME	DATE	REVISIONS	APPROVED BY: Scott	7/9-12'	.XX ± 0.15/.006	.X* ± 1'
						.XXX ±	.XX* ±

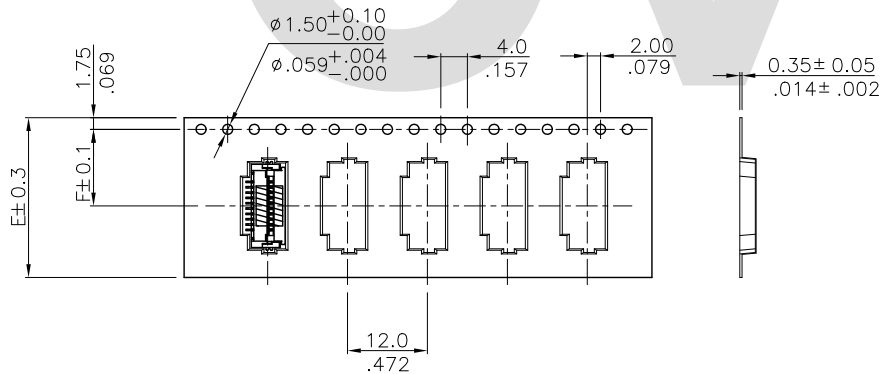
 瀚荃股份有限公司 CviLux Corporation		DRAWING NO.	CF3701SB	PART NO.	CF37***D0*M-NH
		SCALE	5 / 1	SHEET	1 OF 3

Notes:

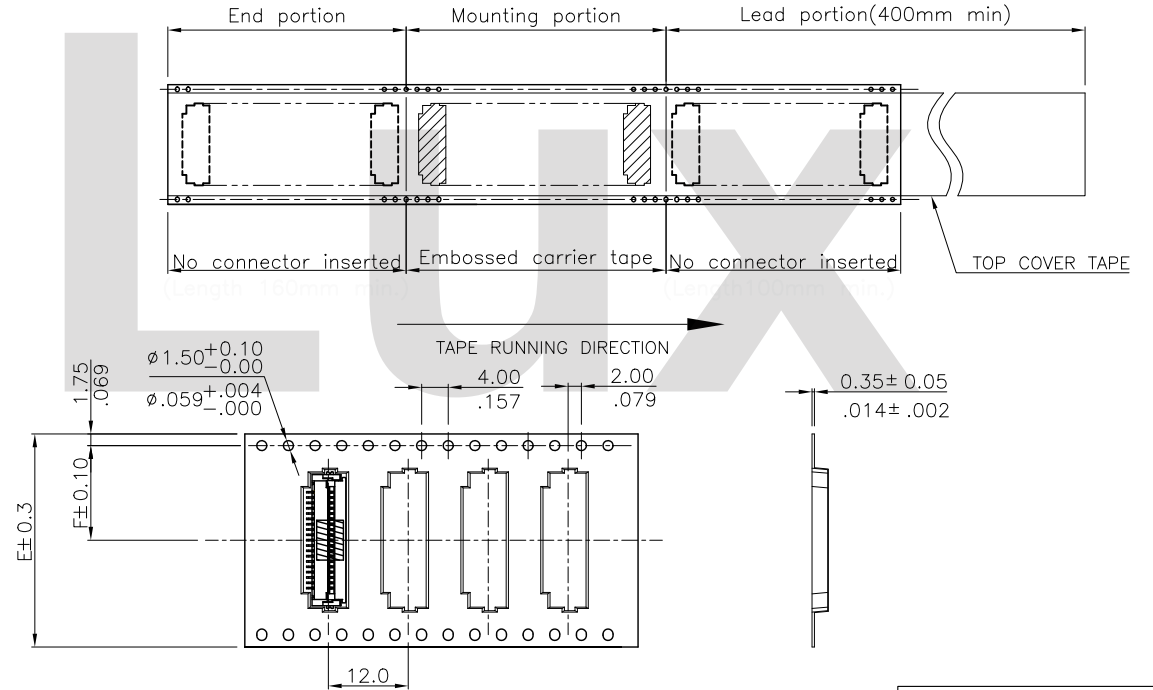
1. 10 sprocket hole pitch cumulative tolerance ± 0.2
2. Camber not to exceed 1mm in 100mm.
- △3. Material: Advantek Polystyrene.
4. Pocket position relative to sprocket hole measured as true position of pocket, not pocket hole.
5. All dimensions meet EIA-481-B requirements.
6. Quantity: 2000 PCS/REEL



Circuits	Dimension					Packing (Reel/Caton)
	E	F	W1	W2	W3	
4-5	16.0(.630)	7.50(.295)	16.5(.650)	22.5(.885)	16.5(.650)	11
6-15	24.0(.945)	11.50(.453)	24.5(.965)	30.5(1.200)	24.5(.965)	9
16-21	32.0(1.260)	14.20(.559)	32.5(1.280)	38.5(1.516)	32.5(1.280)	7
22-35	44.0(1.732)	20.20(.795)	44.5(1.752)	50.5(1.988)	44.5(1.752)	5
36-40	56.0(2.205)	26.2(1.031)	56.5(2.224)	62.5(2.460)	56.5(2.224)	4




WIDTH : 16 , 24 mm Carrier



WIDTH : 32, 44, 56 mm Carrier

RoHS Compliant

4					DATE	UNIT: mm / inch	TITLE: 0.80mm(.031") ZIF FFC/FPC ONE-TOUCH CONNECTOR	 瀚荃股份有限公司 CviLux Corporation	DRAWING NO. CF3701SB	PART NO. CF37***D0*M-NH	
3				7/6-12'	TOLERANCE UNLESS OTHERWISE SPECIFIED	MATERIAL:	SCALE 5 / 1				SHEET 3 OF 3
2				7/6-12'	.X $\pm 0.15/006$ X* \pm	FINISH:					
1	Claire	7/6-12'	ECR12043-5/ECN12037-5/ECR12048-5	CHECKED BY: Jerry	7/9-12'	.XX $\pm 0.10/004$ X* $\pm 1'$					
SYM	NAME	DATE	REVISIONS	APPROVED BY: Scott	7/9-12'	.XXX \pm XX \pm					



 CIVILUX CORP
 2012.07.12
 ISSUED