

**MATERIAL :**

- \* HOUSING: HEAT RESISTANCE PLASTIC, UL 94V-0, COLOR NATURE
- \* COVER: HEAT RESISTANCE PLASTIC, UL 94V-0, COLOR BLACK
- \* CONTACT: PHOSPHOR BRONZE
- \* FITTING NAIL: BRASS WITH 100u" MIN MATTE TIN PLATED OVER 50u" MIN NICKEL

**Ordering Code**

CF31 \*\* \* D 0 \* \* -10 -NH  
 ① ② ③ ④ ⑤ ⑥ ⑦ ⑧ ⑨

① Series No.

② No. of Circuits: 04~30

③ Plating code:

1 = 2.00um(80u") Min. Matte Tin Plating on Contact area and Solderails, 1.02um(40u") Nickel Underplating over all

2 = 0.02um(0.8u") Min. Gold Flash Plating on Contact area and Solderails, 1.02um(40u") Nickel Underplating over all

B = Contact area: 0.38um(15u") Min. Gold plated Solder area: 0.03um(1.2u") Min. gold-flash over all 1.02um(40u") Min. Nickel

④ Contact style: D = Downside contact

⑤ 0 = Color Nature

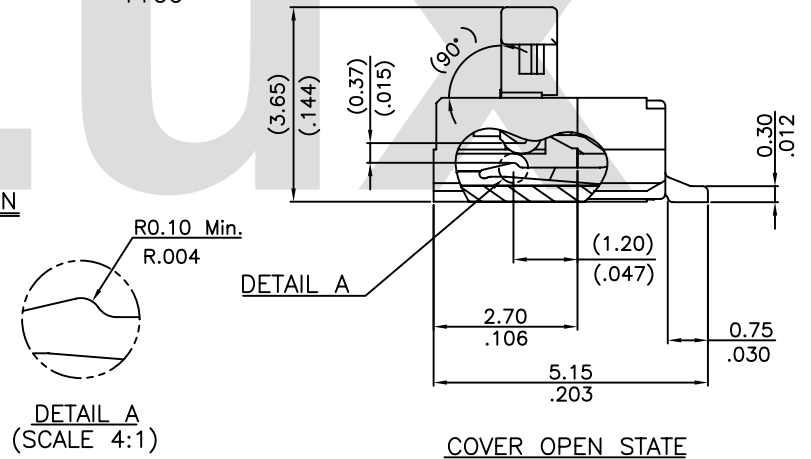
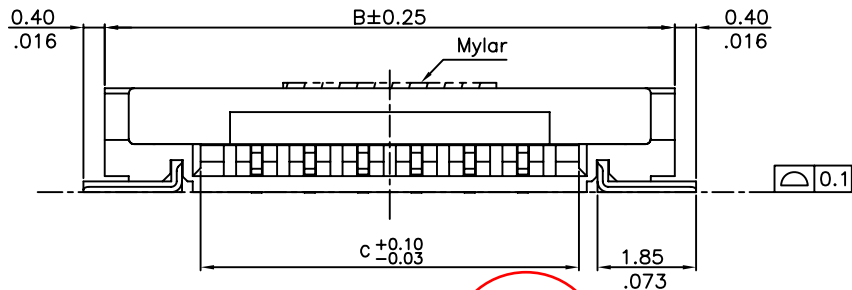
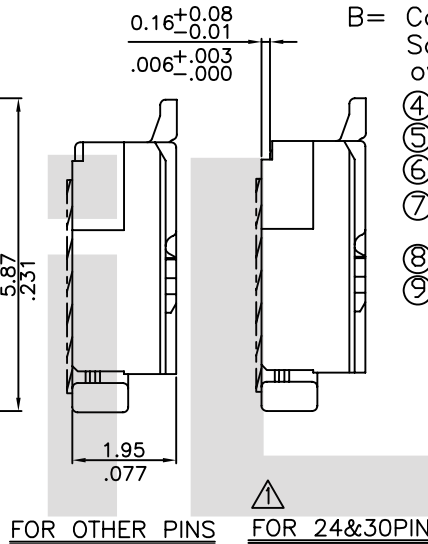
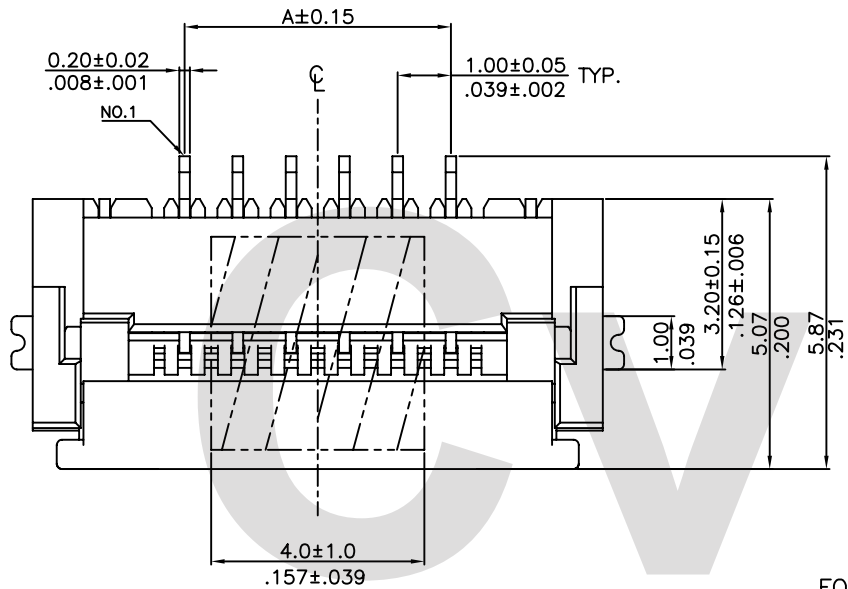
⑥ Packing: R = Tape & Reel, T = Tube Packing

⑦ Option: 4 = Without Mylar

5 = With Mylar

⑧ -10 = 1.0 Pitch

⑨ -NH = For Lead Free IR Processed and Halogen Free



**Halogen-Free**    **Lead Free Process**    **RoHS Compliant**

	4																		
	3	Claire	5/23-14'	ECRT213014/ECNT213010															
	2	Claire	1/22-14'	ECRT214003/ECNT214002															
1	Claire	6/15-12'	ECR12047-5 ECR12037-5/ECN12030-5/ECR12043-5/ECN12037-5																
SYM	NAME	DATE	REVISIONS	APPROVED BY:	Socket	12/5-14'	.XX ±	.XX' ±											

CVILUX CORP  
 2014.12.13  
 ISSUED

瀚荃股份有限公司  
 CviLux Corporation

DRAWING NO.	CF3104SD	PART NO.	CF31***DO**-10-NH
SCALE	10 / 1	SHEET	1 OF 3



