

Material :

- \* Base: High temperature plastic UL 94V-0, Color Nature
- \* Cover: High temperature plastic UL 94V-0, Color Black
- \* Contact: Phosphor Bronze
- \* Fixed tab: Brass with Matte Tin Plated over Nickel

Ordering Code

CF31 \*\* \* D 0 \* \* -10 -NH  
 ① ② ③ ④ ⑤ ⑥ ⑦ ⑧ ⑨

- ① Series No.
- ② No. of Circuits:
- ③ Plating code:
  - 1= 2.50μm(100μ") Min. Matte Tin plated over 1.27μm(50μ") Min. Nickel
  - 2= Gold flash over 1.27μm(50μ") Min. Nickel
  - B= Contact area:0.38μm(15μ")Min. Gold plated Solder area:0.03μm(1.2μ")Min. Gold-Flash over all 1.27μm(50μ") Min. Nickel
- ④ Contact style: D= Downside contact
- ⑤ 0= Color Nature
- ⑥ Packing: R= Tape & Reel
- ⑦ Option: 0= Without Mylar, E=3.20mm , F=1.40  
 1= With Mylar, E=3.20mm , F=1.40  
 2= Without Mylar, E=2.85mm , F=1.50  
 3= With Mylar, E=2.85mm , F=1.50
- ⑧ -10= 1.0 Pitch
- ⑨ -NH= For Lead Free IR Processed and Halogen Free

CIVILUX CORP  
 2014.12.13  
 ISSUED

COVER OPEN STATE

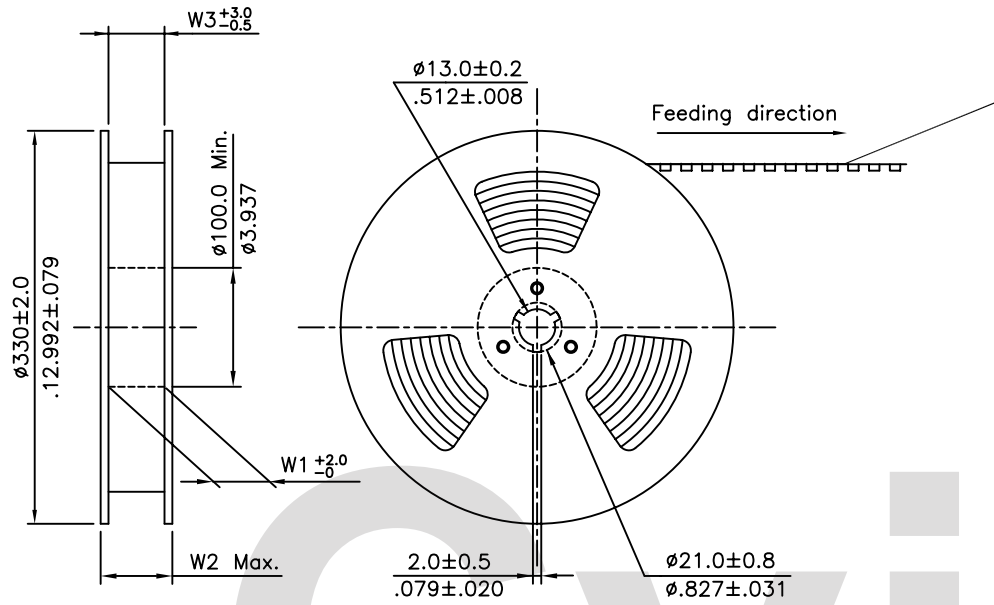
Halogen-Free

Lead Free Process

RoHS compliant

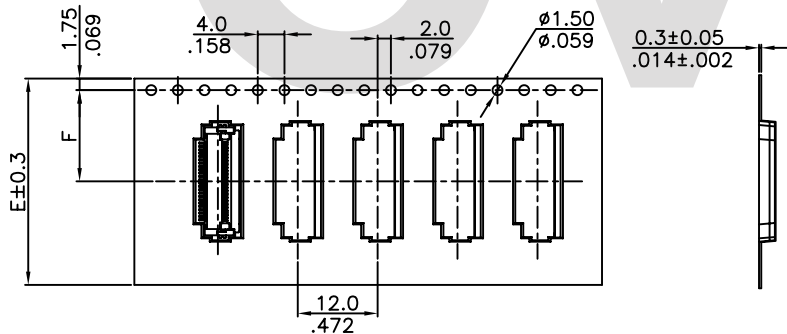
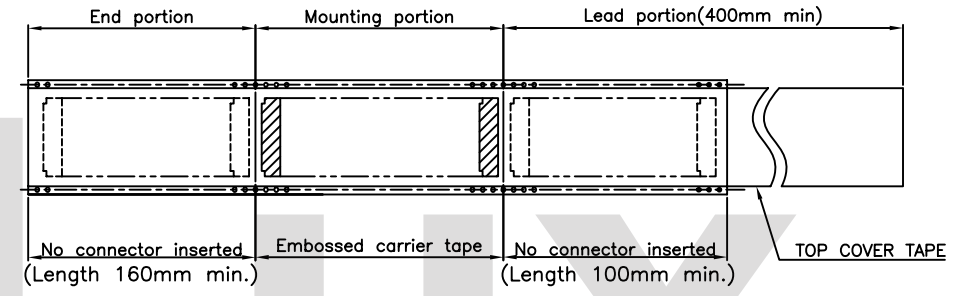
⑤	Claire	6/19-14'	ECRT214014/ECNT214025 ECRT214019/ECNT214028	DATE	UNIT: mm / inch	TITLE: 1.00mm(.039") ZIF FFC/FPC ONE-TOUCH CONNECTOR	 瀚荃股份有限公司 CviLux Corporation
④	Claire	2/24-14'	ECNT214009	DRAWN BY: Claire	TOLERANCE UNLESS OTHERWISE SPECIFIED	MATERIAL:	
③	Claire	7/6-12'	ECR12043-5/ECN12037-5/ECR12048-5	ENGINEER: Francis			
②	Claire	4/10-12'	ECR12018-5	CHECKED BY: Jerry	.XX ± 0.15/.006 X.* ± 1'	FINISH:	
SYM	NAME	DATE	REVISIONS	APPROVED BY: Scott	.XXX ± .XX ±		
							SCALE 10 / 1 SHEET 1 OF 3



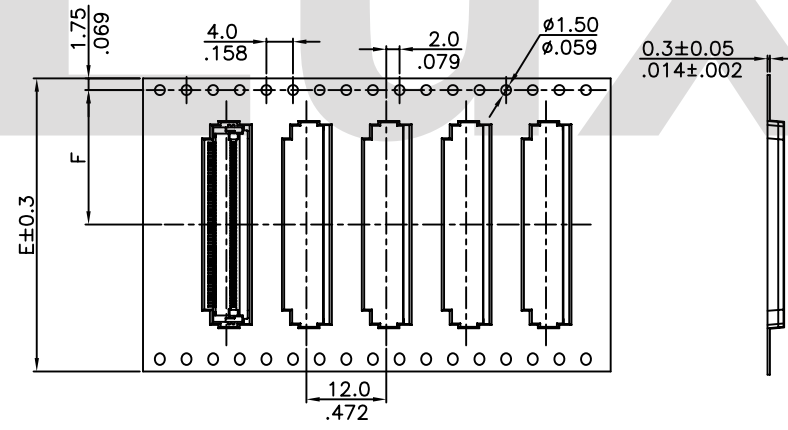


- Notes:
1. 10 sprocket hole pitch cumulative tolerance  $\pm 0.2$
  2. Camber not to exceed 1mm in 100mm.
  3. Material: Polystyrene.
  4. Pocket position relative to sprocket hole measured as true position of pocket, not pocket hole.
  5. All dimensions meet EIA-481-B requirements.
  6. Quantity: 2000 PCS/REEL

Circuits	Dimension					Packing (Reel/Caton)
	E	F	W1	W2	W3	
△ 4-12	24.0(.945)	11.50(.453)	24.5(.965)	30.5(1.200)	24.5(.965)	9
13-15	32.0(1.260)	14.20(.559)	32.5(1.280)	38.5(1.516)	32.5(1.280)	7
16-27	44.0(1.732)	20.20(.795)	44.5(1.752)	50.5(1.988)	44.5(1.752)	5
28-30	56.0(2.205)	26.2(1.031)	56.5(2.224)	62.5(2.460)	56.5(2.224)	4




WIDTH : 24 mm Carrier  
(SCALE 1:8)



WIDTH : 32, 44, 56 mm Carrier  
(SCALE 1:8)

CIVILUX CORP  
2014.12.13  
ISSUED

RoHS Compliant

△5	Claire	6/19-14'	ECRT214014/ECNT214025 ECRT214019/ECNT214028		DATE	UNIT: mm / inch	TITLE: 1.00mm(.039") ZIF FFC/FPC ONE-TOUCH CONNECTOR	 瀚荃股份有限公司 CviLux Corporation	
△4	Claire	2/24-14'	ECNT214009	DRAWN BY:	Claire	12/5-14"	MATERIAL:		
△3	Claire	7/6-12'	ECR12043-5/ECN12037-5/ECR12048-5	ENGINEER:	Francis	12/5-14"		FINISH:	
△2	Claire	4/10-12'	ECR12018-5	CHECKED BY:	Jerry	12/5-14"	DRAWING NO.		CF3102SF
SYM	NAME	DATE	REVISIONS	APPROVED BY:	Scott	12/5-14"	PART NO.	CF31***D0**-10-NH	
							SCALE	10 / 1	SHEET 3 OF 3