

Material :

- \* Base: High temperature plastic UL 94V-0, Color Nature
- \* Cover: High temperature plastic UL 94V-0, Color Black
- \* Contact: Phosphor Bronze
- \* Fixed tab: Brass with Matte Tin Plated over Nickel

Ordering Code

CF31 \*\* 1 D 0 \* \* -05 -NH  
 ① ② ③ ④ ⑤ ⑥ ⑦ ⑧ ⑨

- ① Series No.
- ② No. of Circuits:
- ③ Plating code: 1= 2.50um(100u") Min. Matte Tin plated over 1.27um(50u") Min. Nickel  
2= Gold flash over 1.27um(50u") Min. Nickel
- ④ Contact style: D= Downside contact
- ⑤ 0= Color Nature
- ⑥ Packing: R= Tape & Reel, T= Tube Packing
- ⑦ Option: 0= Without Mylar, E=3.20mm , F=1.40  
1= With Mylar, E=3.20mm , F=1.40  
2= Without Mylar, E=2.85mm , F=1.50  
3= With Mylar, E=2.85mm , F=1.50
- ⑧ -05= 0.5 Pitch
- ⑨ -NH= For Lead Free IR Processed and Halogen Free

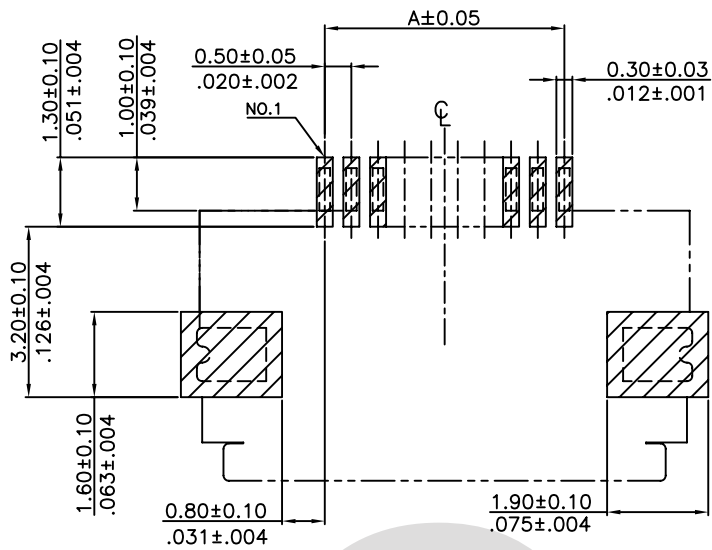
CIVILUX CORP  
 2014.06.19  
 ISSUED

COVER OPEN STATE

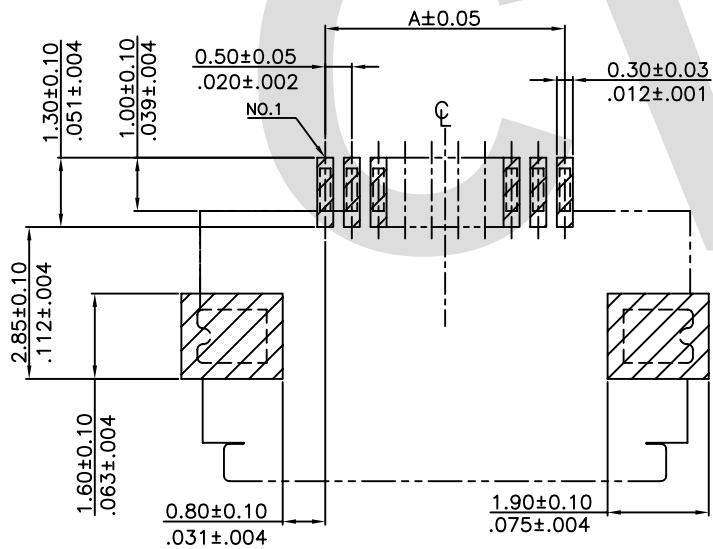
Halogen-Free    Lead Free Process    RoHS compliant

|     |        |          |                                  |                    |          |                                      |  |           |         |                      |                            |         |
|-----|--------|----------|----------------------------------|--------------------|----------|--------------------------------------|--|-----------|---------|----------------------|----------------------------|---------|
| ⑤   | Claire | 6/16-14' | ECRT214014/ECNT214025            |                    | DATE     | UNIT: mm / inch                      | TITLE: 0.50mm(.020") ZIF FFC/FPC ONE-TOUCH CONNECTOR | MATERIAL: | FINISH: | DRAWING NO. CF3101SF | PART NO. CF31***D0**-05-NH |         |
| ④   | Claire | 7/6-12'  | ECR12043-5/ECN12037-5/ECR12048-5 | DRAWN BY: Claire   | 6/16-14" | TOLERANCE UNLESS OTHERWISE SPECIFIED |  |           |         |                      |                            |         |
| ③   | Claire | 4/10-12' | ECR12018-5                       | ENGINEER: Francis  | 6/16-14" | .X ± 0.20/.008                       | X* ±   |           |         | SCALE 10 / 1         | SHEET 1 OF 3               |         |
| ②   | Claire | 3/21-12' | ECN12038-0/ECR12010-0            | CHECKED BY: Jerry  | 6/16-14" | .XX ± 0.15/.006                      |  |           |         |                      |                            | X* ± 1' |
| SYM | NAME   | DATE     | REVISIONS                        | APPROVED BY: Scott | 6/16-14" | .XXX ±                               |  |           |         |                      |                            | .XX* ±  |

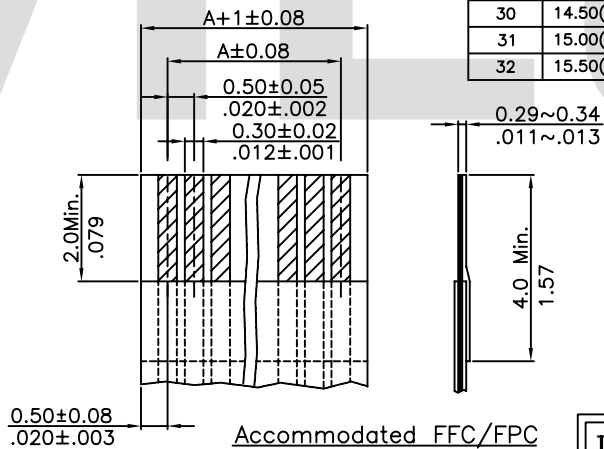
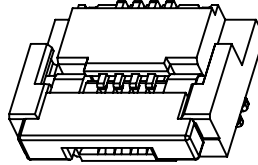
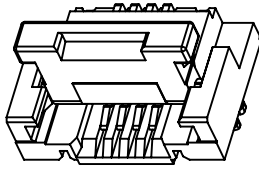




CF31\*\*\*D0\*0-NH & CF31\*\*\*D0\*1-NH  
Recommended P.C. Board Layout



CF31\*\*\*D0\*2-NH & CF31\*\*\*D0\*3-NH  
Recommended P.C. Board Layout




Accommodated FFC/FPC

| Circuits | Dimension   |             |             | Circuits | Dimension    |              |              |
|----------|-------------|-------------|-------------|----------|--------------|--------------|--------------|
|          | A           | B           | C           |          | A            | B            | C            |
| 4        | 1.50(.059)  | 6.20(.244)  | 2.60(.102)  | 33       | 16.00(.630)  | 20.70(.815)  | 17.10(.673)  |
| 5        | 2.00(.079)  | 6.70(.264)  | 3.10(.122)  | 34       | 16.50(.650)  | 21.20(.835)  | 17.60(.693)  |
| 6        | 2.50(.098)  | 7.20(.283)  | 3.60(.142)  | 35       | 17.00(.669)  | 21.70(.854)  | 18.10(.713)  |
| 7        | 3.00(.118)  | 7.70(.303)  | 4.10(.161)  | 36       | 17.50(.689)  | 22.20(.874)  | 18.60(.732)  |
| 8        | 3.50(.138)  | 8.20(.323)  | 4.60(.181)  | 37       | 18.00(.709)  | 22.70(.894)  | 19.10(.752)  |
| 9        | 4.00(.157)  | 8.70(.343)  | 5.10(.201)  | 38       | 18.50(.728)  | 23.20(.913)  | 19.60(.772)  |
| 10       | 4.50(.177)  | 9.20(.362)  | 5.60(.220)  | 39       | 19.00(.748)  | 23.70(.933)  | 20.10(.791)  |
| 11       | 5.00(.197)  | 9.70(.382)  | 6.10(.240)  | 40       | 19.50(.768)  | 24.20(.953)  | 20.60(.811)  |
| 12       | 5.50(.216)  | 10.20(.402) | 6.60(.260)  | 41       | 20.00(.787)  | 24.70(.972)  | 21.10(.831)  |
| 13       | 6.00(.236)  | 10.70(.421) | 7.10(.280)  | 42       | 20.50(.807)  | 25.20(.992)  | 21.60(.850)  |
| 14       | 6.50(.256)  | 11.20(.441) | 7.60(.299)  | 43       | 21.00(.827)  | 25.70(1.012) | 22.10(.870)  |
| 15       | 7.00(.276)  | 11.70(.461) | 8.10(.319)  | 44       | 21.50(.846)  | 26.20(1.031) | 22.60(.890)  |
| 16       | 7.50(.295)  | 12.20(.480) | 8.60(.339)  | 45       | 22.00(.866)  | 26.70(1.051) | 23.10(.909)  |
| 17       | 8.00(.315)  | 12.70(.500) | 9.10(.358)  | 46       | 22.50(.886)  | 27.20(1.071) | 23.60(.929)  |
| 18       | 8.50(.335)  | 13.20(.520) | 9.60(.378)  | 47       | 23.00(.906)  | 27.70(1.091) | 24.10(.949)  |
| 19       | 9.00(.354)  | 13.70(.539) | 10.10(.398) | 48       | 23.50(.925)  | 28.20(1.110) | 24.60(.969)  |
| 20       | 9.50(.374)  | 14.20(.559) | 10.60(.417) | 49       | 24.00(.945)  | 28.70(1.130) | 25.10(.988)  |
| 21       | 10.00(.394) | 14.70(.579) | 11.10(.437) | 50       | 24.50(.965)  | 29.20(1.150) | 25.60(1.008) |
| 22       | 10.50(.413) | 15.20(.598) | 11.60(.457) | 51       | 25.00(.984)  | 29.70(1.169) | 26.10(1.028) |
| 23       | 11.00(.433) | 15.70(.618) | 12.10(.476) | 52       | 25.50(1.004) | 30.20(1.189) | 26.60(1.047) |
| 24       | 11.50(.453) | 16.20(.638) | 12.60(.496) | 53       | 26.00(1.024) | 30.70(1.209) | 27.10(1.067) |
| 25       | 12.00(.472) | 16.70(.657) | 13.10(.516) | 54       | 26.50(1.043) | 31.20(1.228) | 27.60(1.087) |
| 26       | 12.50(.492) | 17.20(.677) | 13.60(.535) | 55       | 27.00(1.063) | 31.70(1.248) | 28.10(1.106) |
| 27       | 13.00(.512) | 17.70(.697) | 14.10(.555) | 56       | 27.50(1.083) | 32.20(1.268) | 28.60(1.126) |
| 28       | 13.50(.531) | 18.20(.717) | 14.60(.575) | 57       | 28.00(1.102) | 32.70(1.287) | 29.10(1.146) |
| 29       | 14.00(.551) | 18.70(.736) | 15.10(.594) | 58       | 28.50(1.122) | 33.20(1.307) | 29.60(1.165) |
| 30       | 14.50(.571) | 19.20(.756) | 15.60(.614) | 59       | 29.00(1.142) | 33.70(1.327) | 30.10(1.185) |
| 31       | 15.00(.591) | 19.70(.776) | 16.10(.634) | 60       | 29.50(1.161) | 34.20(1.346) | 30.60(1.205) |
| 32       | 15.50(.610) | 20.20(.795) | 16.60(.654) | 61       | 30.00(1.182) | 34.70(1.367) | 31.10(1.225) |

Halogen-Free

Lead Free Process

RoHS compliant

|     |        |          |                                  |                    |          |                                      |  |  |
|-----|--------|----------|----------------------------------|--------------------|----------|--------------------------------------|--|--|
| 5   | Claire | 6/16-14' | ECRT214014/ECNT214025            |                    | DATE     | UNIT: mm / inch                      | TITLE: 0.50mm(.020") ZIF FFC/FPC ONE-TOUCH CONNECTOR |  瀚荃股份有限公司<br>CviLux Corporation |
| 4   | Claire | 7/6-12'  | ECR12043-5/ECN12037-5/ECR12048-5 | DRAWN BY: Claire   | 6/16-14" | TOLERANCE UNLESS OTHERWISE SPECIFIED |  |  |
| 3   | Claire | 4/10-12' | ECR12018-5                       | ENGINEER: Francis  | 6/16-14" | .X ± 0.20/.008 X.* ±                 | MATERIAL:  | DRAWING NO. CF3101SF PART NO. CF31***D0**-05-NH  |
| 2   | Claire | 3/21-12' | ECN12038-0/ECR12010-0            | CHECKED BY: Jerry  | 6/16-14" | .XX ± 0.15/.006 X.* ± 1'             |  |  |
| SYM | NAME   | DATE     | REVISIONS                        | APPROVED BY: Scott | 6/16-14" | .XXX ± .XX ±                         |  |  |

**CIVILUX CORP**  
**2014.06.19**  
**ISSUED**

