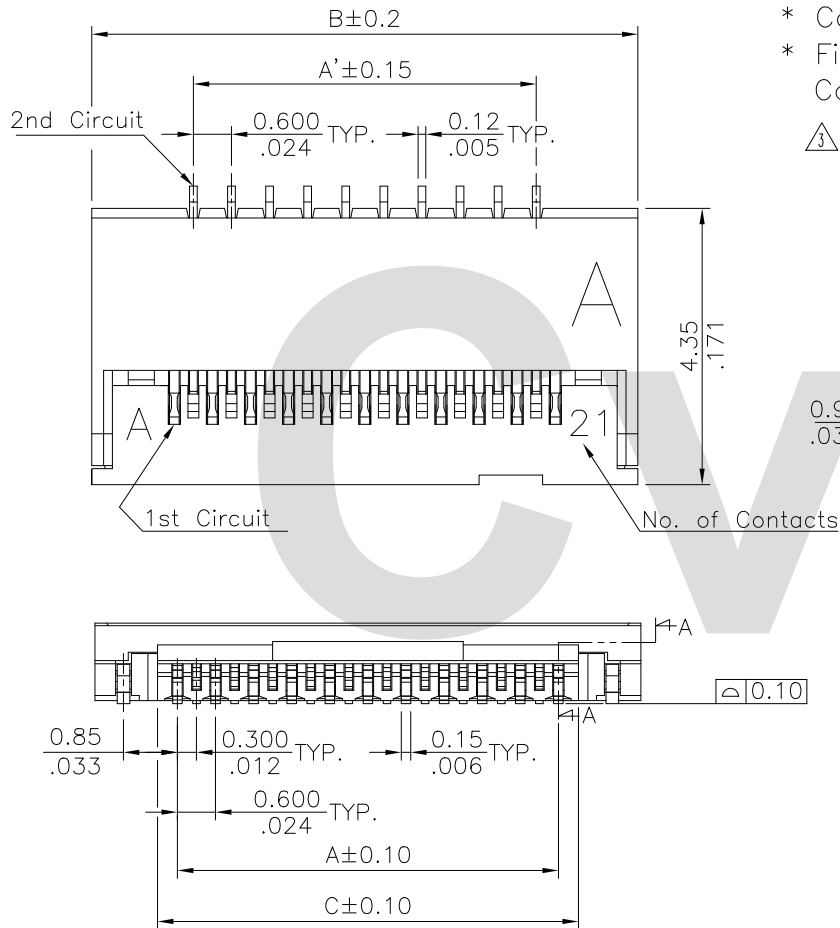


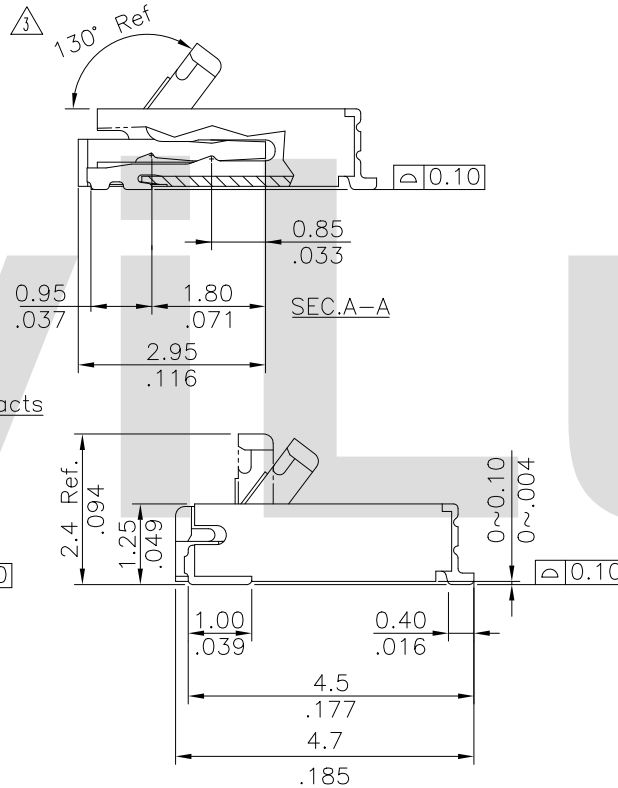
$A = 0.30 * (\text{No. of Contacts} - 1)$
 $A1 = A - 0.6$
 $B = A + 2.6$
 $C = A + 0.63$

4* AVAILABLE IN 11, 21, 25, 31, 35, 37
 39, 41, 45 CIRCUITS



Material :

- * Body : High Temperature plastic UL 94V-0 Color Nature
- * Cover : High Temperature plastic UL 94V-0 Color Black
- * Contact : Copper alloy
- * Fixed tab : Copper alloy with Matte Tin plated

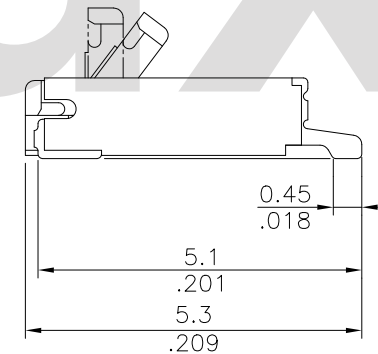


CF30**2DORA-NH

Ordering Code


CF30 ** 2 D 0 R * - NH
 ① ② ③ ④ ⑤ ⑥ ⑦ ⑧

- ① Series No.
- ② No. of Circuits
- ③ Plating code:
2= Gold flash over 0.76μm(30μ") Nickel
- ④ Contact style: D= Downside contact
- ⑤ Color: 0= Nature
- ⑥ Packing option: R= Tape & Reel
- ⑦ Other option: A= Lead-Less Type
B= Lead Type
- ⑧ Other option:
NH= For Lead Free IR Processes & Halogen-Free

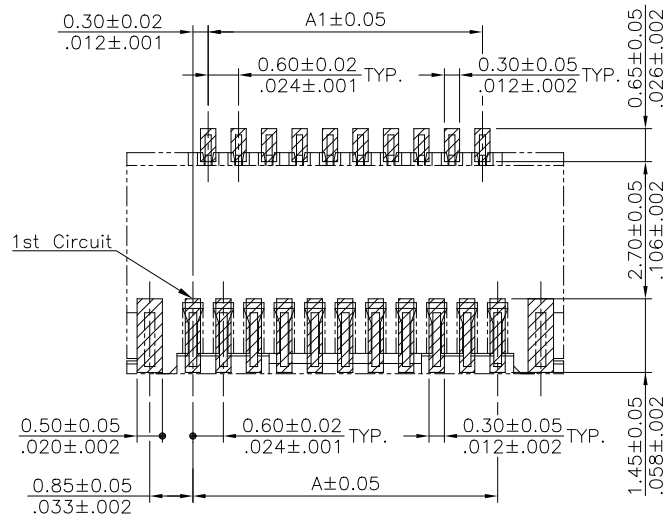


CF30**2DORB-NH

Halogen-Free
 Lead Free Process
 RoHS Compliant

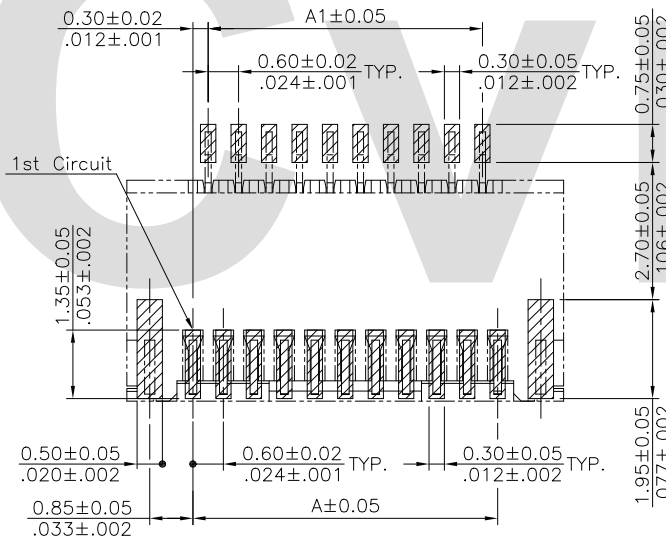
4	Karen	11/17-14'	ECNT114265/ECRT114082		DATE	UNIT: mm / inch	TITLE: 0.30mm(.012") ZIF FPC ONE-TOUCH CONNECTOR (H= 1.25mm)	 瀚荃股份有限公司 CviLux Corporation	
3	Sandy	6/18-08'	ECN08216	DRAWN BY: Karen	12/3-14'	TOLERANCE UNLESS OTHERWISE SPECIFIED	MATERIAL:		
2	Sun	5/09-08'	ECN08210	ENGINEER: Sun	12/3-14'	.X ± 0.15/.006 X' ± 1'	FINISH:		
1	Bill	1/23-08	ECN08038	CHECKED BY: Eisley	12/4-14'	.XX ± 0.10/.004 X' ±			
SYM	NAME	DATE	REVISIONS	APPROVED BY: Eisley	12/4-14'	.XXX ± 0.05/.002 X' ±	DRAWING NO. CF3008SE	PART NO. CF30**2DOR*-NH	
								SCALE 8 / 1	SHEET 1 OF 3

CVILUX CORP
 2014.12.05
 ISSUED



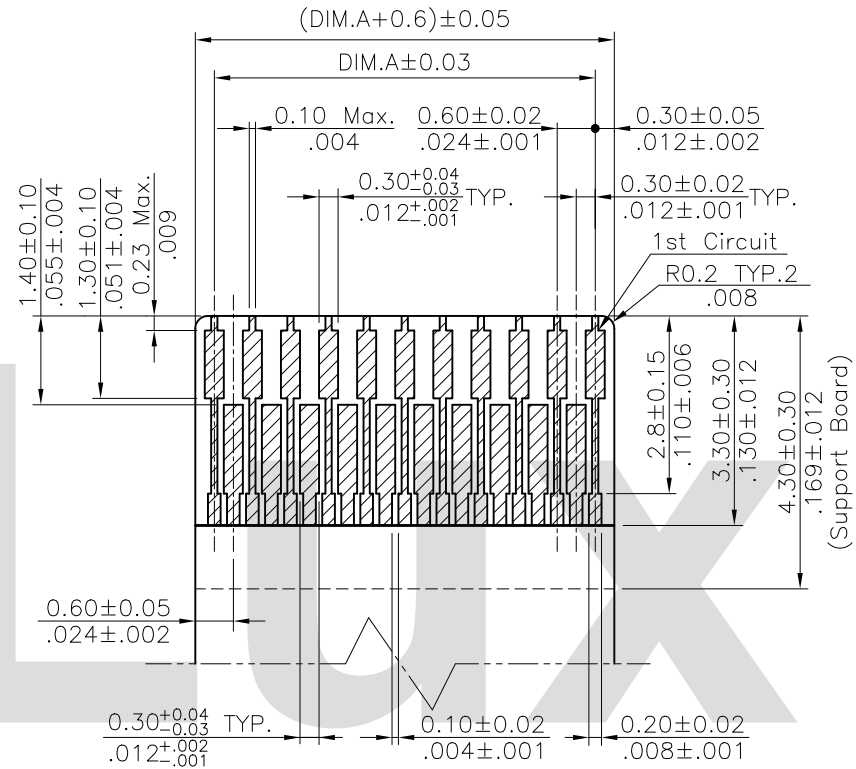
Recommended P.C. Board Layout

CF30**2DORA-NH



Recommended P.C. Board Layout

CF30**2DORB-NH




Recommended FPC Dimension

Thickness: 0.2 ± 0.03mm

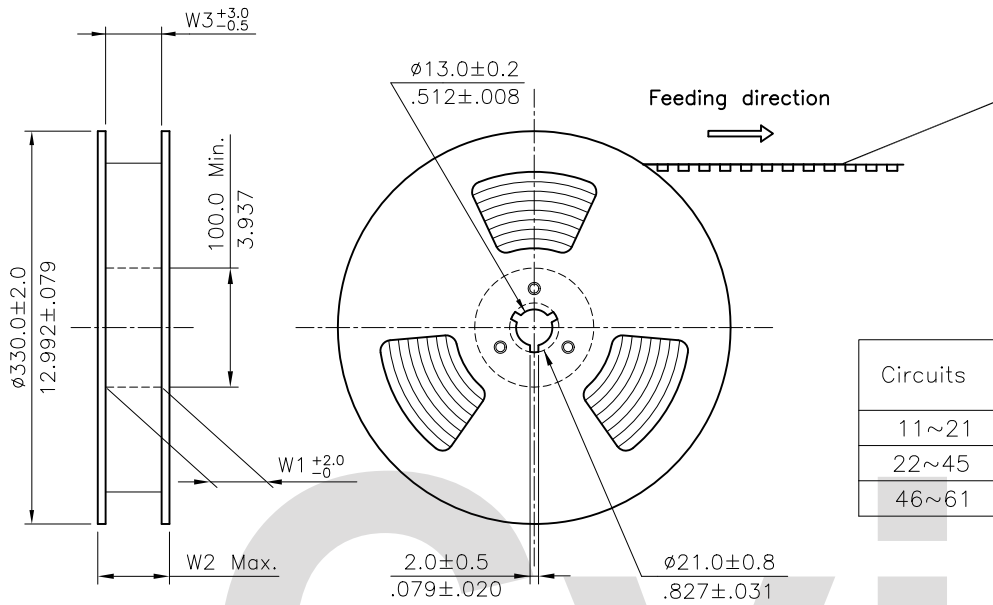
Halogen-Free

Lead Free Process

RoHS Compliant

4	Karen	11/17-14'	ECNT114265/ECRT114082		DATE	UNIT: mm / inch	TITLE: 0.30mm(.012") ZIF FPC ONE-TOUCH CONNECTOR (H= 1.25mm)	 瀚荃股份有限公司 CviLux Corporation
3	Sandy	6/18-08'	ECN08216	DRAWN BY: Karen	12/3-14'	TOLERANCE UNLESS OTHERWISE SPECIFIED	MATERIAL:	
2	Sun	5/09-08'	ECN08210	ENGINEER: Sun	12/3-14'	.X ± 0.15/.006 .X' ± 1"	FINISH:	
1	Bill	1/23-08	ECN08038	CHECKED BY: Eisley	12/4-14'	.XX ± 0.10/.004 .X' ±		DRAWING NO. CF3008SE PART NO. CF30**2DOR*-NH
SYM	NAME	DATE	REVISIONS	APPROVED BY: Eisley	12/4-14'	.XXX ± 0.05/.002 .XX' ±	SCALE 8 / 1	SHEET 2 OF 3

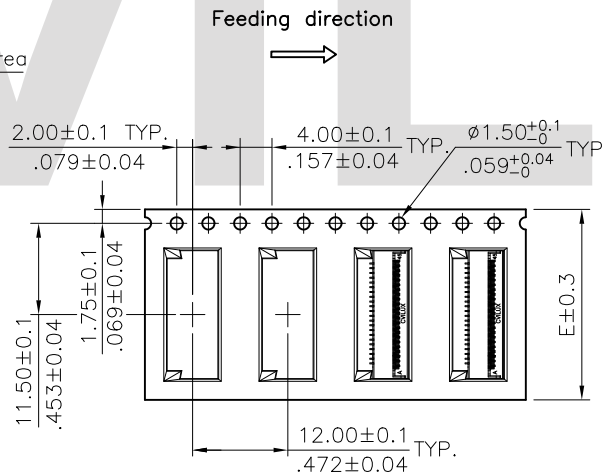
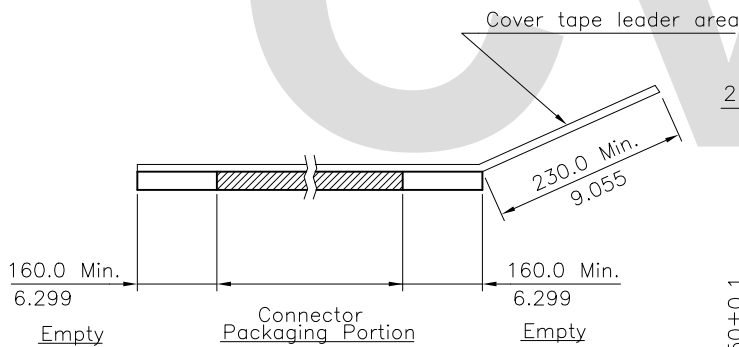




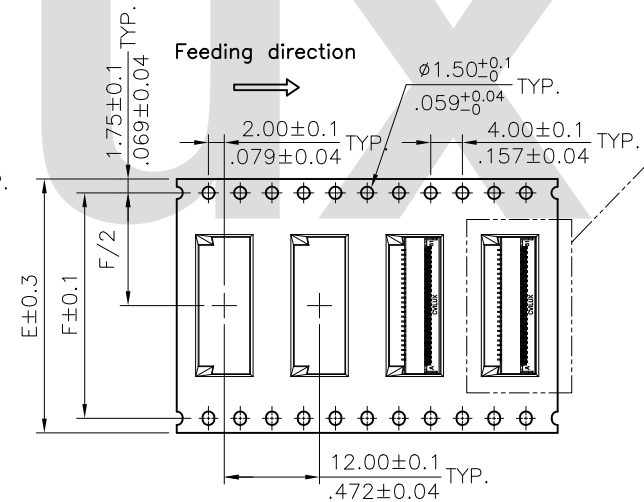
NOTE :

1. 10 sprocket hole pitch cumulative tolerance ± 0.20 .
2. Carrier camber is within 1 mm in 250mm.
3. Material : Clear,Transparent Polystyrene Alloy (UP-5200).
4. All dimensions meet EIA-481-C requirements.
5. Thickness : 0.40 ± 0.05 mm.
6. Packing length per 22" reel : 92.5 Meters.
7. Component load per 13" reel : 2000 pcs.

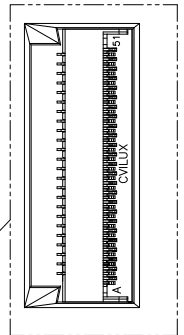
Circuits	Dimension					Packing (Reel/Caton)
	E	F	W1	W2	W3	
11~21	16.0(.630)	—	16.5(.650)	22.5(.886)	16.5(.650)	11
22~45	24.0(.945)	—	24.5(.965)	30.5(1.201)	24.5(.965)	9
46~61	32.0(1.260)	28.40(1.118)	32.5(1.280)	38.5(1.516)	32.5(1.280)	7



WIDTH : 16.24 mm Carrier



WIDTH : 32 mm Carrier



RoHS Compliant

4	Karen	11/17-14'	ECNT114265/ECRT114082		DATE	UNIT: mm / inch	TITLE: TAPE & REEL PACKAGING FOR CF30 SERIES	瀚荃股份有限公司 CviLux Corporation
3	Sandy	6/18-08'	ECN08216	DRAWN BY: Karen	12/3-14'	TOLERANCE UNLESS OTHERWISE SPECIFIED	MATERIAL:	
2	Sun	5/09-08'	ECN08210	ENGINEER: Sun	12/3-14'	.X ±	FINISH:	DRAWING NO. CF3008SE
1	Bill	1/23-08	ECN08038	CHECKED BY: Eisley	12/4-14'	.XX ±		PART NO. CF30**2D0R*-NH
SYM	NAME	DATE	REVISIONS	APPROVED BY: Eisley	12/4-14'	.XXX ±	SCALE	SHEET 3 OF 3

