

Material:

Insulator: Glass filled Polyester UL 94V-0

Contact: Copper alloy

Shell: Steel, Tin plated as standard

Ordering Code

13W3 S0 S0 A 100 000
 ① ② ③ ④ ⑤ ⑥

① Series No.

② Connector Type:

S0= Receptacle

③ Contact tail Style:

S0= Solder Cup type

④ Singal Contact Plating:

A= Seletive Gold flash plated over Nickel

B= Seletive 15 μ " Gold plated over Nickel

C= Seletive 30 μ " Gold plated over Nickel

⑤ Insulator Color:

100= Black

600= Green

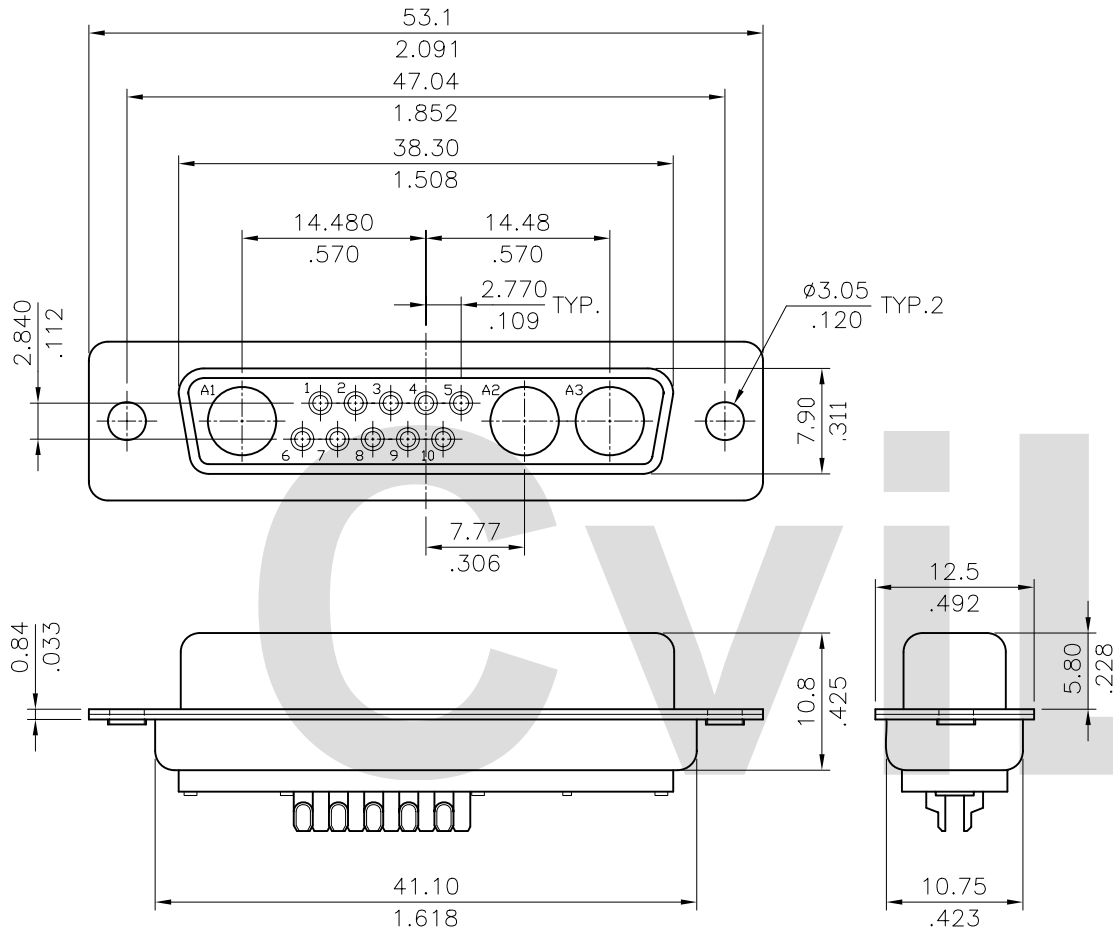
⑥ Mounting Style:

000= With ϕ 3.05mm holes on shell

A00= Riveted #4-40 UNC close nuts on front shell

B00= Riveted #4-40 UNC open nuts on front shell

C00= Riveted #4-40 UNC open nuts on rear shell



Mounting Style

RoHS Compliant

Code	000	Code	A00	Code	B00	Code	C00
			DIM. L= 5.8mm		DIM. L= 4.0mm		DIM. L= 4.0mm

4					DATE	UNIT: mm / inch	TITLE: 13W3 FEMALE COMBO D-SUB CONNECTOR (SOLDER CUP TYPE)	瀚荃股份有限公司 CviLux Corporation	
3				DRAWN BY: James	11/18-02'	TOLERANCE UNLESS OTHERWISE SPECIFIED	MATERIAL:		
2				ENGINEER: David	11/19-02'	.X ±0.30/.012 .X' ± .1'	FINISH:		
1				CHECKED BY: David	11/19-02'	.XX ±0.20/.008 .X' ±			
SYM	NAME	DATE	REVISIONS	APPROVED BY: Alex	11/19-02'	.XXX ±0.10/.004 .XX' ±	DRAWING NO. 13W302SC	PART NO. 13W3S0S0**00*00	
							SCALE	2 / 1	SHEET 1 OF 1

