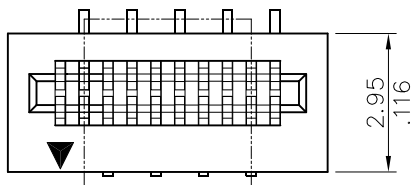
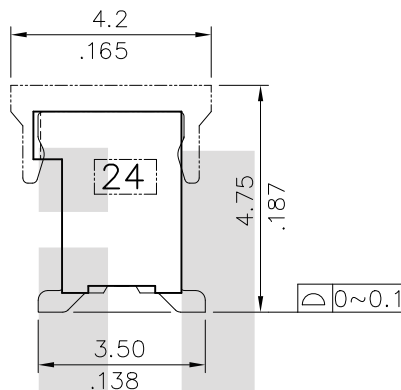
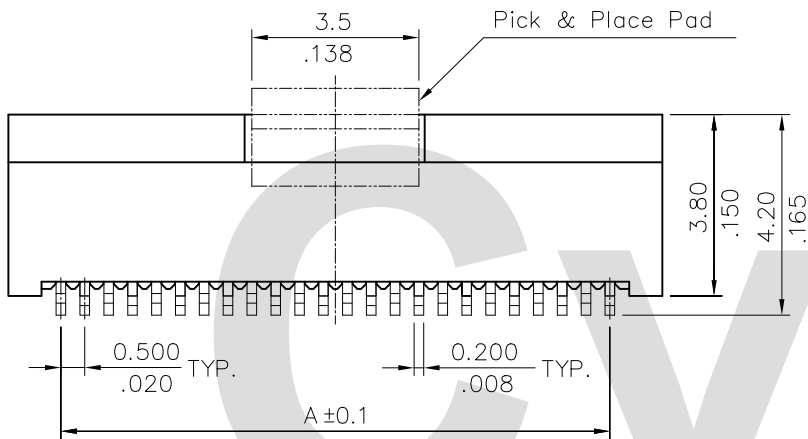


DETAIL "A-A"



4~9PIN



Material :

* Body : NYLON 6T UL 94V-0,
Color Nature

* Contact : Phosphor Bronze

A = 0.50 x No. of Spaces

B = A + 2.2

C = A + 1.1

Ordering Code

CF24 ** * V 0 * * -LF
① ② ③ ④ ⑤ ⑥ ⑦ ⑧

① Series No.

② Contacts: 04 To 50

③ Plating code: 1= 3.05 μ m(120 μ "") Min. Matte Tin
over 0.76 μ m(30 μ "") Nickel
2= Gold flash plated
over 1.27 μ m(50 μ "") Nickel

④ Contact style: V= Vertical Type

⑤ Color: 0= Nature

⑥ Packing Type: R= Tape & Reel
T= Tube Packing


⑦ Other options: 0= With PAD (Standard)

N= Without PAD

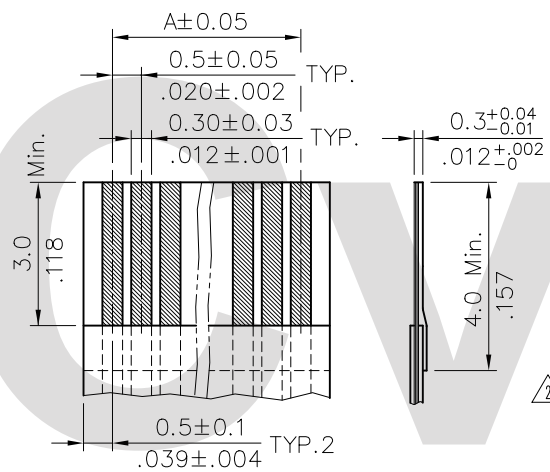
⑧ -LF= For Lead Free IR Processes

Lead Free Process

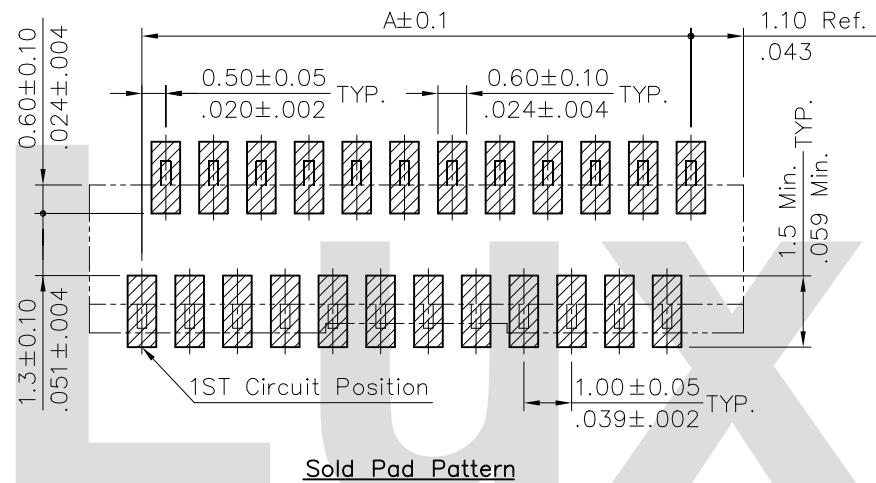
RoHS Compliant

④	Enya	10/24-13'	ECNT113082/ECRB113023		DATE	UNIT: mm / inch	TITLE: 0.50mm(.031") LIF FFC/FPC VERTICAL TYPE SURFACE MOUNT CONNECTOR	 瀚荃股份有限公司 CviLux Corporation
③	Enya	7/1-13'	ECNT113001	DRAWN BY: Enya	10/24-13'	TOLERANCE UNLESS OTHERWISE SPECIFIED	MATERIAL:	
②	Sandy	10/13-09'	ECN09493	ENGINEER: Sun	10/25-13'	.X ± 0.15/.006 X' ± 1'	FINISH:	PART NO. CF24***V0**-LF
①	Sun	5/02-07'	ECR07020-1/ECN07168	CHECKED BY: Eisley	10/29-13'	.XX ± 0.10/.004 X' ±		SCALE 6 / 1
SYM	NAME	DATE	REVISIONS	APPROVED BY: Eisley	10/29-13'	.XXX ± 0.05/.002 X' ±		






Accommodated FFC/FPC



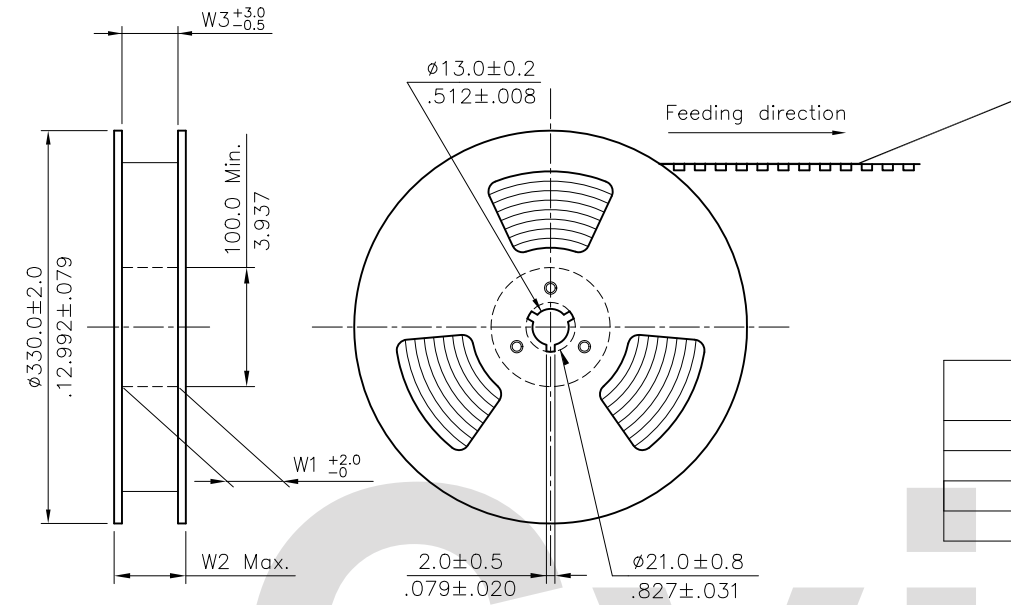
Sold Pad Pattern

Lead Free Process

RoHS Compliant

△4	Enya	10/24-13'	ECNT113082/ECRB113023		DATE	UNIT: mm / inch	TITLE: 0.50mm(.031") LIF FFC/FPC VERTICAL TYPE SURFACE MOUNT CONNECTOR	 瀚荃股份有限公司 CviLux Corporation
△3	Enya	7/1-13'	ECNT113001	DRAWN BY: Enya	10/24-13'	TOLERANCE UNLESS OTHERWISE SPECIFIED		
△2	Sandy	10/13-09'	ECN09493	ENGINEER: Sun	10/25-13'	.X ± 0.15/.006 .X' ± 1'	MATERIAL:	DRAWING NO. CF2403SE PART NO. CF24***V0**-LF
△1	Sun	5/02-07'	ECR07020-1/ECN07168	CHECKED BY: Eisley	10/29-13'	.XX ± 0.10/.004 .X' ±	FINISH:	
SYM	NAME	DATE	REVISIONS	APPROVED BY: Eisley	10/29-13'	.XXX ± 0.05/.002 .XX' ±	SCALE	6 / 1 SHEET 2 OF 3

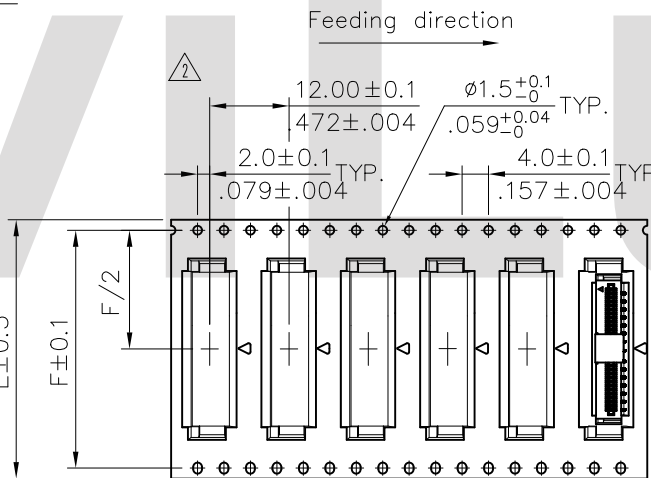
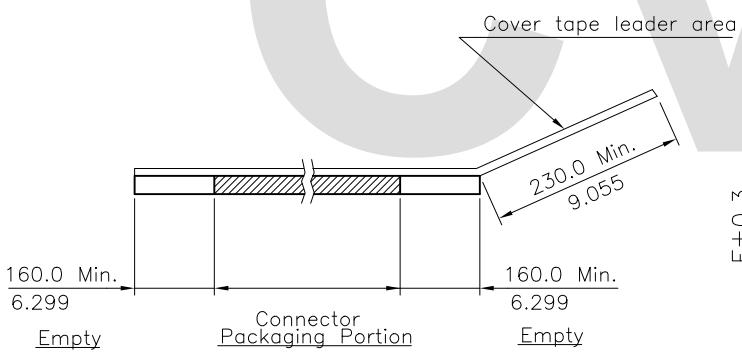

2013.11.07
ISSUED



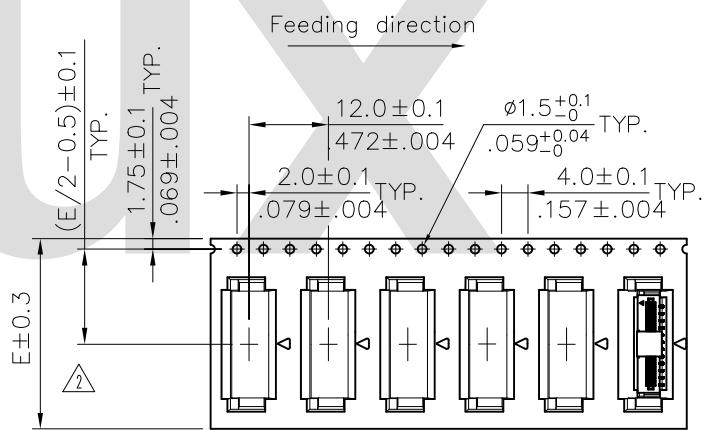
NOTES:

1. 10 sprocket hole pitch cumulative tolerance ± 0.20 .
2. Carrier camber is within 1 mm in 250 mm.
3. Material : Clear,Transparent Polystyrene Alloy (UP-6000).
4. All dimensions meet EIA-481-B requirements.
5. Thickness : 0.40 ± 0.05 mm.
6. Packing length per 22" reel : 98.5 Meters.
7. Component load per 13" reel : 1000 pcs.

Circuits	Dimension					Packing (Reel/Caton)
	E	F	W1	W2	W3	
4-14	16.0(.630)	—	16.5(.650)	22.5(.886)	16.5(.650)	11
15-30	24.0(.945)	—	24.5(.965)	30.5(1.200)	24.5(.965)	9
31-38	32.0(1.260)	28.40(1.118)	32.5(1.280)	38.5(1.516)	32.5(1.280)	7
39-50	44.0(1.732)	40.40(1.596)	44.5(1.752)	50.5(1.988)	44.5(1.752)	5




WIDTH : 32, 44 mm Carrier



WIDTH : 16, 24 mm Carrier

RoHS Compliant

4	Enya	10/24-13'	ECNT113082/ECRB113023		DATE	UNIT: mm / inch	TITLE: 0.50mm(.031") LIF FFC/FPC VERTICAL TYPE SURFACE MOUNT CONNECTOR	 瀚荃股份有限公司 CviLux Corporation	
3	Enya	7/1-13'	ECNT113001	DRAWN BY: Enya	10/24-13'	TOLERANCE UNLESS OTHERWISE SPECIFIED			
2	Sandy	10/13-09'	ECN09493	ENGINEER: Sun	10/25-13'	.X ±	MATERIAL:	DRAWING NO. CF2403SE PART NO. CF24***V0**-LF	
1	Sun	5/02-07'	ECR07020-1/ECN07168	CHECKED BY: Eisley	10/29-13'	.XX ±			
SYM	NAME	DATE	REVISIONS	APPROVED BY: Eisley	10/29-13'	.XXX ±	FINISH:	SCALE	SHEET 3 OF 3

CVILUX CORP
 2013.11.07
 ISSUED