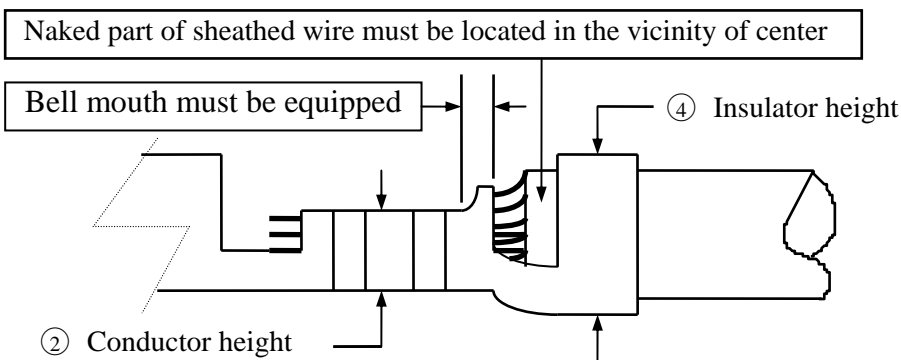
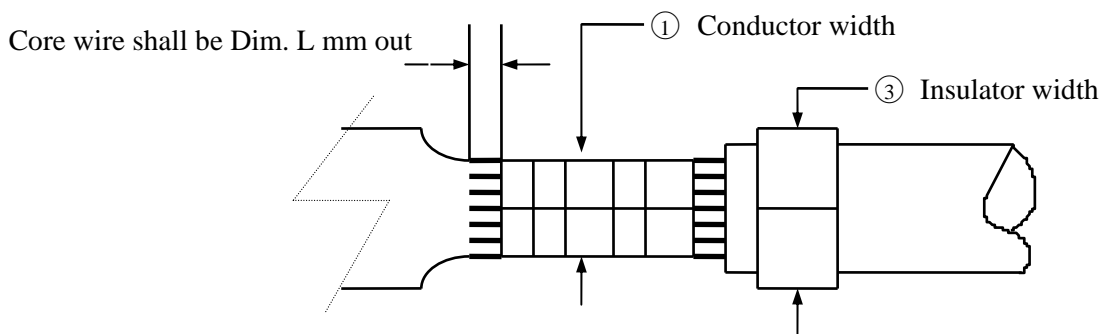


ENGINEERING	CRIMP SPECIFICATION	SPEC. No.:SCCD001B
DEPT.	For CD02T01**** TERMINAL	PAGE: 1 / 1

1. Crimp height and width of crimped core should be set as required. (crimped height and width of wire barrel)
2. Crimp width of crimped sheath shall be adjusted according to the final out side diameter and the kind of electric wire, to the extent that sheathed wire won't be easily taken off from contact nor too much crimped. (crimped width of insulation barrel)



Subject : UL 1007 or equivalent type electric wire

AWG #	Conductor mm ²	Insulator Diameter	Applicator	Core crimp length	Dim. L
#26 - #30	0.141 - 0.057	1.35 - 1.13mm	A01CD02T01P	2.5 - 3.0 mm	0 -0.2 mm

Wire Gage (AWG #)	Conductor Crimp Area		Insulator Crimp Area		Terminal Tensile Strength
	Width (1)	Height (2)	Width (3)	Height (4)	
#26	1.10 - 1.20	0.75 - 0.85	1.35 - 1.45	---	2.0 Kgf
#28		0.70 - 0.80		---	1.3 Kgf
#30		0.68 -0.78		---	0.8 Kgf

DATE	REVISIONS	SPEC BY:	Ken
8/4-16'	ECNT116169	CHKD BY:	Sun
		APPR BY:	Eisley

