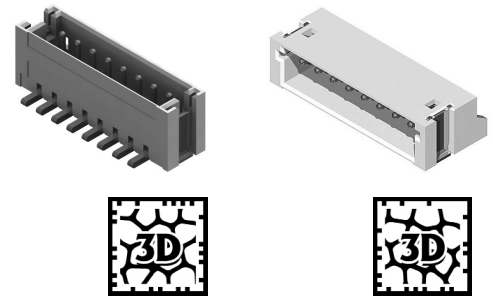
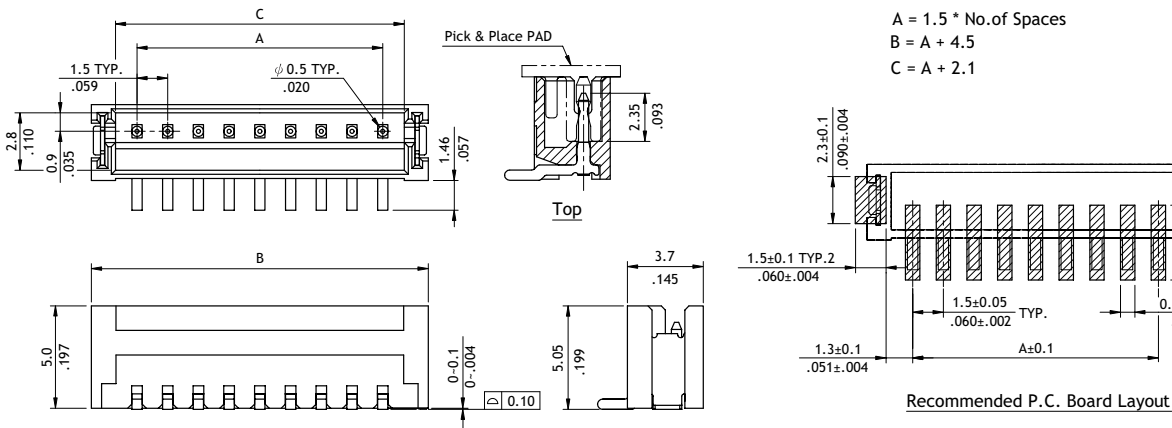


**CI15 Series 1.50mm(.059") Wire to Board Connectors SMT Headers**

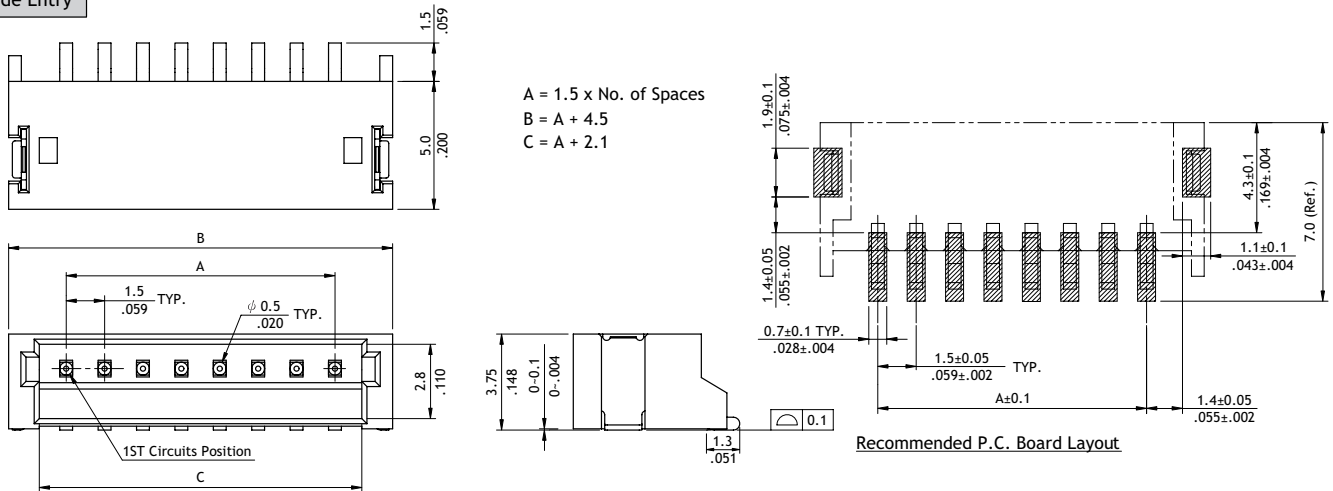
- ⊙ Polarization and Low-profile
- ⊙ Locking slots provide secure mating
- ⊙ Fixed tabs provide PCB hold-down and strain-relief for SMT tails
- ⊙ Insulator: High temperature plastic UL 94V-0, Color Nature
- ⊙ With Tin plated SMT type contact
- ⊙ Mate with CI15 Housing



**Top Entry**



**Side Entry**



**Ordering Code**

**1** **2** **3** **4** **5** **6** **7** **8**  
**CI 15 1 5 M 1 V R 0 - NH**

- 1** Series No.
- 2** No. of Circuits: 02 to 15
- 3** M = SMT Type
- 4** Plating Code: 1 = Matte Tin over Nickel
- 5** Type: V = Top Entry  
H = Side Entry
- 6** Packing Options:  
R = Tape & Reel  
T = Tube
- 7** Other Options: 0 = Standard  
\*Special options consult manufacturer
- 8** -NH = For Lead Free soldering process and Halogen-Free