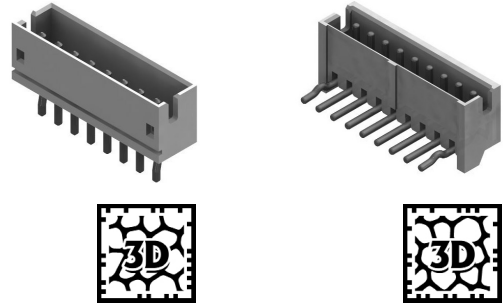


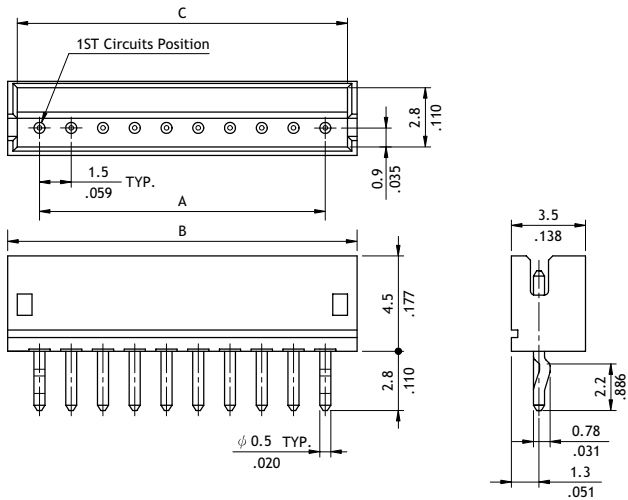
**CI15 Series 1.50mm(.059") Wire to Board Connectors DIP Headers**

- Polarization and Low-profile
- Locking slots provide secure mating
- Insulator: High temperature plastic UL 94V-0, Color Nature
- With Tin plated DIP type contact
- Mate with CI15 Housing



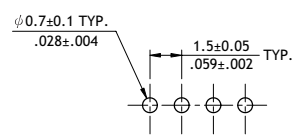
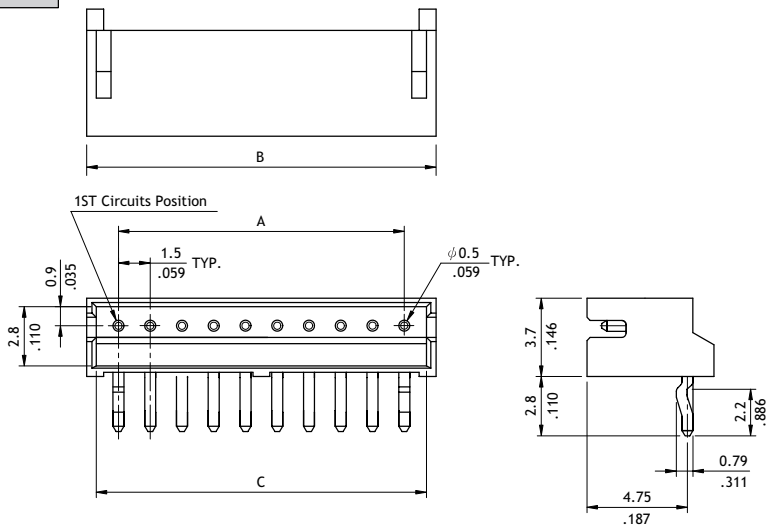
**RoHS Compliant**

**Straight**



Circuits	Dimension		
	A	B	C
2	1.5(.059)	4.5(.177)	3.6(.142)
3	3.0(.118)	6.0(.236)	5.1(.201)
4	4.5(.177)	7.5(.295)	6.6(.260)
5	6.0(.236)	9.0(.354)	8.1(.319)
6	7.5(.295)	10.5(.413)	9.6(.378)
7	9.0(.354)	12.0(.472)	11.1(.437)
8	10.5(.413)	13.5(.531)	12.6(.496)
9	12.0(.472)	15.0(.591)	14.1(.555)
10	13.5(.531)	16.5(.650)	15.6(.614)
11	15.0(.591)	18.0(.709)	17.1(.673)
12	16.5(.650)	19.5(.768)	18.6(.732)
13	18.0(.709)	21.0(.827)	20.1(.791)
14	19.5(.768)	22.5(.886)	21.6(.850)
15	21.0(.827)	24.0(.945)	23.1(.909)

**Right Angle**



Recommended P.C. Board Layout

**Ordering Code**

**① CI 15 ② 1 5 ③ P ④ 1 ⑤ V ⑥ K ⑦ 0 - ⑧ NH**

- ① Series No.
- ② No. of Circuits: 02 to 15
- ③ P = DIP Type
- ④ Plating Code: 1 = Matte Tin over Nickel
- ⑤ Type: V = Straight  
H = Right Angle
- ⑥ K = With Pin Kinked
- ⑦ Other Options: 0 = Standard  
\*Special options consult manufacturer
- ⑧ -NH = For Lead Free soldering process and Halogen-Free