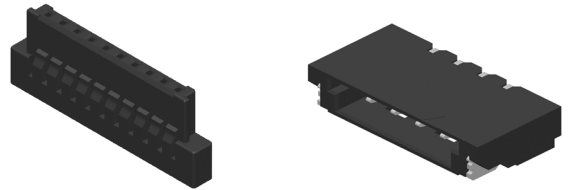
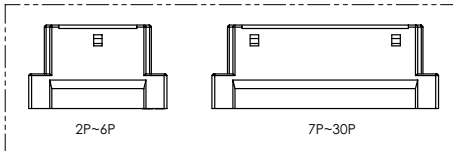
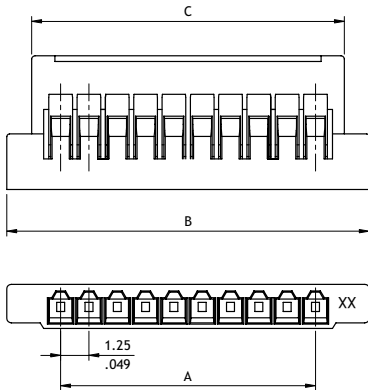


**CI43 Series 1.25mm(.049") Wire to Board Housing & Terminal & SMT Header**

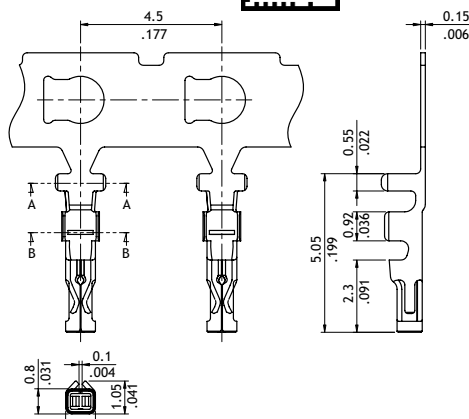
- ⊙ 2.03mm above the board
- ⊙ Copper alloy dual contacts
- ⊙ Insulation: High temperature plastic UL 94V-0, Color Black
- ⊙ With metal fixed tabs to secure connector in place



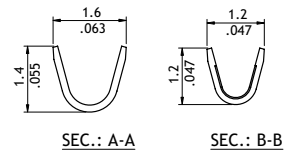
P/N CI43\*\*S0000



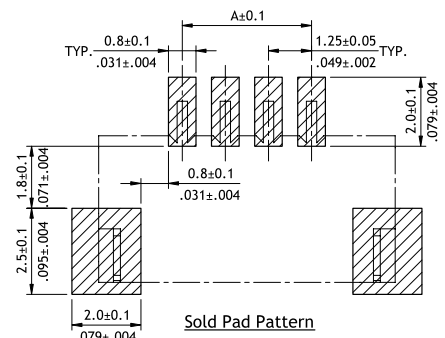
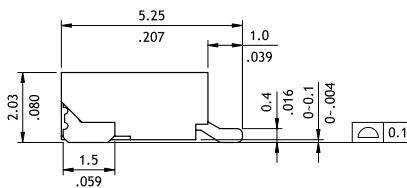
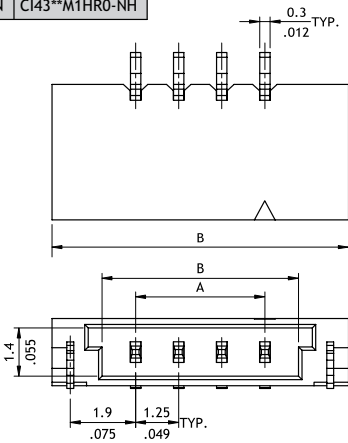
P/N CI43T011PE0



Wire Range	Insulation Diameter	Reel Qty
AWG #28-#32	1.0 (.039) MAX.	20,000 PCS.



P/N CI43\*\*M1HR0-NH



**Ordering Code**

**1** **2** **3** **4**  
**CI43 30 S 0000**

- 1** Series No.
- 2** No. of Circuits: 02 to 30
- 3** S = Housing
- 4** Other Options:  
0000 = Standard

**1** **2** **3** **4** **5** **6** **7** **8**  
**CI43 30 M 1 HR 0 - NH**

- 1** Series No.
- 2** No. of Circuits: 02 to 30
- 3** M = SMT Type
- 4** Plating Code:  
1 = Matte Tin plated over Nickel  
2 = Gold flash over Nickel
- 5** Type: H = Side Entry
- 6** Packing Options: R = Tape & Reel
- 7** Other Options:  
0 = Standard (2,3,7~30PIN)  
B = Standard (4~6PIN)
- 8** -NH = For Lead Free soldering process and Halogen-Free