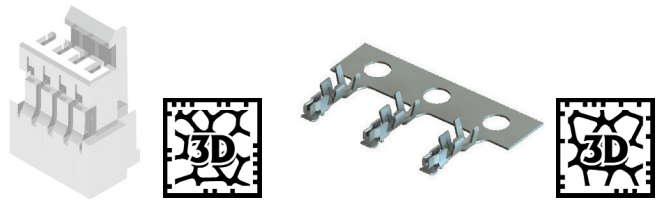


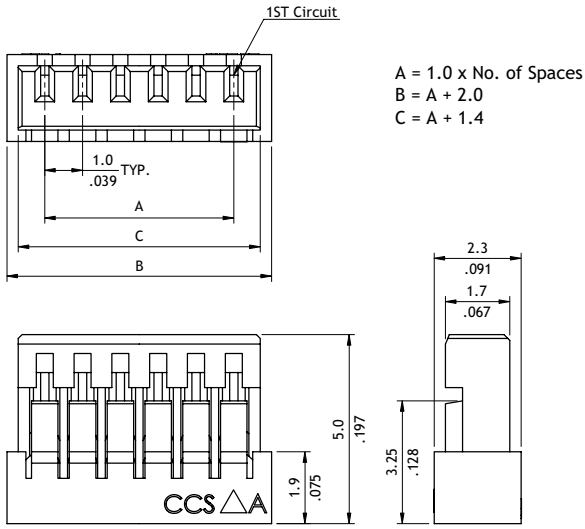
CI14 Series 1.00mm(.039") Wire to Board Connectors Housing & Terminal

- ⊙ Mate with CI14 Header
- ⊙ Can be used CI14 crimp clip terminal
- ⊙ Insulator: Glass filled polyester UL 94V-0, Color Nature
- ⊙ Terminal: Tin plated Phosphor Bronze

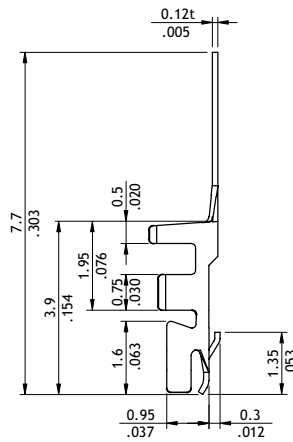
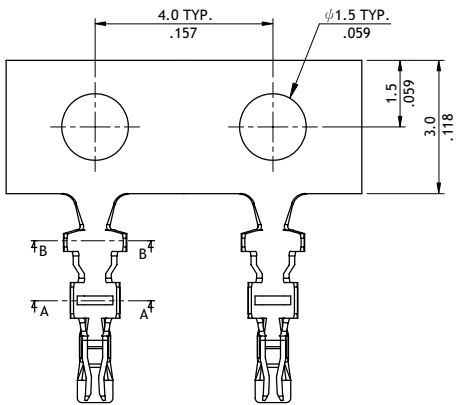
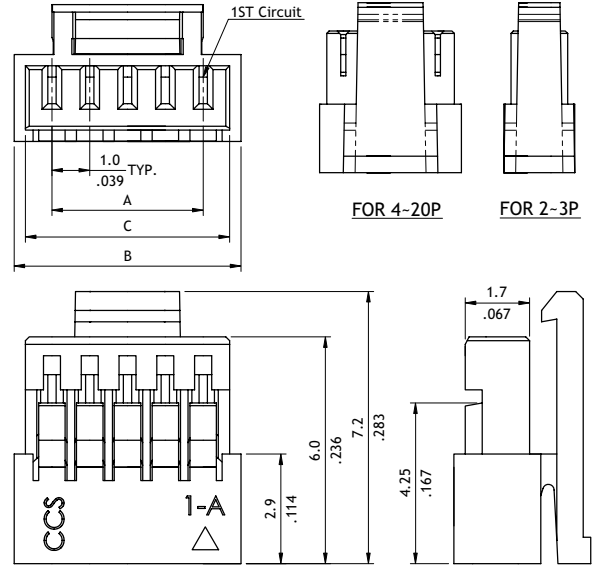


RoHS Compliant

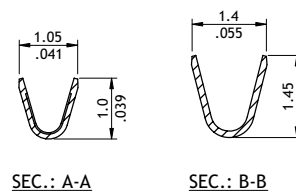
Without Latch Type



With Latch Type



Wire Range	Insulation Diameter	Reel Q'ty
AWG #28-#32	0.65-0.92(mm) (.026-.036)	16,000 PCS.



Ordering Code

1 2 3 4 5
CI14 20S 000A - NH

- ① Series No.
- ② No. of Circuits: 02 to 20
- ③ S = Housing
- ④ 000A = Without Locking Latch
L000 = With Locking Latch
- ⑤ -NH = Halogen-Free

1 2 3 4 5 6
CI14 T01 1PE 0

- ① Series No.
- ② Type: T01 = AWG #28 ~ #32
- ③ Plating Code: 1 = Tin plated
- ④ Material: P = Phosphor Bronze
- ⑤ Plating Method: E = Pre-tinned
- ⑥ Other Options: 0 = Standard