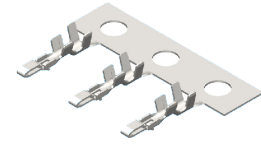
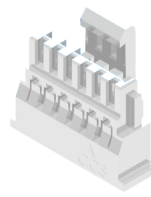


CI16 Series 1.00mm(.039") Wire to Board Connectors Housing & Terminal

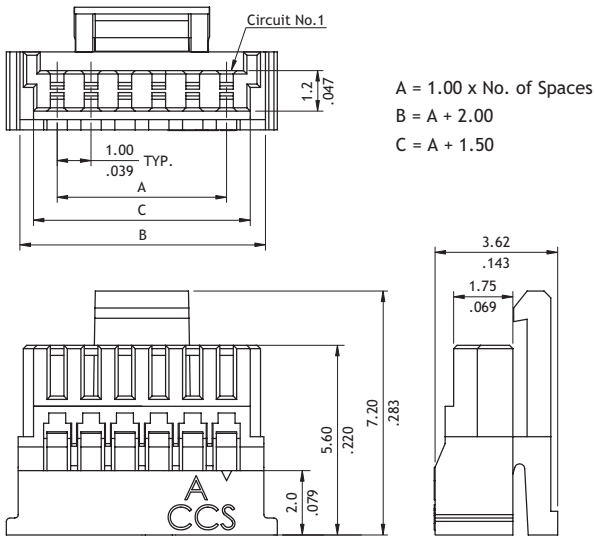
- ⊙ Mate with CI16 header
- ⊙ Can be used CI16 crimp clip terminal
- ⊙ Insulator: Nylon 66 UL 94V-0, Color Nature



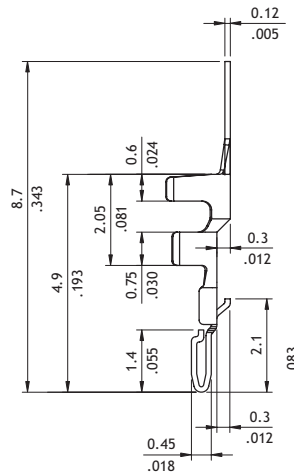
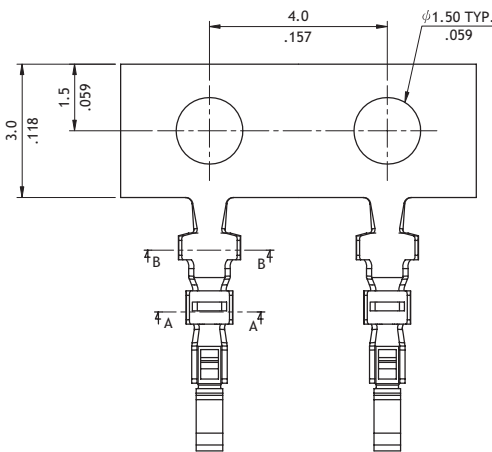
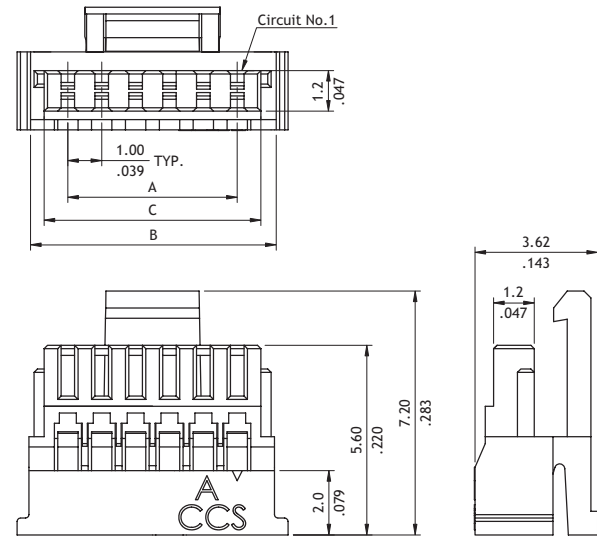
NEW



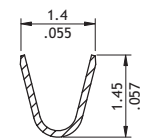
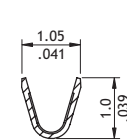
P/N CI16**SL00A-NH



P/N CI16**SL000-NH



Wire Range	Insulation Diameter	Reel Qty
AWG #28-#32	0.78-0.92(mm) (.031-.036)	16,000 PCS.



Ordering Code

1 **2** **3** **4** **5** **6**
CI16 20 SL 000 - NH

- 1** Series No.
- 2** No. of Circuits: 02 to 20
- 3** S = Connector housing
- 4** L = With Locking Latch
- 5** Other Options: 000 = Standard
00A = Type 1
- 6** -NH = Halogen-Free

1 **2** **3** **4** **5** **6**
CI16 T01 1 PE 0

- 1** Series No.
- 2** Type: T01 = AWG #28 ~ #32
- 3** Plating Code: 1 = Tin plated over Nickel
- 4** Material: P = Phosphor Bronze
- 5** Plating Method: E = Pre-tinned
- 6** Other Options: 0= Standard