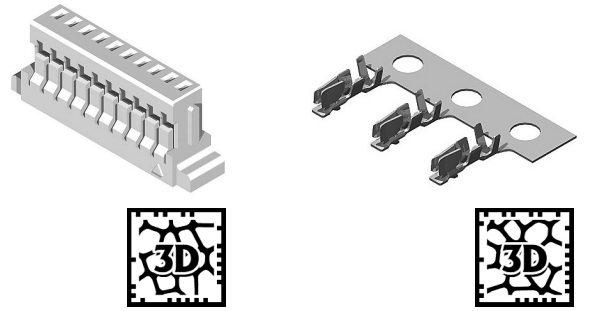
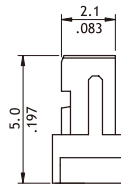
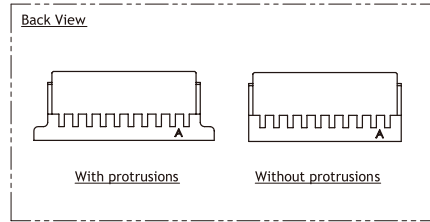
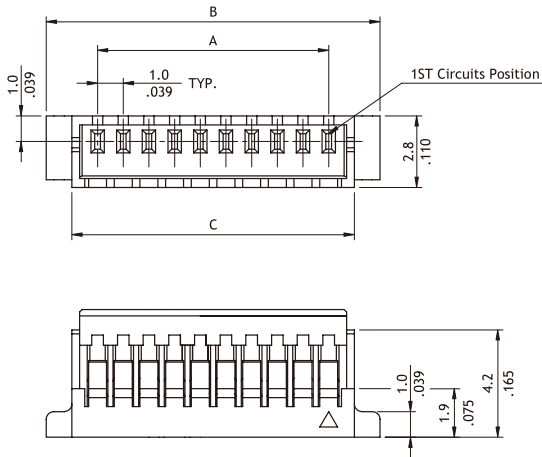


CI11 Series 1.00mm(.039") Single Row Wire to Board Housing & Terminal

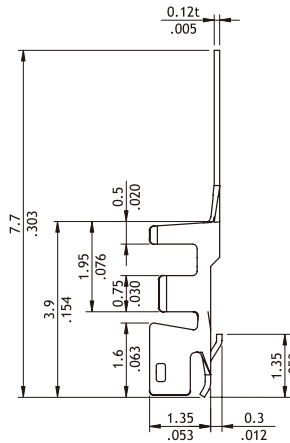
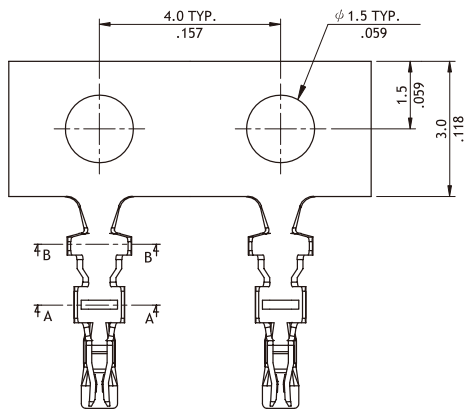
- Insulator: Polyester UL 94V-0, Color Nature
- Terminal: Tin plated, Phosphor Bronze
- Mate with CI11 headers
- Compact design
- Protrusions design for easy pull out



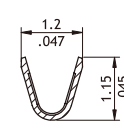
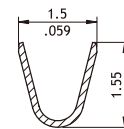
RoHS Compliant



A = 1.0 x No. of Spaces
 B = A + 4.0
 C = A + 2.0



Wire Range	Insulation Diameter	Reel Q'ty
AWG #28-#32	0.4-0.8(mm) (.016-.031)	16,000 PCS



Ordering Code

1 2 3 4 5 6
CI11 15 S 0 000 - NH

- 1 Series No.
- 2 No. of Circuits: 02 to 15, 18, 20, 26
- 3 S = Housing
- 4 0 = With Protrusions
N = Without Protrusion
- 5 Other Options: 000 = Standard
*Special options consult manufacturer
- 6 -NH = Halogen-Free

1 2 3 4 5 6
CI11 T01 1 P P 0

- 1 Series No.
- 2 Type: T01 = AWG #28 ~ #32
- 3 Plating Code:
1 = Tin over Nickel
- 4 Material: P = Phosphor Bronze
- 5 Plating Method: P = Post Plating
- 6 Other Options: 0 = Standard