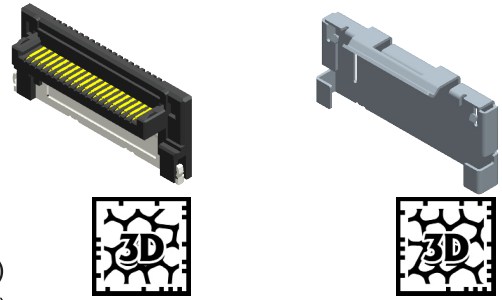


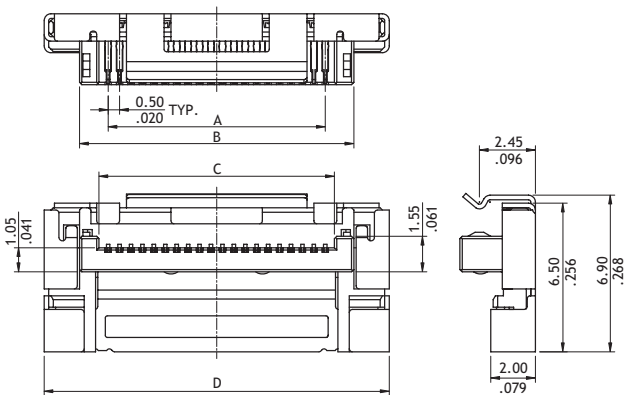
CVS4 Series 0.50mm(.020") M/H=4.00 LVDS Plug for NB

- Mating Height: 4.0mm
- Mate with CVS5 Socket
- Product application: NB, LCD
- Insulation: High temperature plastic UL 94V-0, Color Black
- Top shell: Stainless Steel
- Bottom shell: Stainless Steel
- Contact: Copper Alloy
- Coaxial Cable: AWG #34/#36/#40(O.D. must be less than 0.38mm)
- Wire Cable: AWG #32/#34/#36/#40(O.D. must be less than 0.5mm)



RoHS Compliant  

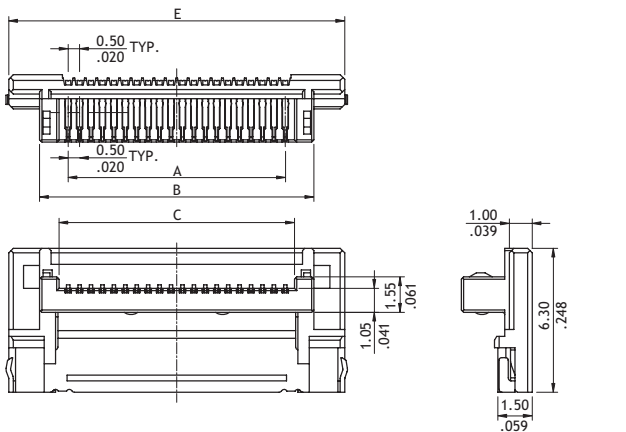
After Assembly
P/N CVS4***P1T0-NH



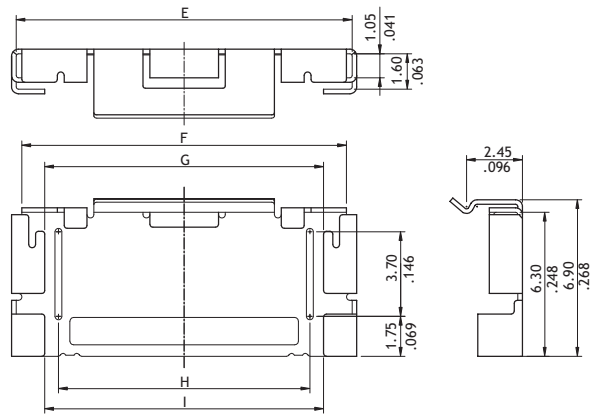
Circuits	Dimension				
	A	B	C	D	E
20	9.50(.374)	12.00(.472)	10.30(.405)	15.1(.594)	14.70(.578)
30	14.50(.571)	17.00(.670)	15.30(.602)	20.1(.791)	19.70(.776)
40	19.50(.758)	22.00(.866)	20.30(.799)	25.1(.988)	24.70(.972)

Circuits	Dimension			
	F	G	H	I
20	14.2(.559)	12.3(.484)	11.0(.433)	12.4(.488)
30	19.2(.756)	17.3(.681)	16.0(.630)	17.4(.685)
40	24.2(.953)	22.2(.874)	21.0(.827)	22.2(.874)

Semi-finished product
P/N CVS4***P000-NH



Shell
P/N CVS4**0S000



Ordering Code

1 **2** **3** **4** **5**
CVS4 40 2 P000 - NH

- ① Series No.
- ② No. of Circuits: 20,30,40
- ③ Plating code:
2 = Gold flash over Nickel
W = Selective 3μ"Min. Gold plated on contact area
- ④ Contact type: P000 = Plug
- ⑤ -NH = For Lead Free IR process and Halogen-Free

1 **2** **3** **4**
CVS4 40 0 S000

- ① Series No.
- ② No. of Circuits: 20,30,40
- ③ Plating code: 0 = Non Plated
- ④ Other Options: S000 = Shell

CVS

LVDS CONNECTOR