

Ordering Code

③④ CF23 \*\* \* D 0 \* 0 -NH  
 ① ② ③ ④ ⑤ ⑥ ⑦ ⑧

- ① Series No.
- ② No. of Circuits
- ③ Plating code:  
 1= 3.05μm(120μ") Min. Tin  
 over 0.76μm(30μ") Nickel(Matte Tin Finish)  
 2= Gold flash plated over 50μ"min. Nickel
- ④ Contact style: D= Downside contact
- ⑤ Color: 0= Nature
- ⑥ Packing option: R= Tape & Reel  
 T= Tube Packing
- ⑦ Option: 0= With Logo (Standard)
- ⑧ Other option:  
 -NH= For Lead Free IR Processes  
 and Halogen-Free


A = 0.50 \* No. of Spaces  
 B = A + 6.2  
 C = A + 1.1

①②③ \* Available in 5 through 40 circuits

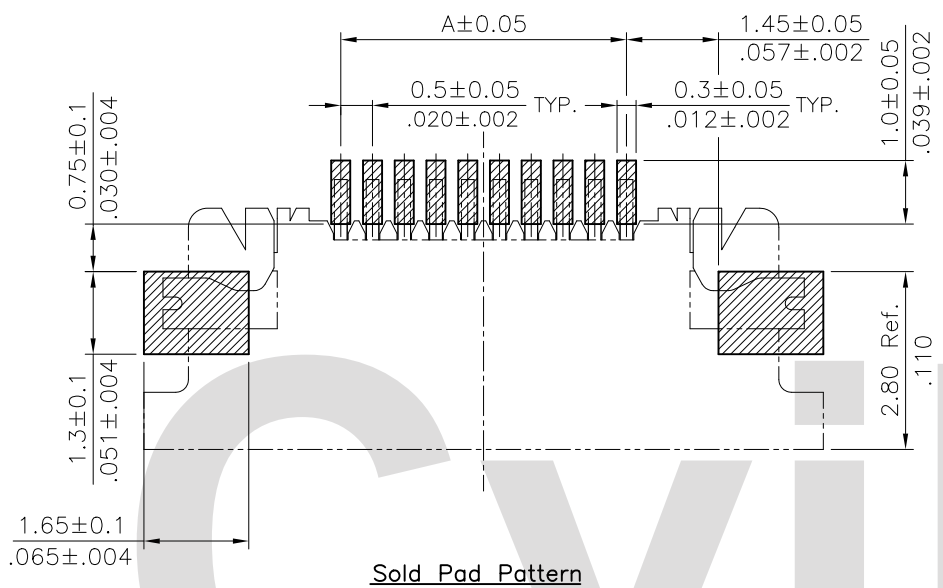
Notes :

- ③ \* Body : High temperature plastic UL 94V-0,  
 Color Nature
- ③ \* Slider : High temperature plastic UL 94V-0,  
 Color Black
- \* Contact : Phosphor Bronze  
 With Matte Tin plated
- \* Fixed tab : Brass, with Matte Tin plated
- \* For Lead-Free IR Reflow process

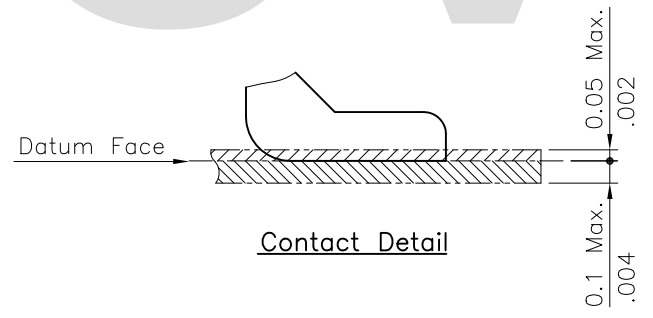
Halogen-Free  
 Lead Free Process  
 RoHS Compliant

④	Karen	4/03-15'	ECNT115075/ECRT115016		DATE	UNIT: mm / inch	TITLE: 0.50mm(.031") ZIF FFC/FPC DOWNSIDE CONTACT SLIM SURFACE MOUNT CONNECTOR	 瀚荃股份有限公司 Cvilux Corporation
③	Steven	4/8-11'	ECR11021-0/ECN11065	DRAWN BY:	Karen	4/7-15'		
②	Sun	10/20-09'	ECR09127-0/ECN09459	ENGINEER:	Sun	4/7-15'	FINISH:	SCALE 8 / 1 SHEET 1 OF 3
①	Karen	7/01-09'	ECN09276	CHECKED BY:	Eisley	4/7-15'		
SYM	NAME	DATE	REVISIONS	APPROVED BY:	Eisley	4/7-15'		

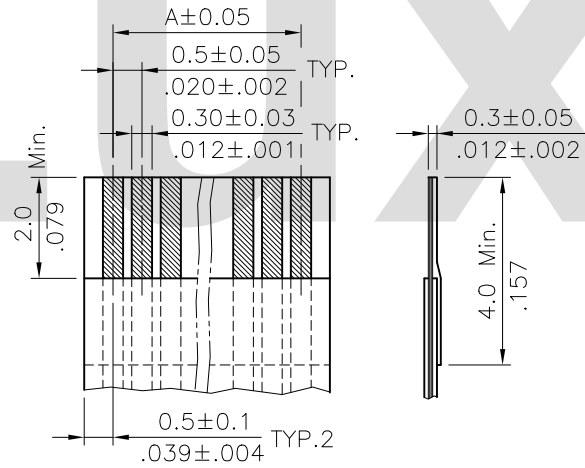
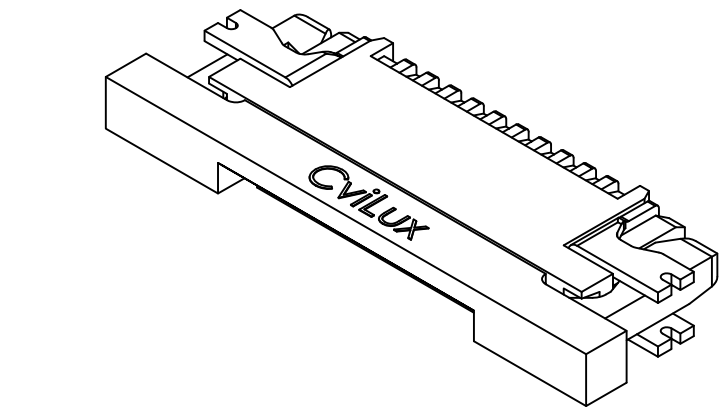
CVILUX CORP  
 2015.04.09  
 ISSUED



Sold Pad Pattern



Contact Detail



Accommodated FFC/FPC

Halogen-Free  
Lead Free Process  
RoHS Compliant

4	Karen	4/03-15'	ECNT115075/ECRT115016	 <b>2015.04.09</b> <b>ISSUED</b>		DATE	UNIT: mm / inch	TITLE: 0.50mm(.031") ZIF FFC/FPC DOWNSIDE CONTACT SLIM SURFACE MOUNT CONNECTOR  MATERIAL:  FINISH:	瀚荃股份有限公司 CviLux Corporation	DRAWING NO.	CF2330SE	PART NO.	CF23***D0*0-NH	
3	Steven	4/8-11'	ECR11021-0/ECN11065		DRAWN BY:	Karen	4/7-15'			TOLERANCE UNLESS OTHERWISE SPECIFIED	SCALE	8 / 1	SHEET	2 OF 3
2	Sun	10/20-09'	ECR09127-0/ECN09459		ENGINEER:	Sun	4/7-15'			.X ± 0.15/.006 X' ± 1'				
5	Karen	7/01-09'	ECN09276		CHECKED BY:	Eisley	4/7-15'			.XX ± 0.10/.004 .X' ±				
SYM	NAME	DATE	REVISIONS		APPROVED BY:	Eisley	4/7-15'			.XXX ± 0.05/.002 .XX' ±				

