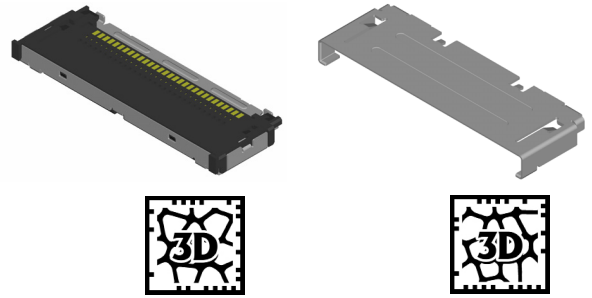
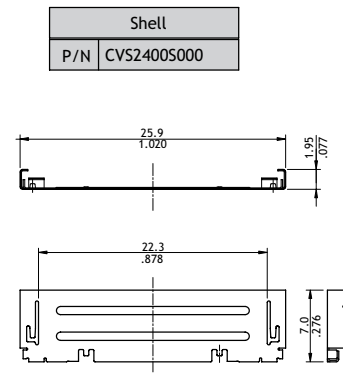
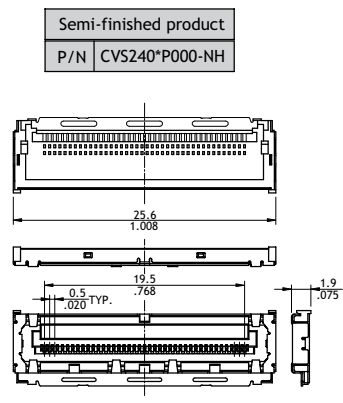
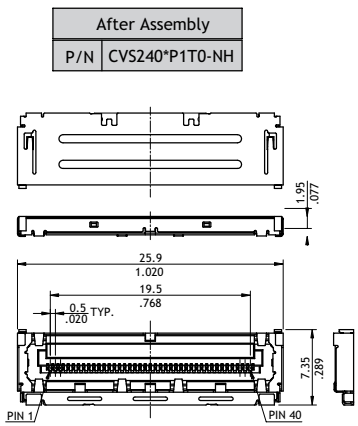
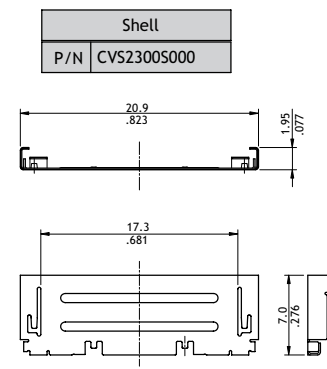
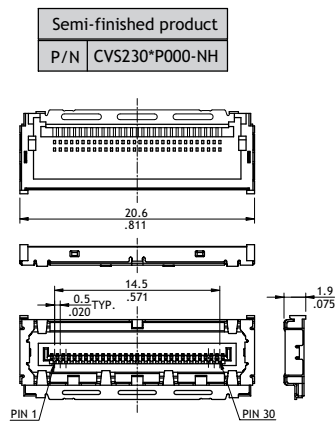
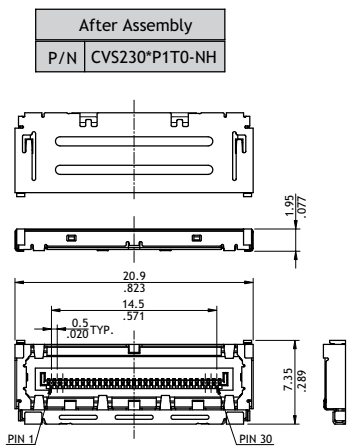


CVS2 Series 0.50mm(.020") M/H=2.00 LVDS Plug for NB

- Mating Height: 2.0mm
- Mate with CVS3 Socket
- Product application: Laptop PC, NB
- Insulation: High temperature plastic UL 94V-0, Color Black
- Top shell: Stainless Steel
- Bottom shell: Copper Alloy
- Contact: Copper Alloy
- Applicable Cable: (O.D. must be less than 0.4mm)
- Coaxial Cable: AWG #36~#42
- Wire Cable: AWG #32



RoHS Compliant



Ordering Code

① **CVS2** ② **40** ③ **2** ④ **P000** ⑤ **-NH**

- ① Series No.
- ② No. of Circuits: 30,40
- ③ Plating code:
2 = Gold flash over Nickel
D = Selective 5μ "Min. Gold plated on contact area
- ④ Contact type: P000 = Plug
- ⑤ -NH = For Lead Free IR process and Halogen-Free

① **CVS2** ② **40** ③ **0** ④ **S000**

- ① Series No.
- ② No. of Circuits: 30,40
- ③ Plating code: 0 = Non Plated
- ④ Material: S000 = Shell

CVS

LVDS CONNECTOR