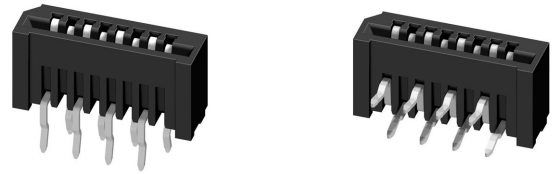
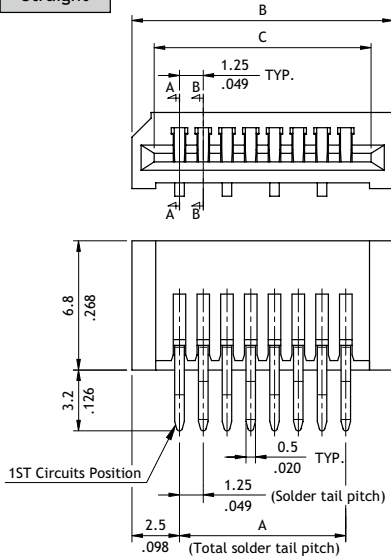


**CF12 Series 1.25mm(.049")H=4.00/6.80 DIP LIF FFC/FPC Connectors**

- Tin plated contacts with kinked tail
- Insulator: High temperature plastic UL 94V-0, Color Black

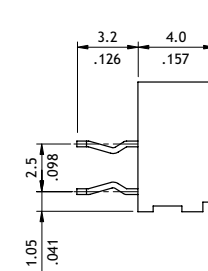
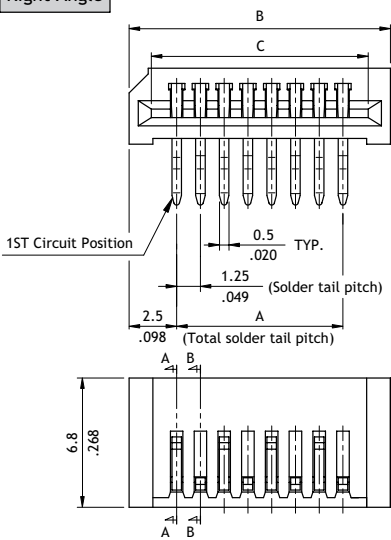


**Straight**



A = 1.25 x No. of Spaces  
 B = A + 5.0  
 C = A + 2.66

**Right Angle**



Recommended P.C. Board Layout

**Ordering Code**

**①** CF **②** 12 **③** 1 **④** V0 **⑤** T **⑥** 0 - **⑦** LF

- ①** Series No.
- ②** No. of Circuits: 03 to 36
- ③** Plating Code:  
1 = Matte Tin over Nickel
- ④** Entry Options:  
V0 = Straight  
H0 = Right Angle
- ⑤** Packing:  
T = Tube
- ⑥** Other Options:  
0 = Standard  
\*Special options consult manufacturer
- ⑦** -LF = For Lead Free soldering process