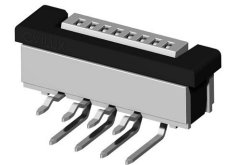
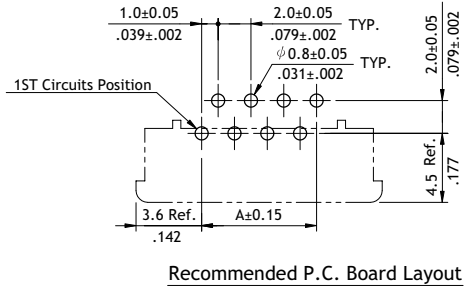
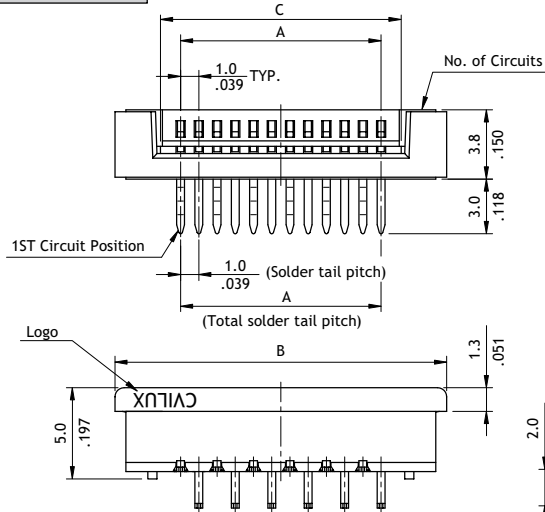


**CF10 Series 1.00mm(.039")H=3.80/5.00 DIP ZIF FFC/FPC Connectors**

- Tin contacts with kinked tail
- Insulator: High temperature plastic UL 94V-0, Color Nature
- Slider: High temperature plastic UL 94V-0, Color Brown / Black

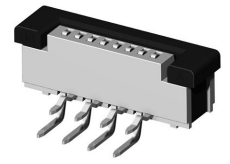
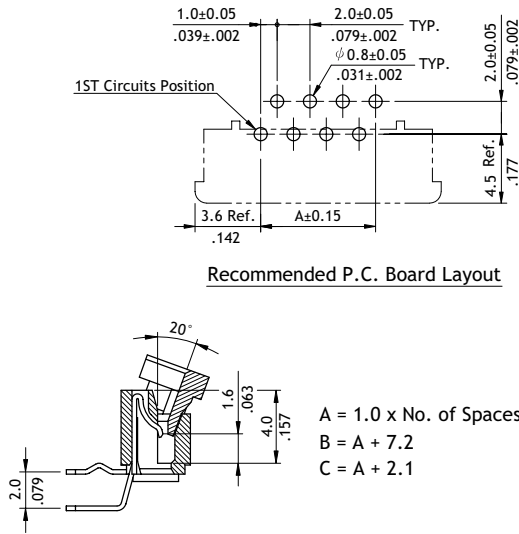
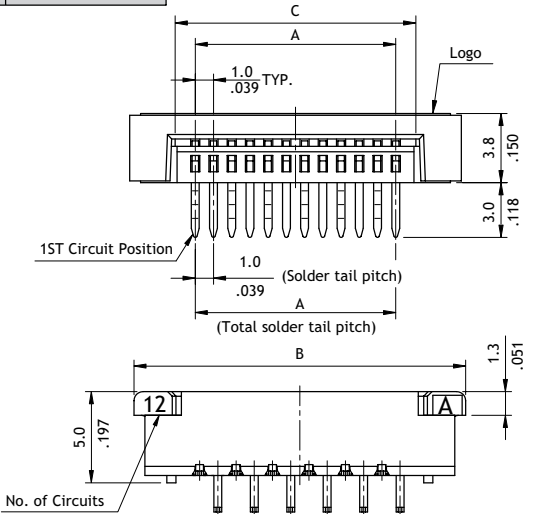


P/N CF10\*\*1U0T0-NH



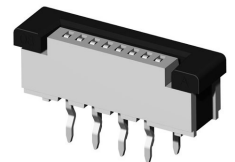
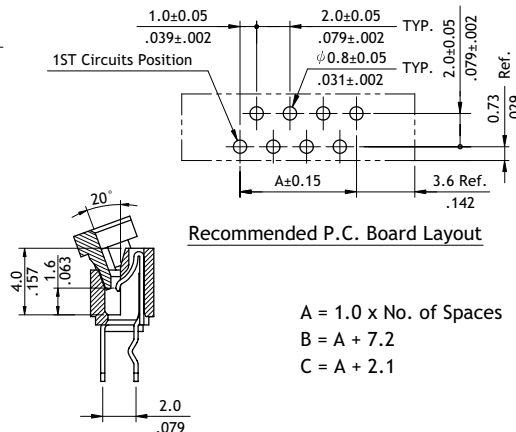
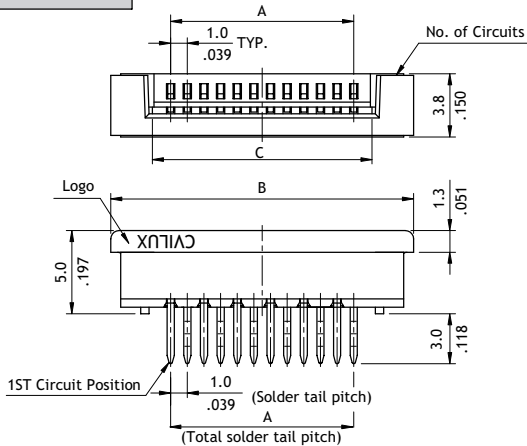
A = 1.0 x No. of Spaces  
 B = A + 7.2  
 C = A + 2.1

P/N CF10\*\*1D0T0-NH



A = 1.0 x No. of Spaces  
 B = A + 7.2  
 C = A + 2.1

P/N CF10\*\*1V0T0-NH



A = 1.0 x No. of Spaces  
 B = A + 7.2  
 C = A + 2.1